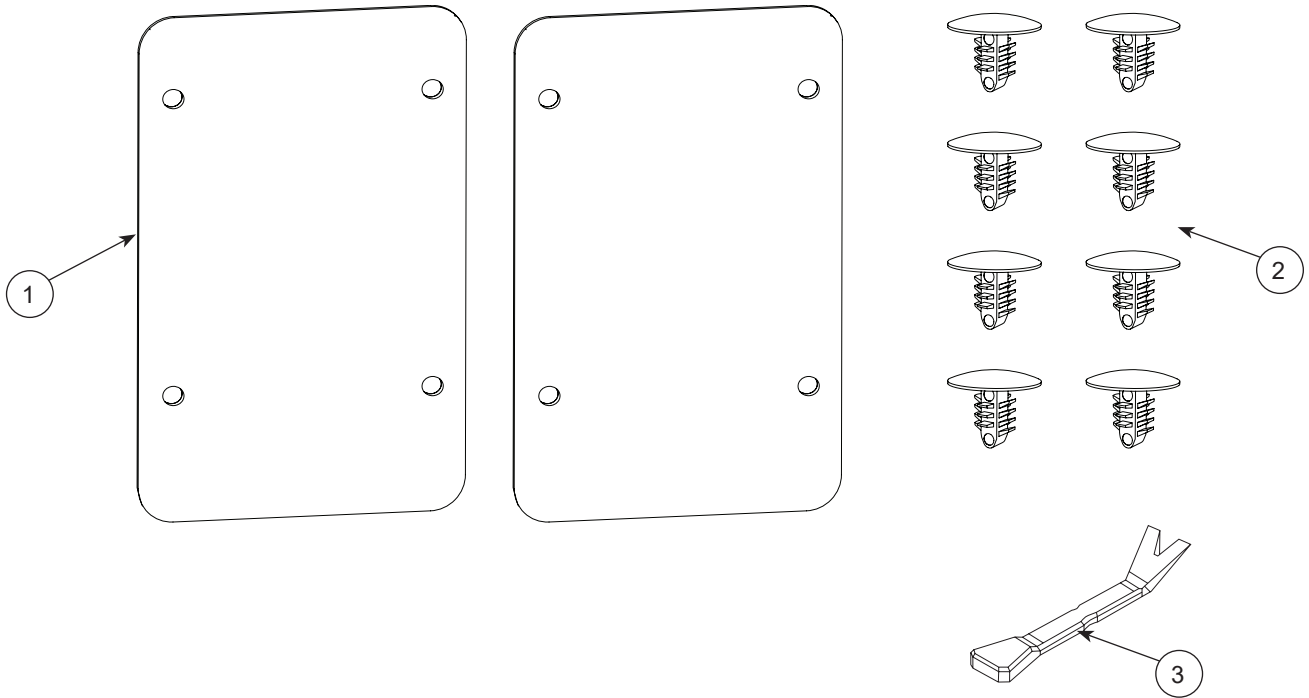


3500453 Mounting Plate Cover Service Kit



Item No.	Description	Qty
1	Mounting Plate Cover	2
2	Push Rivet	8
3	Pry Bar	1

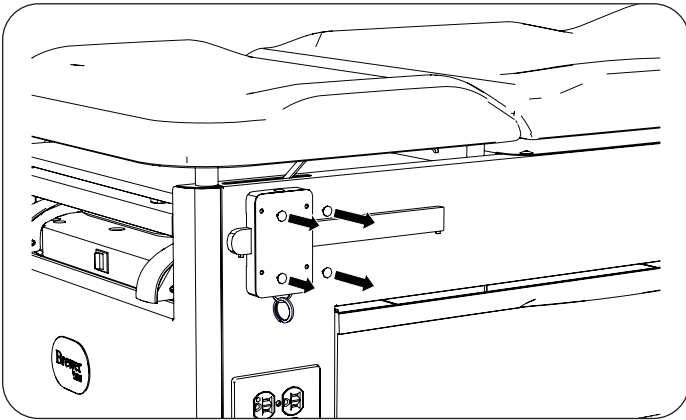
Hardware shown not to scale.

Registering your Brewer product is easy.
Simply go to brewercompany.com/warranty-registration, fill out the information fields and click send.
By registering your product today, you are better safeguarding your investment in the future.

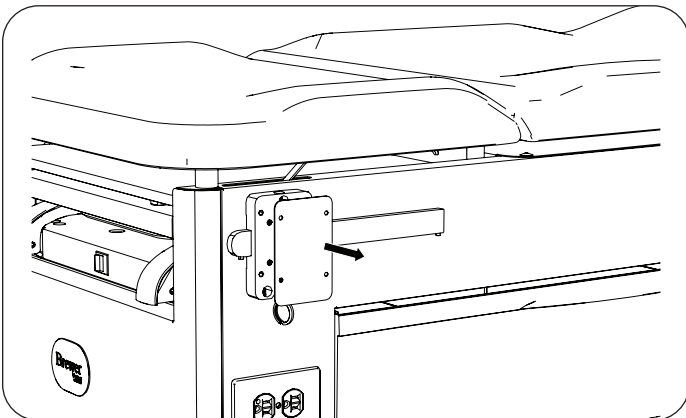
The Brewer Company, LLC
N88 W13901 Main Street, Suite 100
Menomonee Falls, WI 53051
P 800.558.8777
F 262.251.2332
E customerservice@brewercompany.com
www.brewercompany.com

Mounting Plate Cover

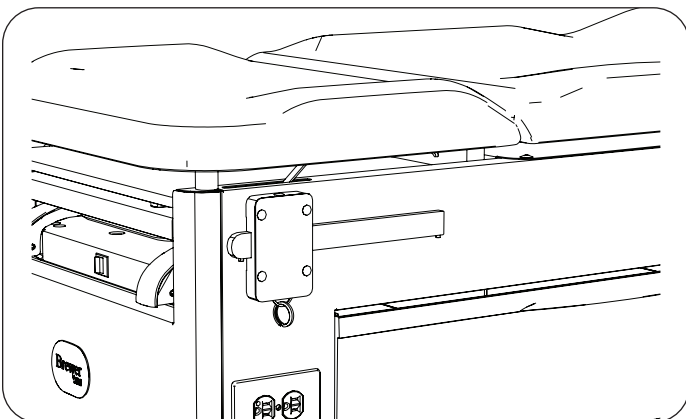
1. Using pry bar, remove four push rivets attaching old mounting plate cover to mounting plate.



2. Remove old mounting plate cover.



3. Attach new mounting plate cover to mounting plate using four new push rivets.



4. Repeat for other side of table.