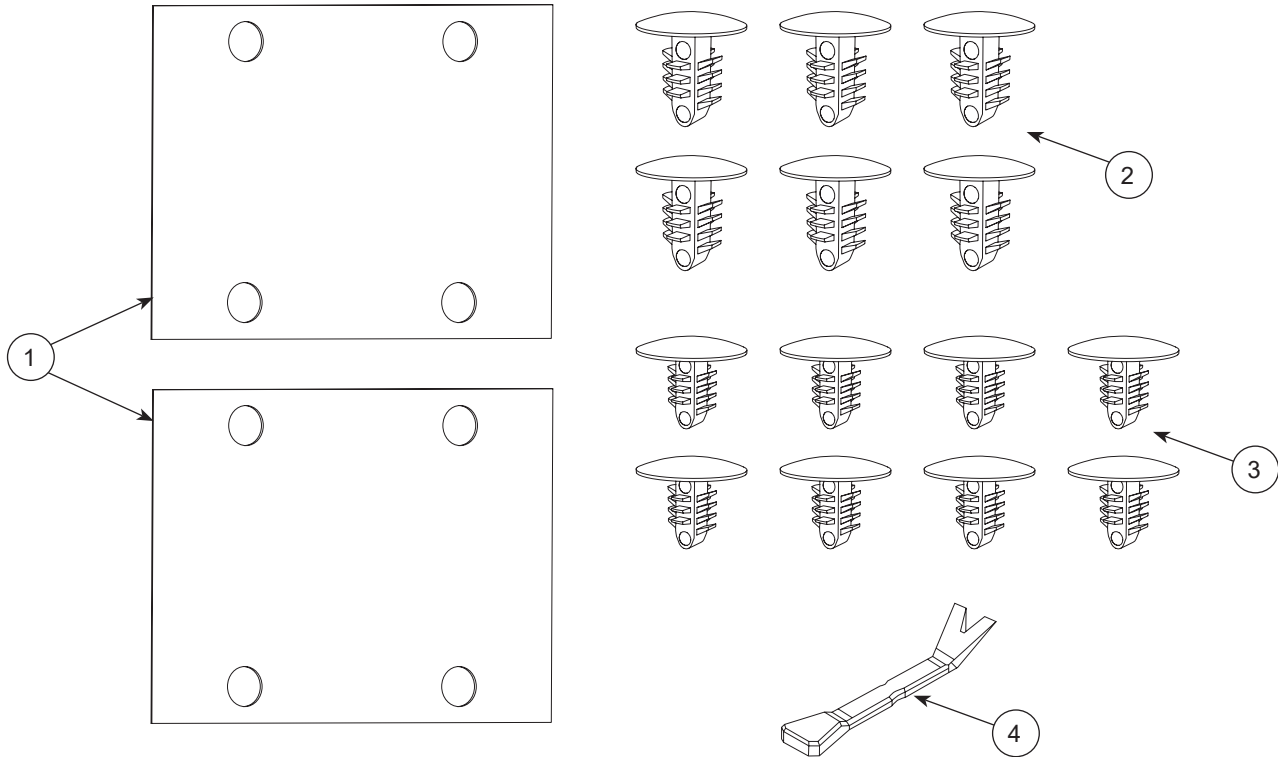


3500452 Knee Crutch Glide Service Kit



Item No.	Description	Qty
1	Glide	2
2	Large Push Rivet	6
3	Small Push Rivet	8
4	Pry Bar	1

Tools Required

1. Socket Wrench
2. Socket Extension 6"
3. Hex Head Socket 7/16"

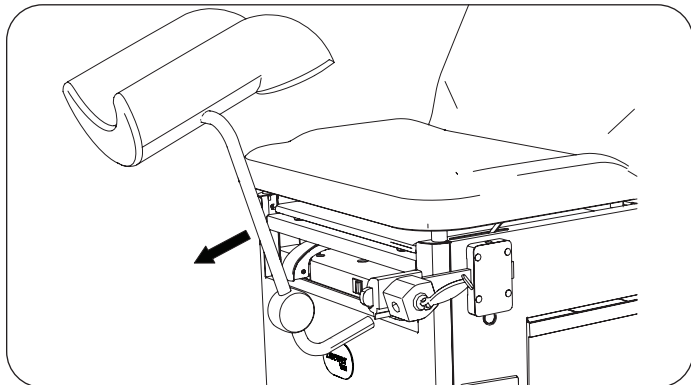
Hardware shown not to scale.

Registering your Brewer product is easy.
Simply go to brewercompany.com/warranty-registration, fill out the information fields and click send.
By registering your product today, you are better safeguarding your investment in the future.

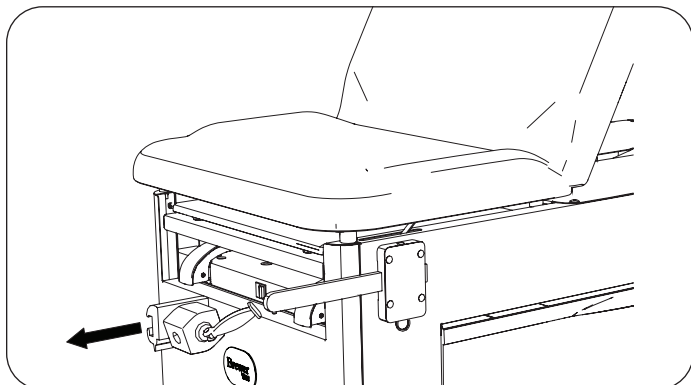
The Brewer Company, LLC
N88 W13901 Main Street, Suite 100
Menomonee Falls, WI 53051
P 800.558.8777
F 262.251.2332
E customerservice@brewercompany.com
www.brewercompany.com

Without Assist Handles

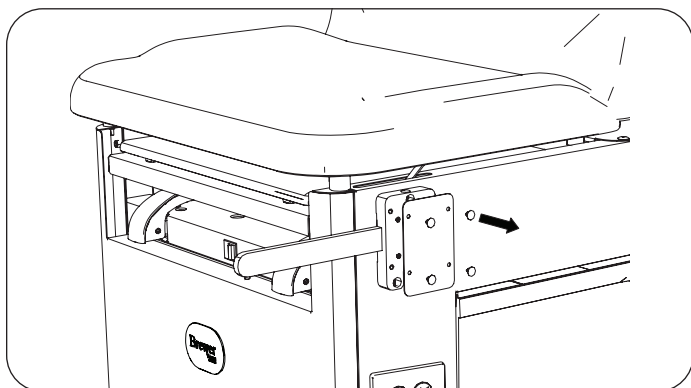
1. Remove knee crutch.



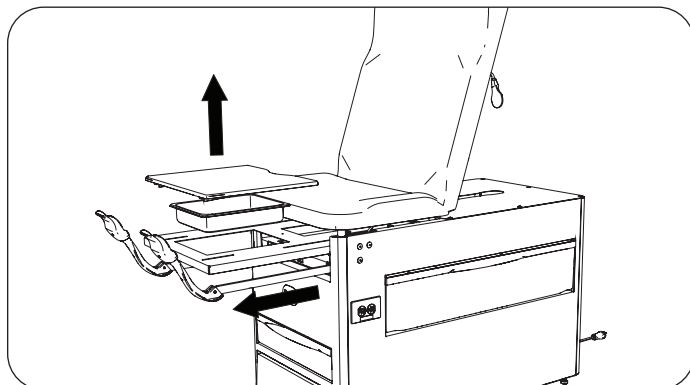
2. Remove knee crutch lock socket.



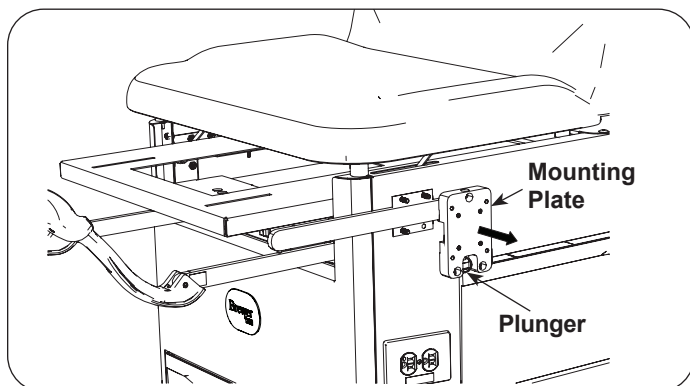
3. Using supplied pry bar, remove four small push rivets attaching mounting plate cover to mounting plate.



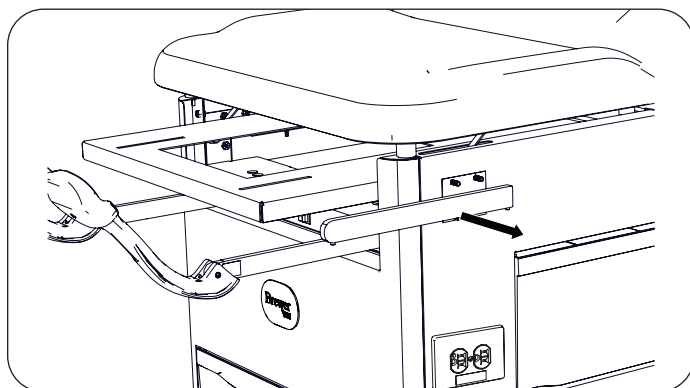
4. To gain access to inside of cabinet, pull out stirrups (if equipped) and leg extension. Remove upholstered pad and debris pan.



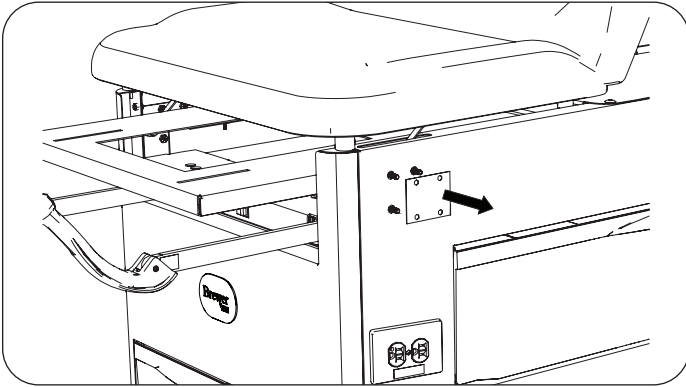
5. From inside of cabinet loosen three hex head bolts attaching mounting plate. Pull plunger downward and remove mounting plate.



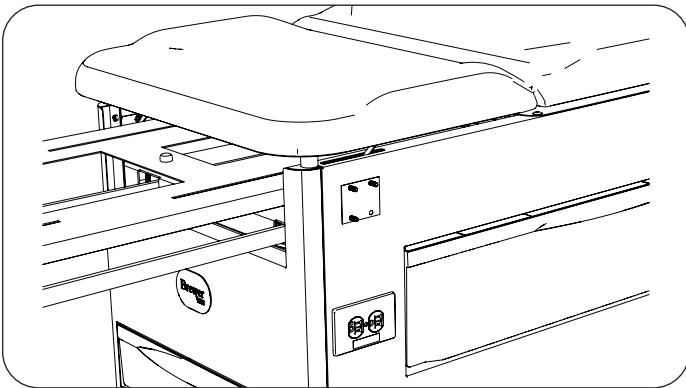
6. Remove beam.



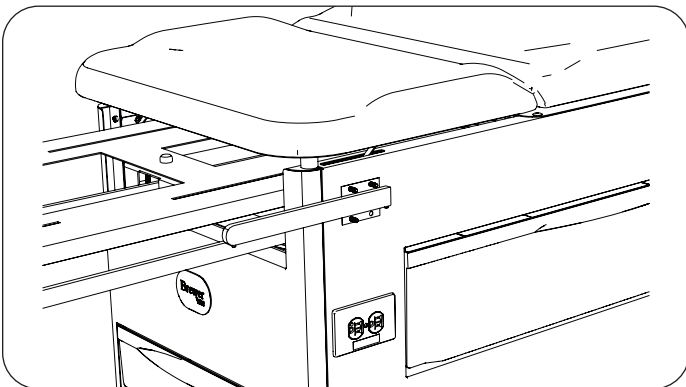
7. Remove old glide.



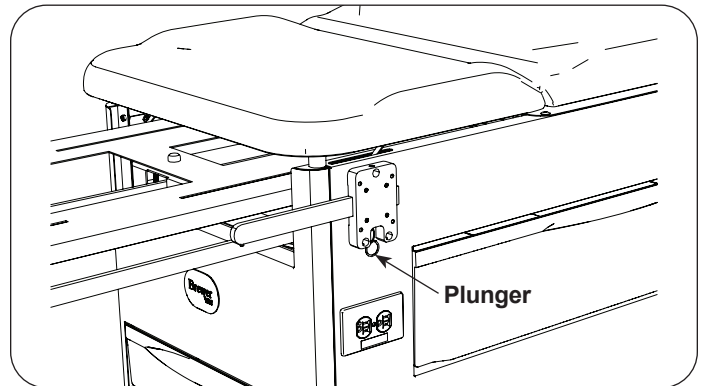
8. Install new glide over screws.



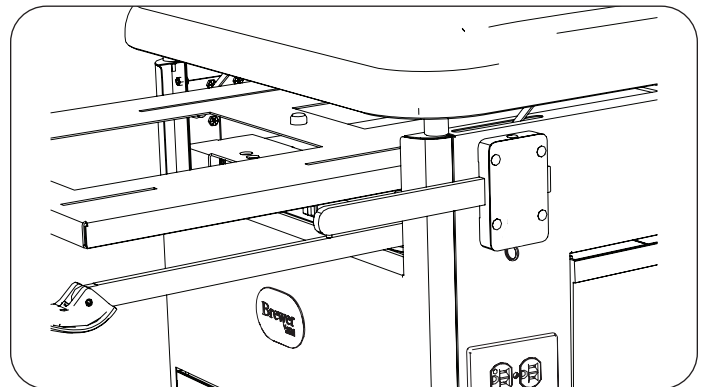
9. Position beam against glide. Round end of beam faces forward, and set screws face downward.



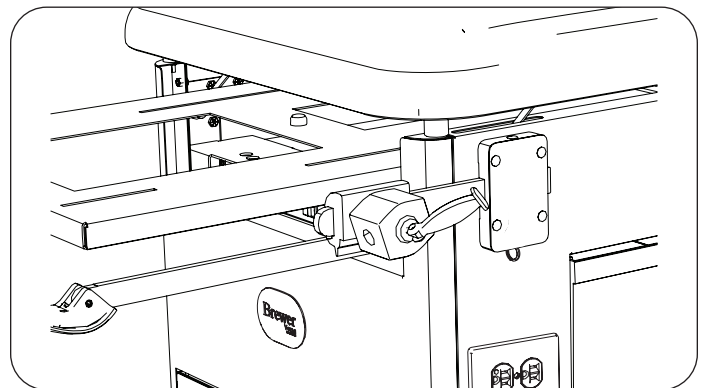
10. Pull plunger downward. Position groove in mounting plate over beam and thread/tighten three hex head screws into mounting plate.



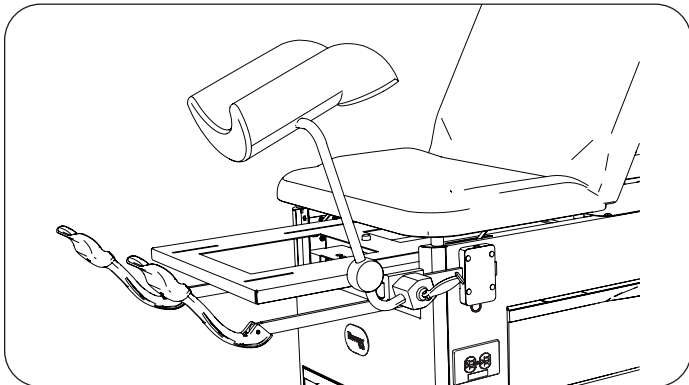
11. Attach mounting plate cover to mounting plate using four new small push rivets.



12. Attach lock socket to beam.



13. Assemble knee crutch to lock socket.

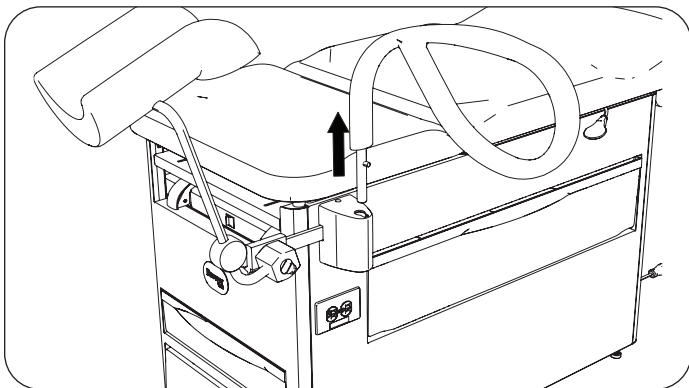


14. Repeat for opposite side of table.

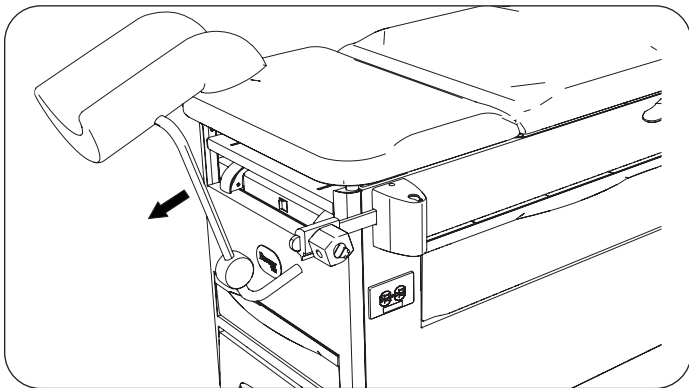
15. Install upholstered pad and debris pan. Push stirrups (if equipped) and leg extension back into table.

With Assist Handles

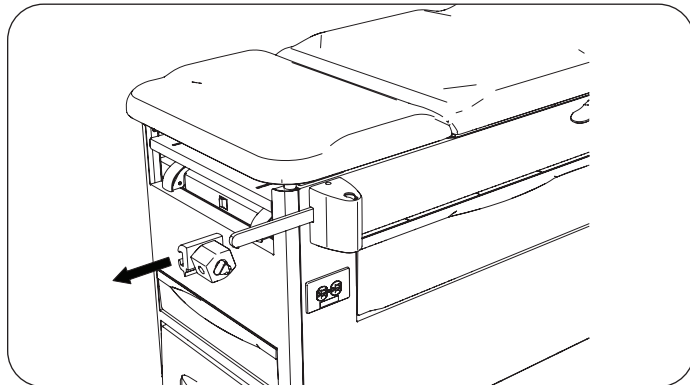
1. Remove assist handle.



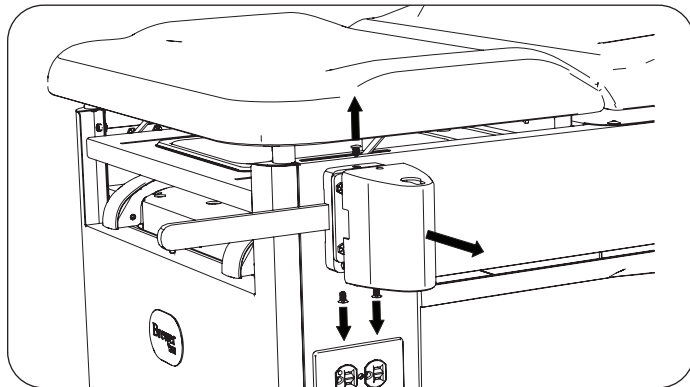
2. Remove knee crutch.



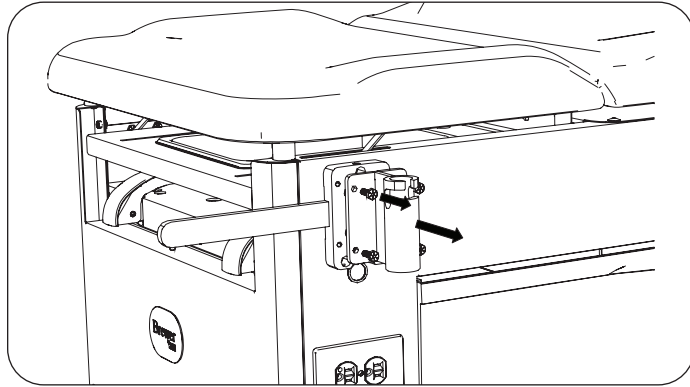
3. Remove knee crutch lock socket.



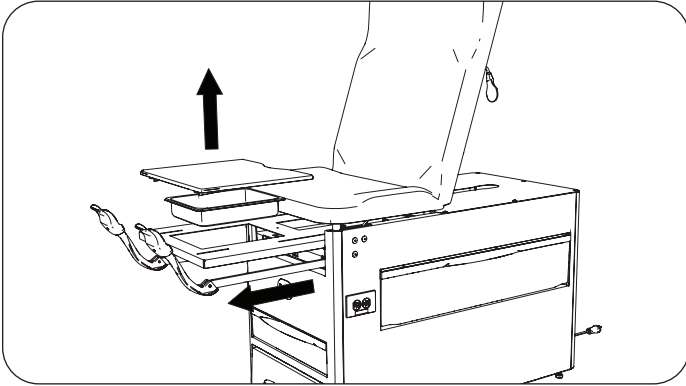
4. Using supplied pry bar, remove three push rivets attaching handle support cover to handle support, one on top and two on bottom of cover. Remove cover.



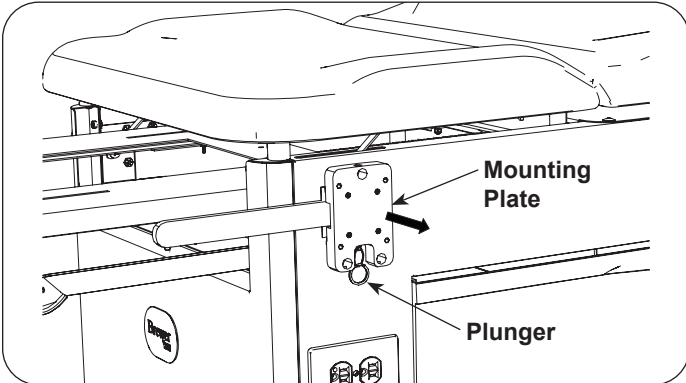
5. Remove four hex head bolts attaching handle support to mounting plate. Remove handle support.



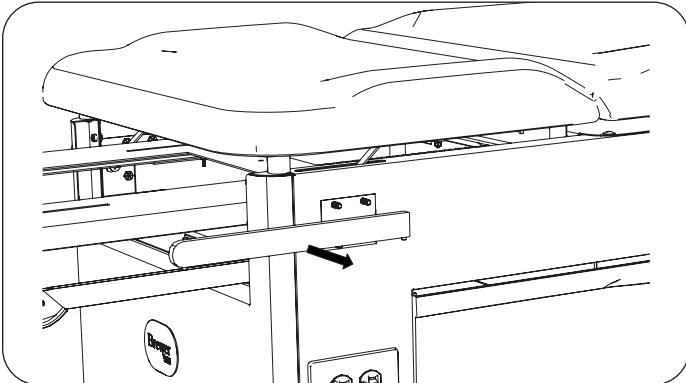
6. To gain access to inside of cabinet, pull out stirrups (if equipped) and leg extension. Remove upholstered pad and debris pan.



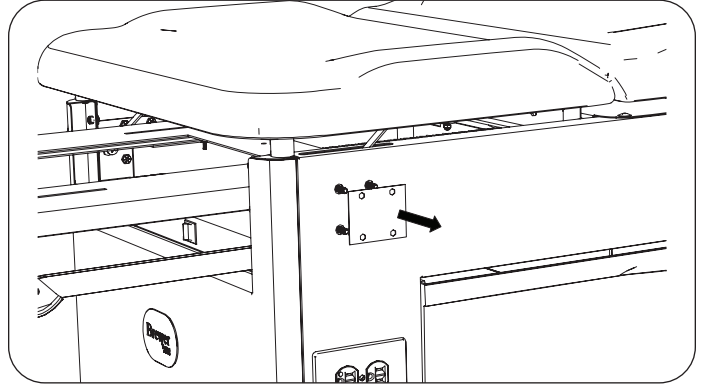
7. From inside of cabinet loosen three hex head bolts attaching mounting plate. Pull plunger downward and remove mounting plate.



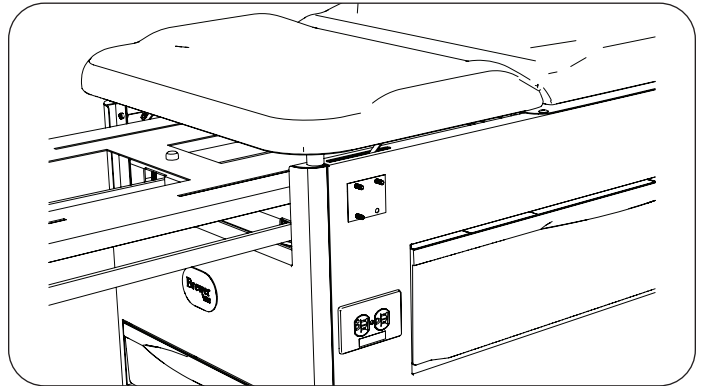
8. Remove beam.



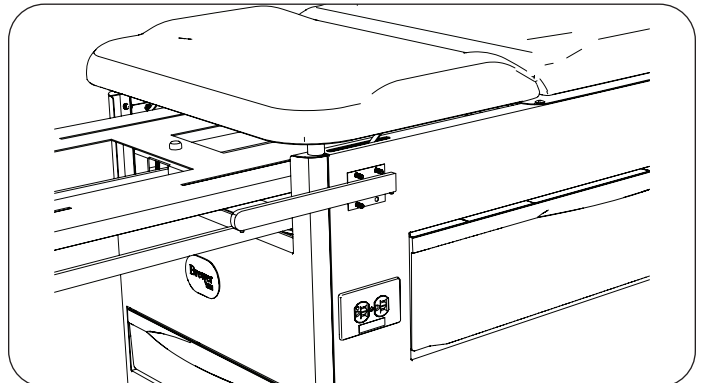
9. Remove old glide.



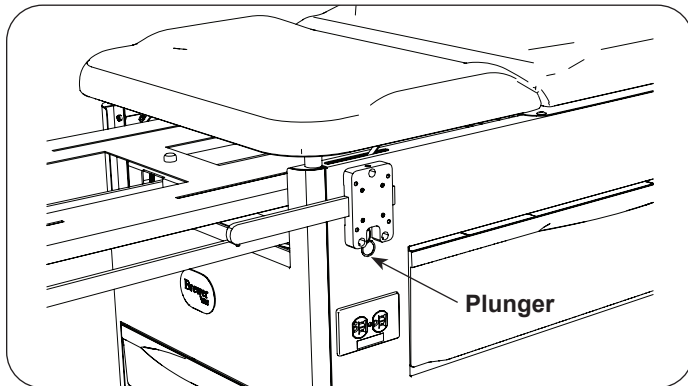
10. Install new glide over screws.



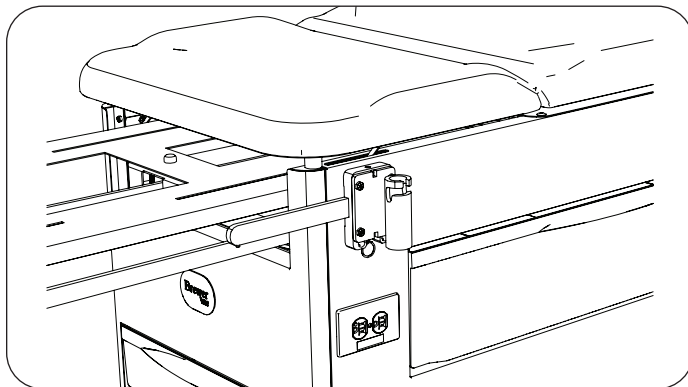
11. Position beam against glide. Round end of beam faces forward, and set screws face downward.



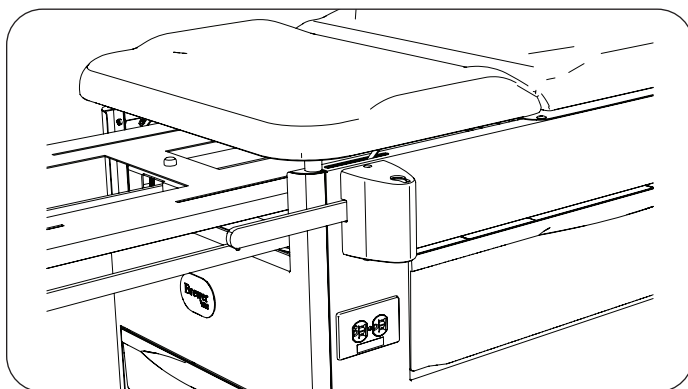
12. Pull plunger downward. Position groove in mounting plate over beam and thread/tighten three hex head screws into mounting plate.



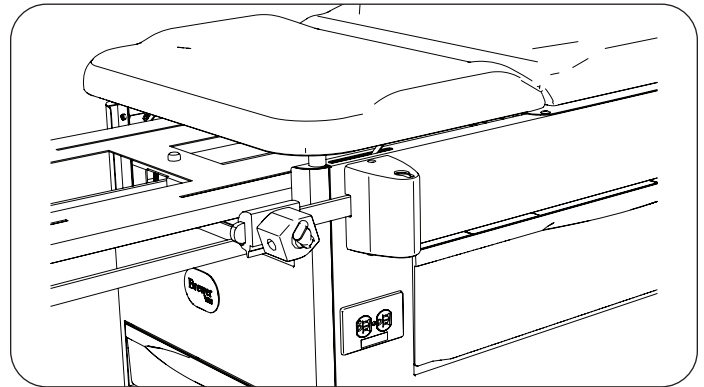
13. Attach handle support to mounting plate using four hex head bolts.



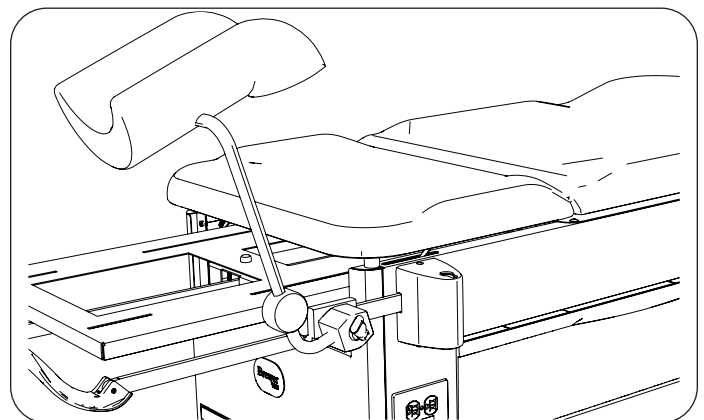
14. Attach handle support cover to handle support using three new large push rivets, one on top and two on bottom of cover.



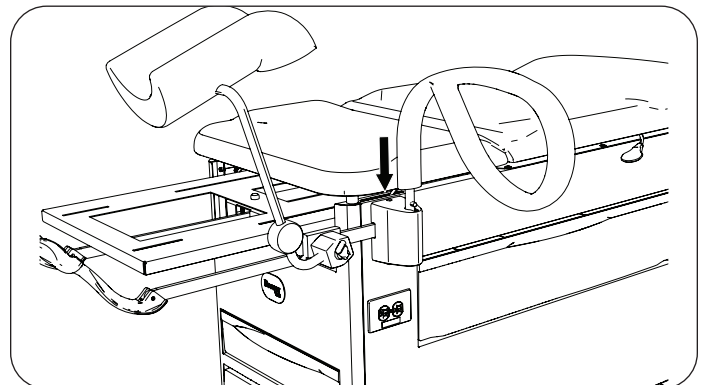
15. Attach lock socket to beam.



16. Assemble knee crutch to lock socket.



17. Install assist handle.



18. Repeat for opposite side of table.

19. Install upholstered pad and debris pan. Push stirrups (if equipped) and leg extension back into table.