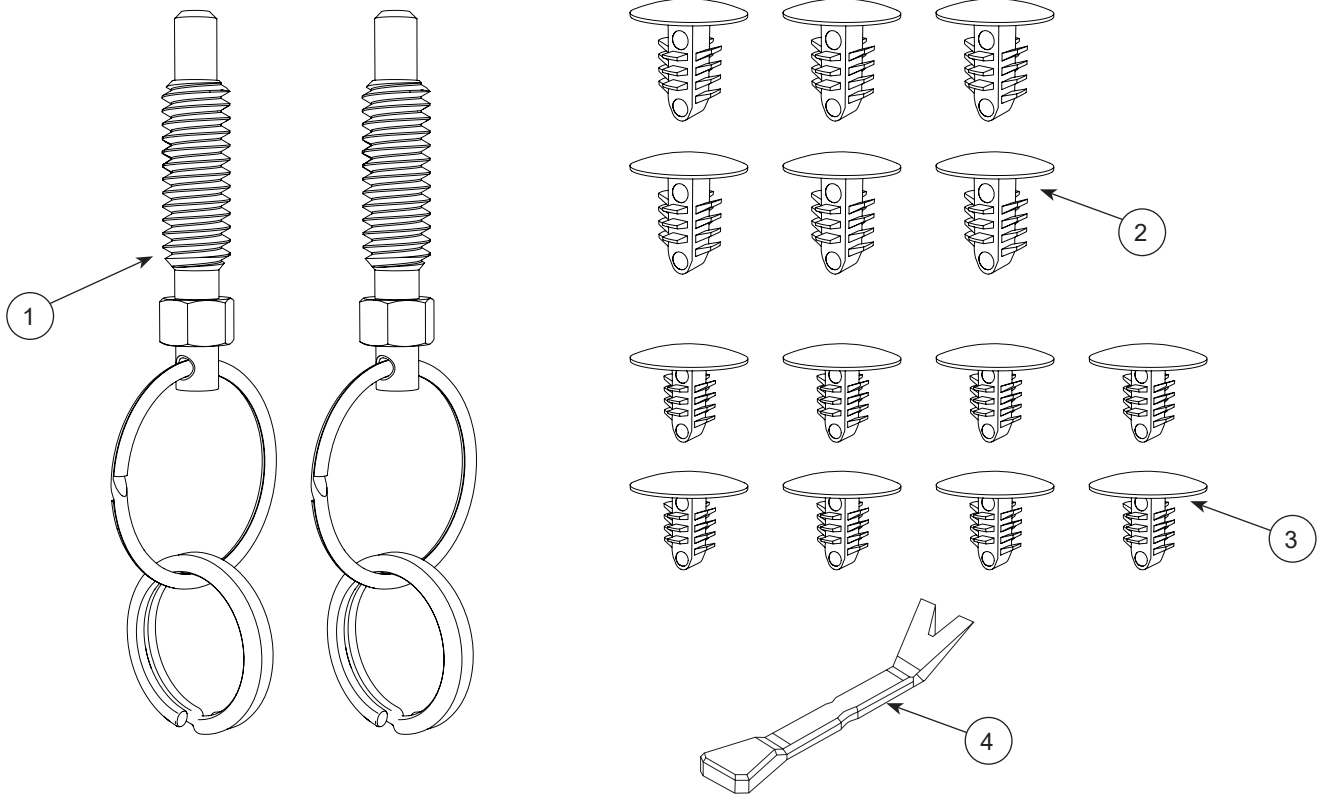


3500451 Knee Crutch Plunger Service Kit



Item No.	Description	Qty
1	Plunger	2
2	Large Push Rivet	6
3	Small Push Rivet	8
4	Pry Bar	1

Hardware shown not to scale.

Tools Required

- 1/4" Open End Hex Wrench
- Socket Wrench
- Socket Extension 6"
- Hex Head Socket 7/16"

Registering your Brewer product is easy.

Simply go to brewercompany.com/warranty-registration, fill out the information fields and click send.

By registering your product today, you are better safeguarding your investment in the future.

The Brewer Company, LLC

N88 W13901 Main Street, Suite 100

Menomonee Falls, WI 53051

P 800.558.8777

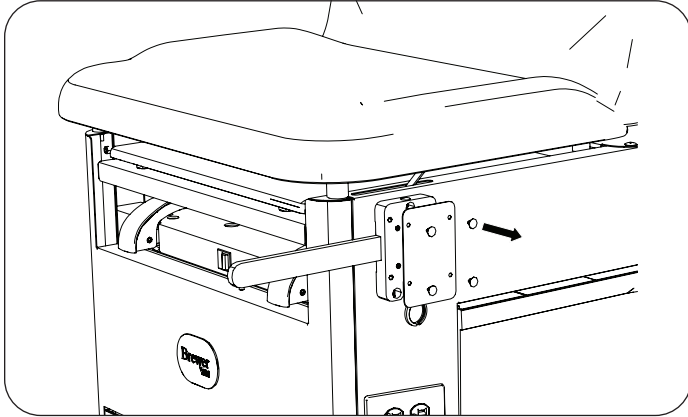
F 262.251.2332

E customerservice@brewercompany.com

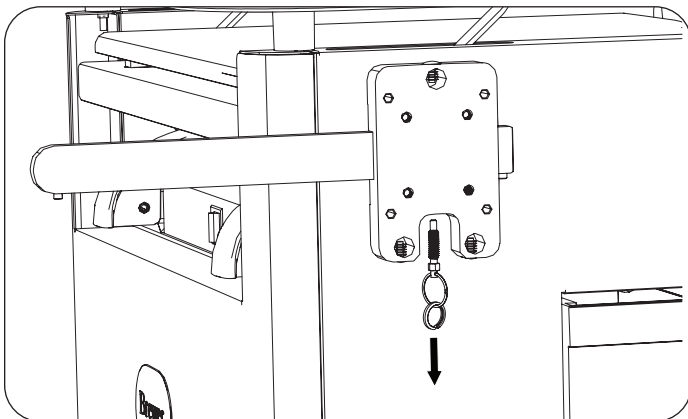
www.brewercompany.com

Without Assist Handles

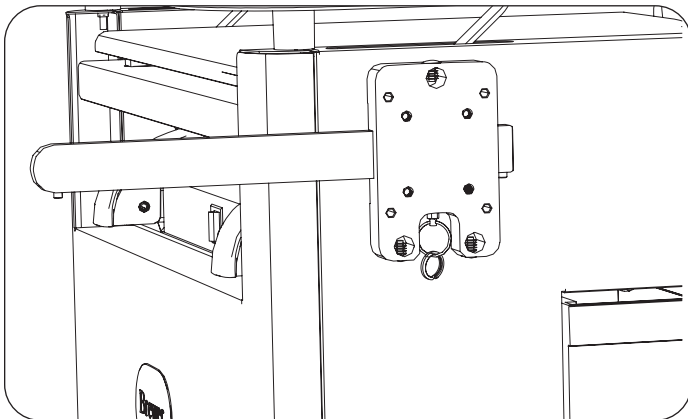
1. Using supplied pry bar, remove four push rivets attaching mounting plate cover to mounting plate. Remove cover.



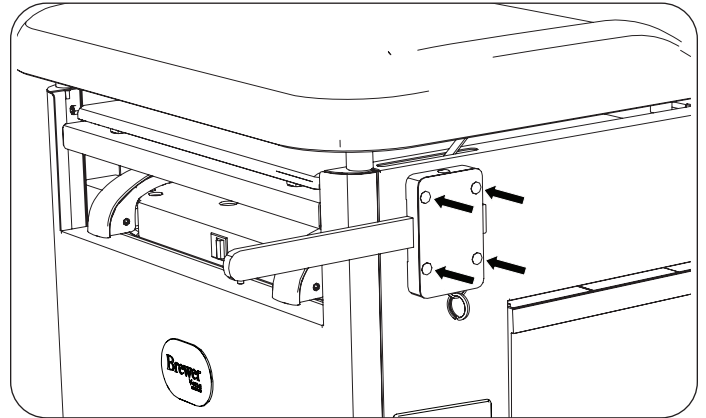
2. Remove plunger from mounting plate using 1/4" open end hex wrench. Discard plunger.



3. Install new plunger using 1/4" open end wrench.



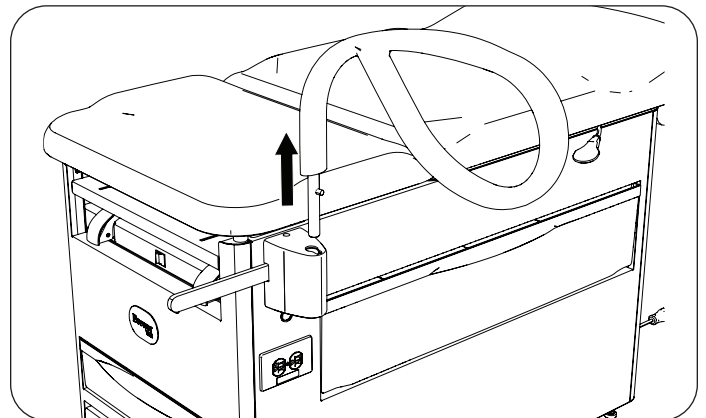
4. Attach mounting plate cover to mounting plate using four small push rivets.



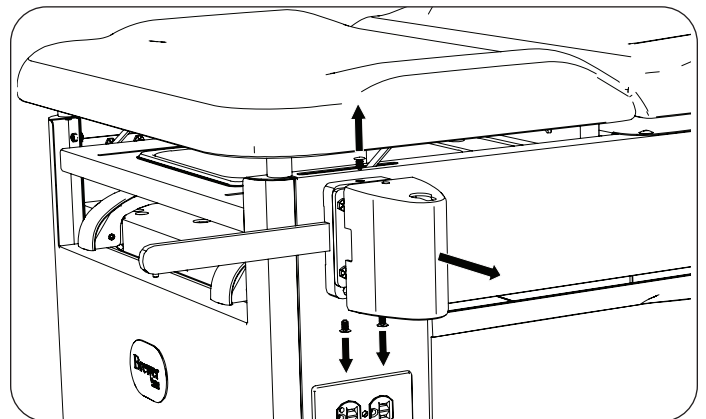
5. Repeat for opposite side of table.

With Assist Handle

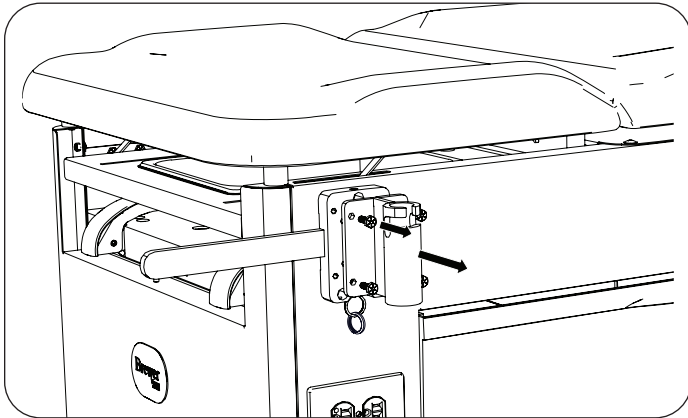
1. Remove assist handle



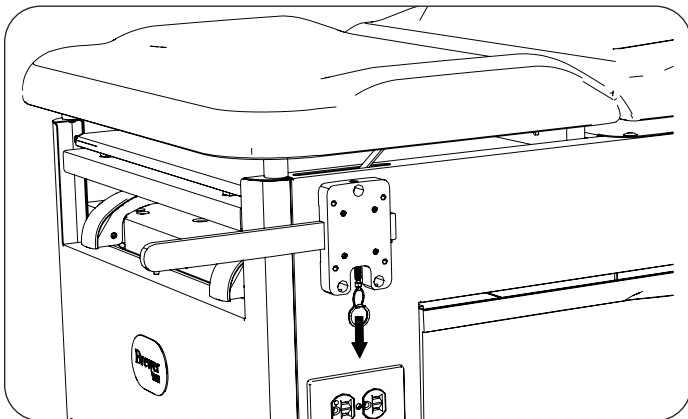
2. Using supplied pry bar, remove three push rivets attaching handle support cover to handle support, one on top and two on bottom of cover. Remove cover.



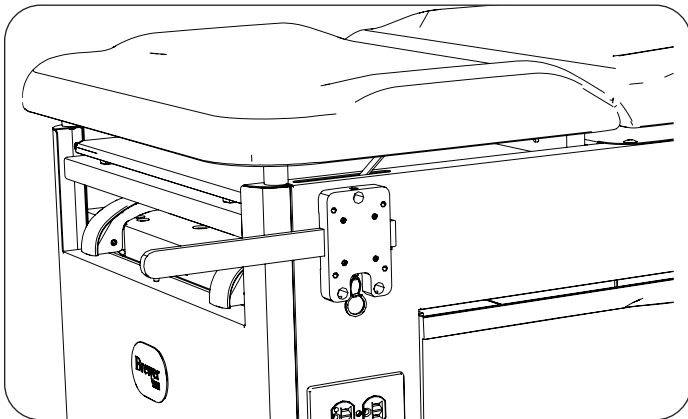
3. Remove four hex head bolts attaching handle support to mounting plate. Remove handle support.



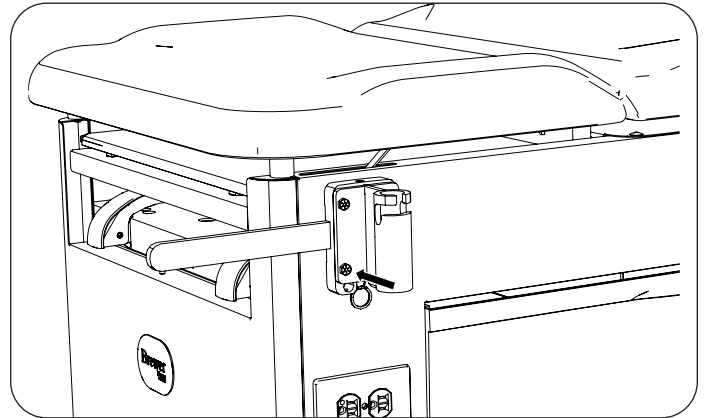
4. Remove plunger from mounting plate using 1/4" open end hex wrench. Discard plunger.



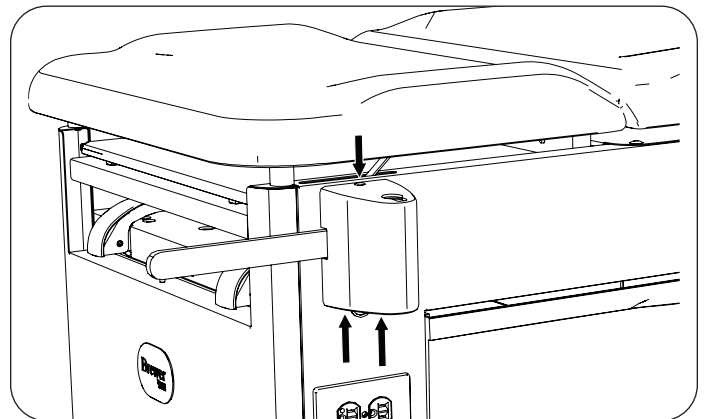
5. Install new plunger using 1/4" open end wrench.



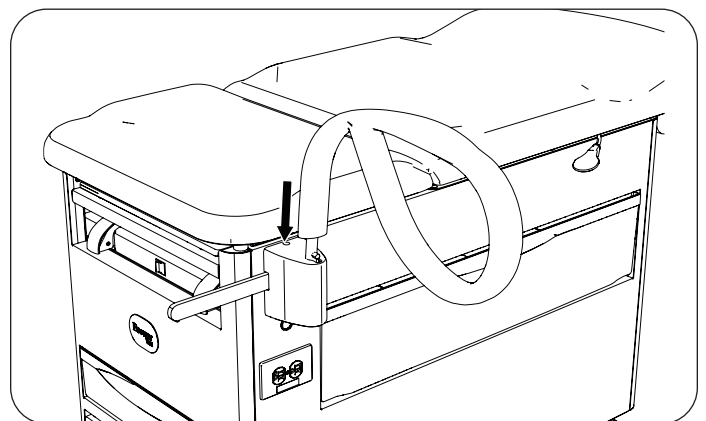
6. Attach handle support to mounting plate using four hex head bolts.



7. Attach handle support cover to handle support using three large push rivets, one on top and two on bottom of cover.



8. Install assist handle.



9. Repeat for opposite side of table.