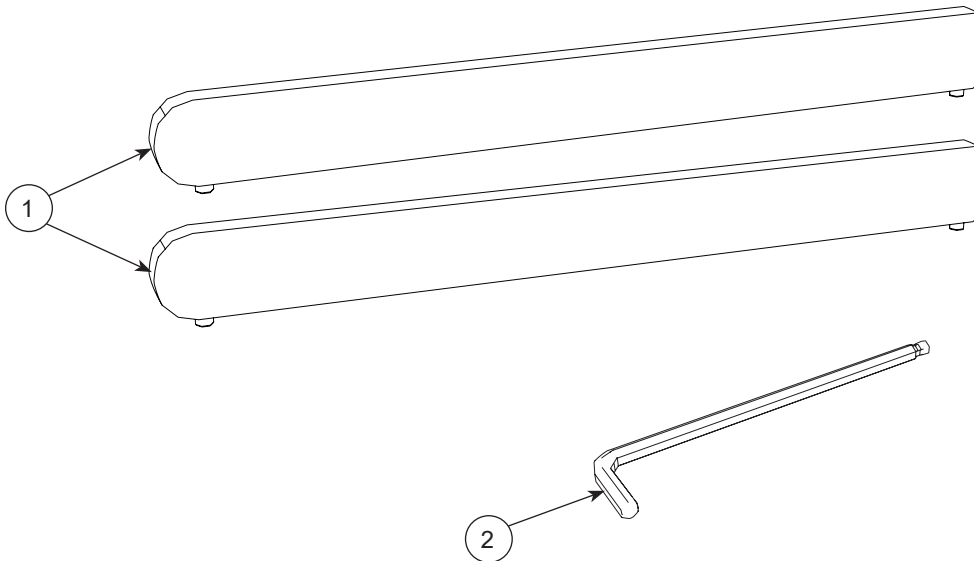


## 3500450 Knee Crutch Beam Service Kit



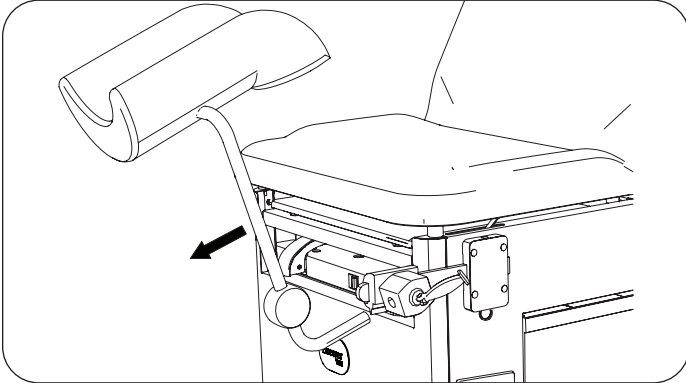
Item No.	Description	Qty
1	Beam	2
2	7/64" Allen Wrench	1

Registering your Brewer product is easy.  
Simply go to [brewercompany.com/warranty-registration](http://brewercompany.com/warranty-registration), fill out the information fields and click send.  
By registering your product today, you are better safeguarding your investment in the future.

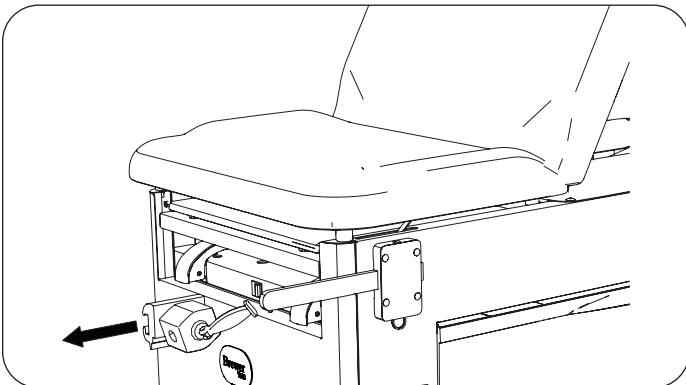
**The Brewer Company, LLC**  
N88 W13901 Main Street, Suite 100  
Menomonee Falls, WI 53051  
P 800.558.8777  
F 262.251.2332  
E [customerservice@brewercompany.com](mailto:customerservice@brewercompany.com)  
[www.brewercompany.com](http://www.brewercompany.com)

*Note: Your table may include assist handles. The steps to replace the knee crutch beam are the same as shown below. The assist handles are not illustrated.*

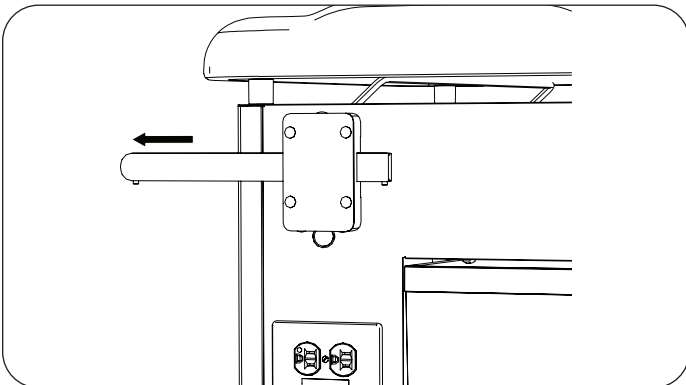
1. Remove knee crutch.



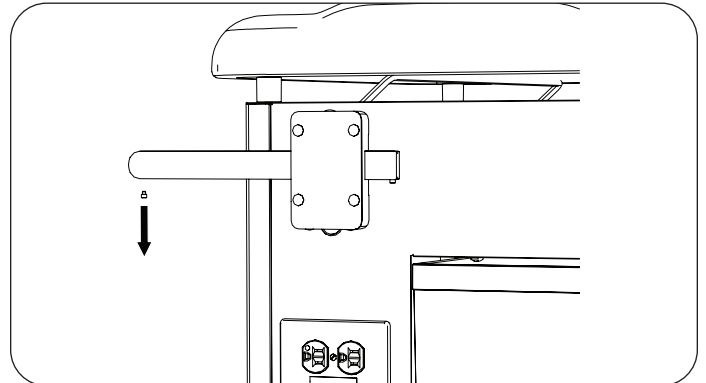
2. Remove knee crutch lock socket.



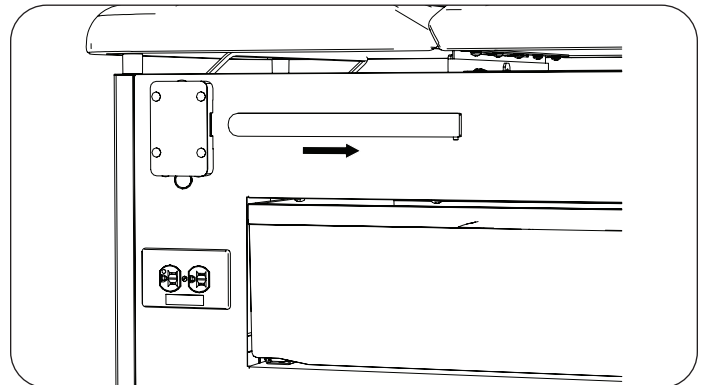
3. Extend knee crutch beam.



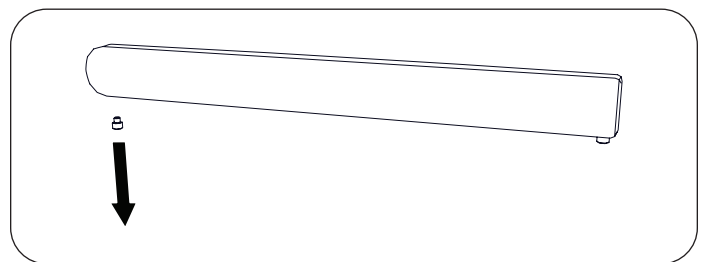
4. Remove stop screw from front of beam using provided 7/64" Allen wrench.



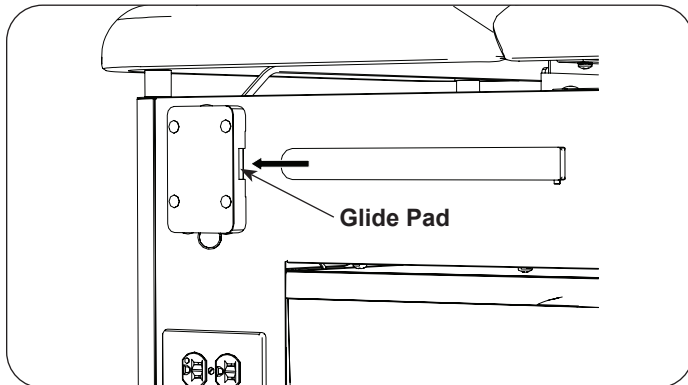
5. Pull beam rearward out of mounting plate and discard.



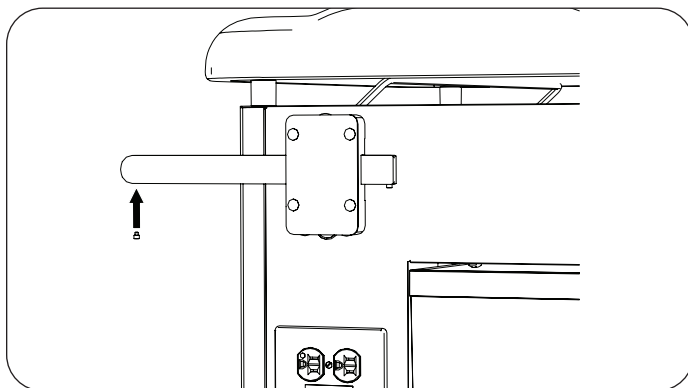
6. Remove stop screw from front of new beam using provided 7/64" Allen wrench.



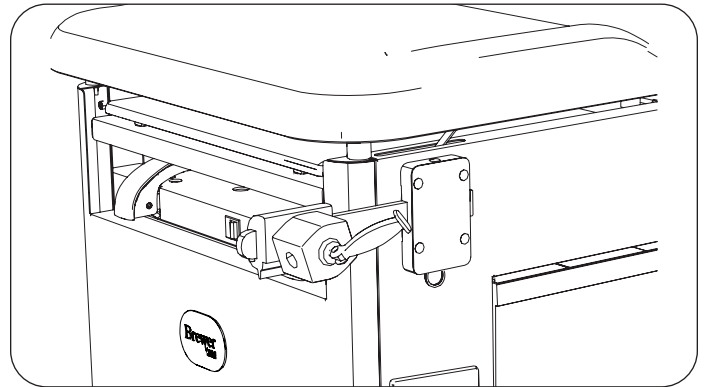
7. Insert new beam into mounting plate. Make sure glide pad is against cabinet.



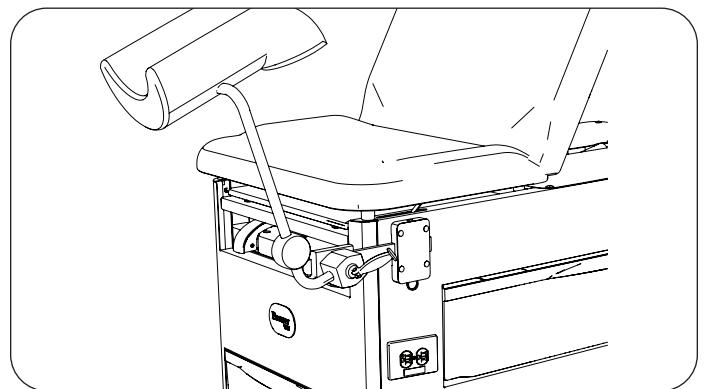
8. Attach stop screw to front of beam using provided 7/64" Allen wrench.



9. Attach lock socket to beam.



10. Assemble knee crutch to lock socket.



11. Repeat for opposite side of table.