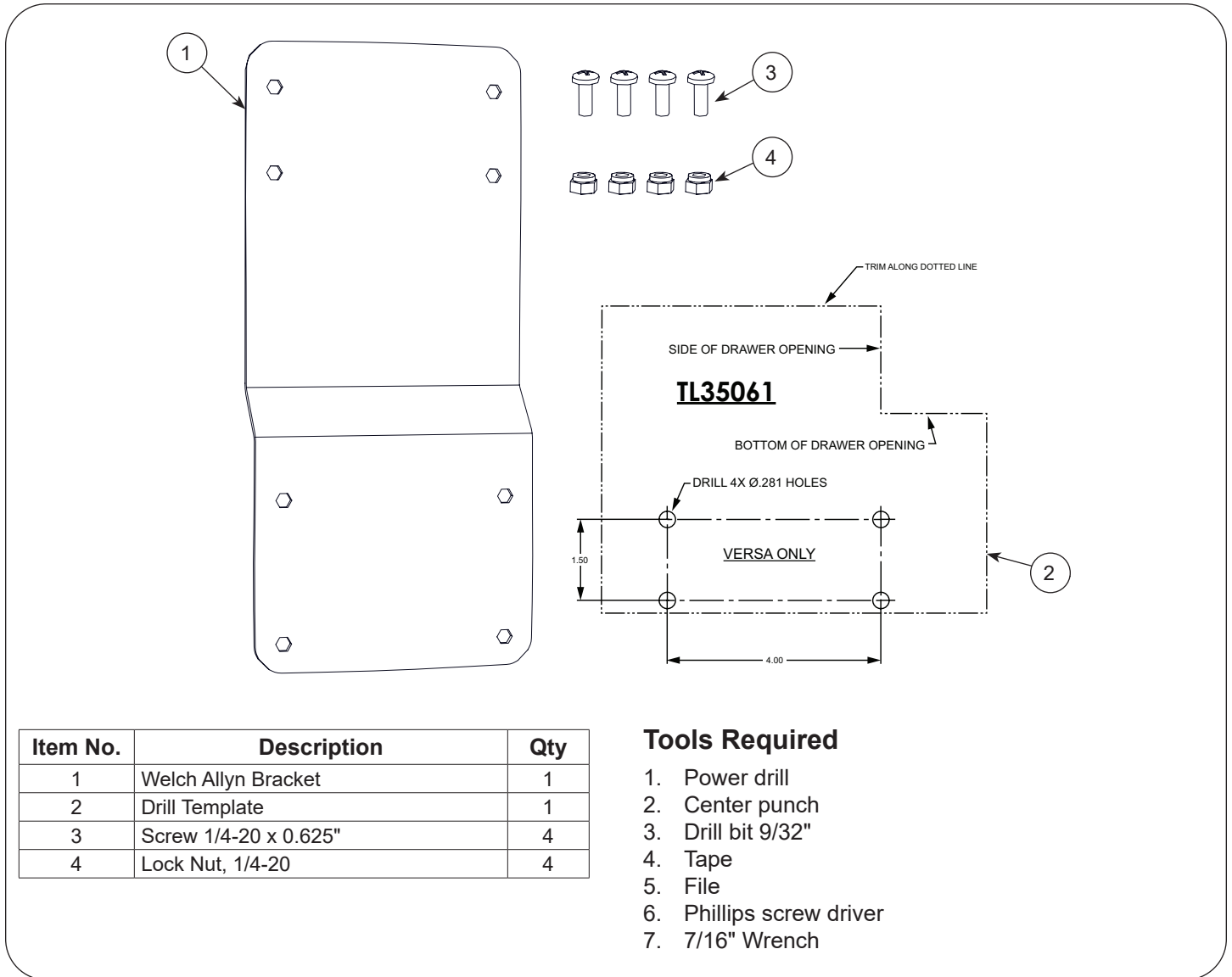


## 3500398 Welch Allyn Bracket Accessory



Item No.	Description	Qty
1	Welch Allyn Bracket	1
2	Drill Template	1
3	Screw 1/4-20 x 0.625"	4
4	Lock Nut, 1/4-20	4

### Tools Required

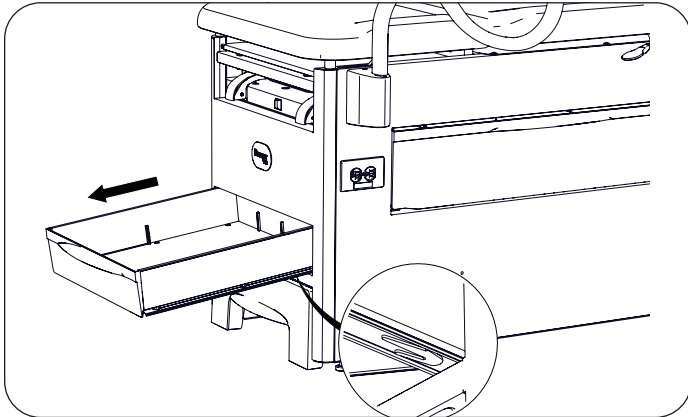
1. Power drill
2. Center punch
3. Drill bit 9/32"
4. Tape
5. File
6. Phillips screw driver
7. 7/16" Wrench

Registering your Brewer product is easy.  
Simply go to [brewercompany.com/warranty-registration](http://brewercompany.com/warranty-registration), fill out the information fields and click send.  
By registering your product today, you are better safeguarding your investment in the future.

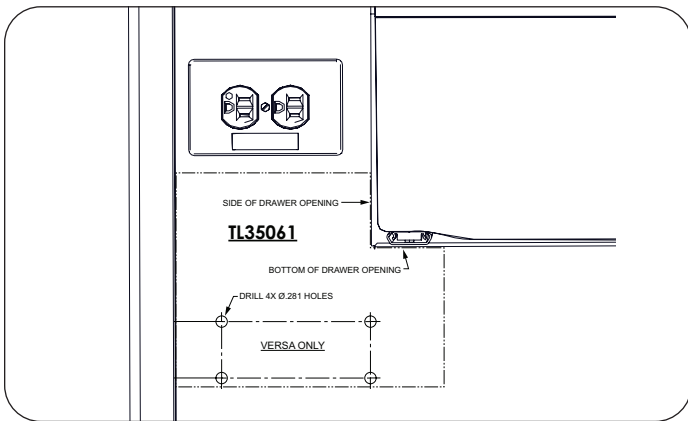
**The Brewer Company, LLC**  
N88 W13901 Main Street, Suite 100  
Menomonee Falls, WI 53051  
P 800.558.8777  
F 262.251.2332  
E [customerservice@brewercompany.com](mailto:customerservice@brewercompany.com)  
[www.brewercompany.com](http://www.brewercompany.com)

## Install the Welch Allyn Bracket Accessory

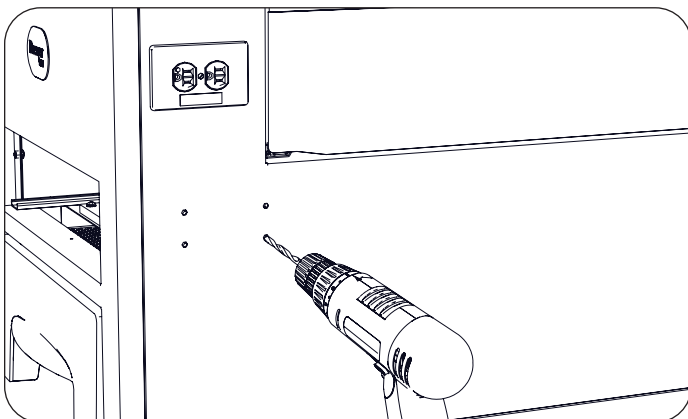
1. Pull out the front drawer. While standing in front of the drawer push both tabs under the drawer to the left to release the drawer from the table.



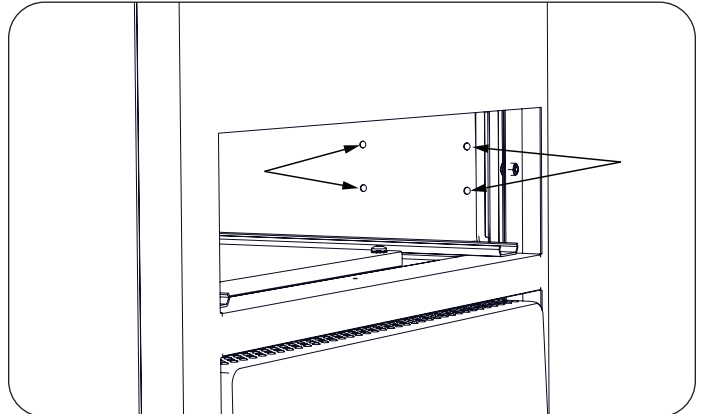
2. Tape the provided template to the left side of the table, below the outlet if equipped. Follow alignment instructions on template.



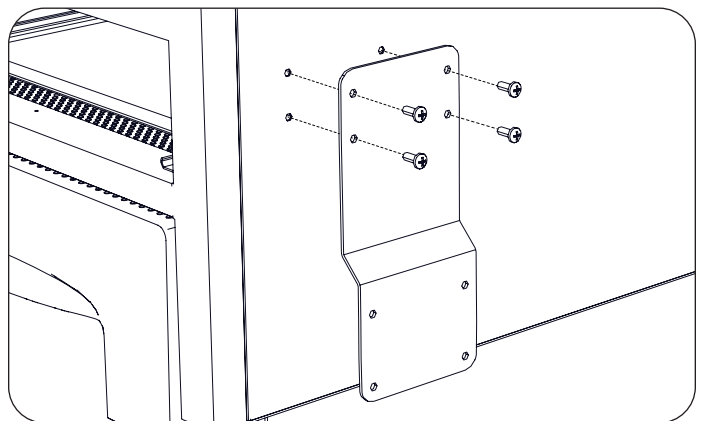
3. Mark hole locations using a center punch.
4. Remove the template.
5. Drill four holes using a 9/32" size drill.



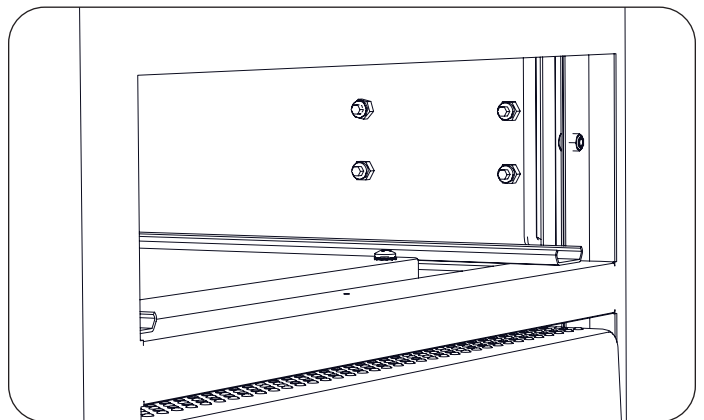
6. Remove any burrs from the drilled holes.



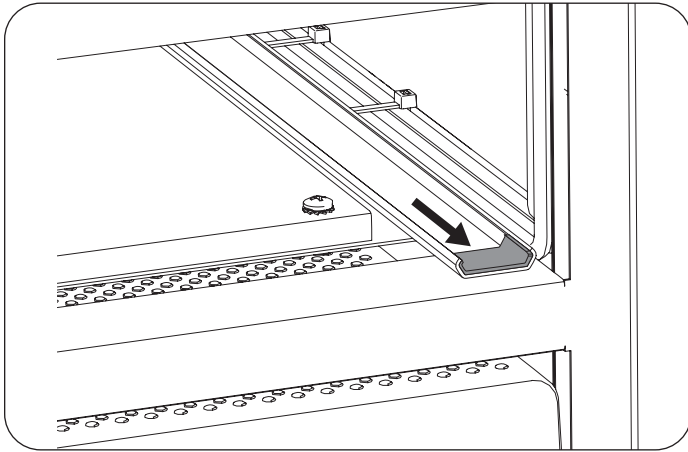
7. Install 4 screws through the Welch Allyn bracket and insert the screws into the drilled holes.



8. Tighten 4 nuts onto the screws.

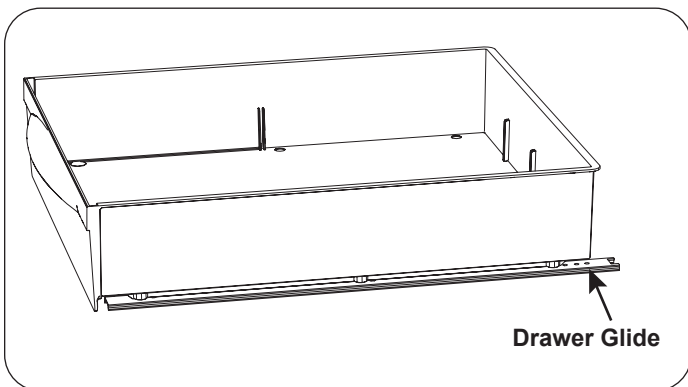


9. Before replacing the drawer, slide the glide track all the way forward inside the table.

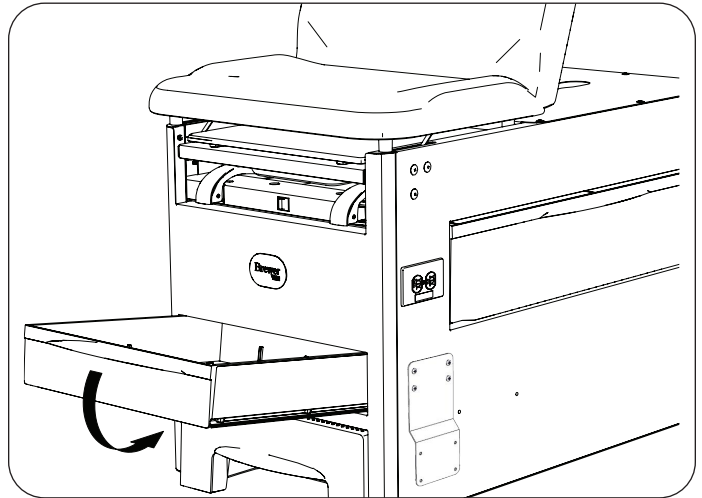


10. Place the drawer into the drawer opening. Align the drawer glides with the glide tracks.

*NOTE: Ensure the drawer locking tabs fully catch the drawer glides to ensure the drawer cannot easily be removed.*



11. With the drawer angled slightly upward, push the drawer into the table.



12. Open and close the drawer several times to ensure good operation.