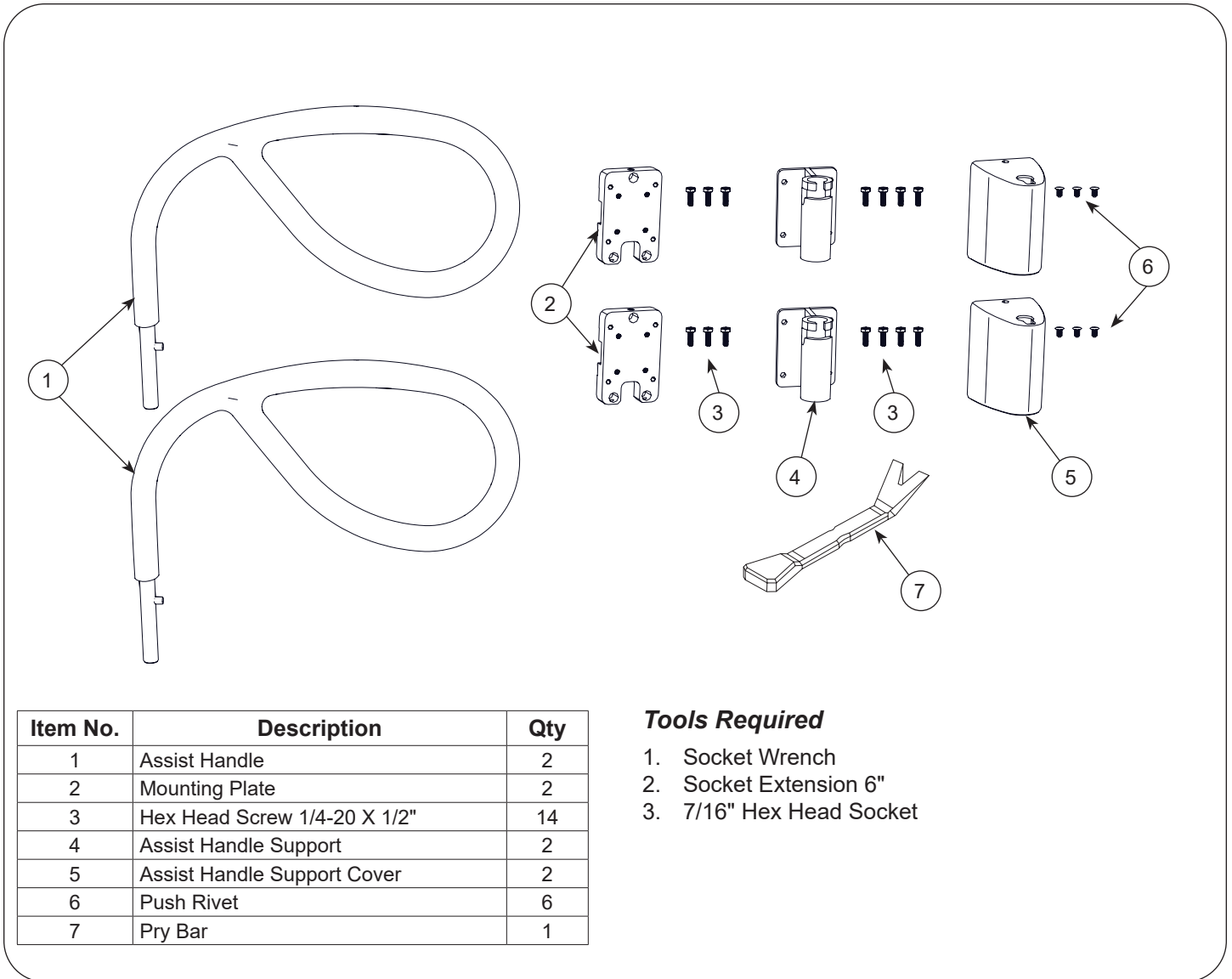


3500287 Patient Assist Handles Accessory



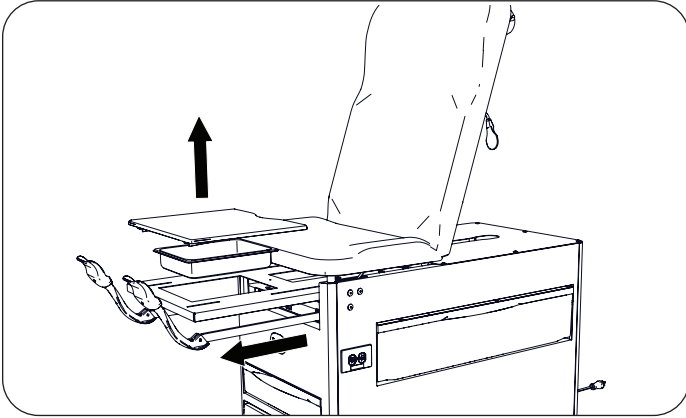
Registering your Brewer product is easy.

Simply go to brewercompany.com/warranty-registration, fill out the information fields and click send.

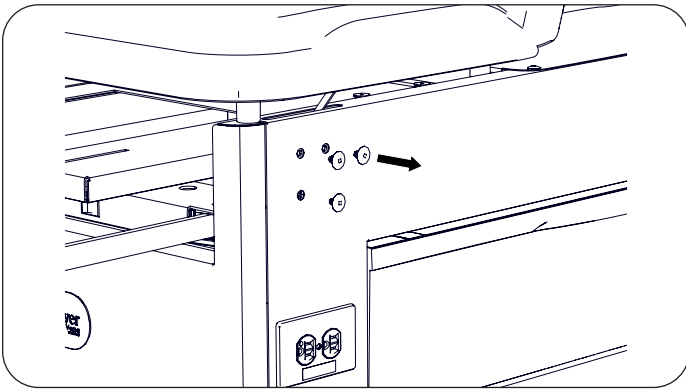
By registering your product today, you are better safeguarding your investment in the future.

The Brewer Company, LLC
 N88 W13901 Main Street, Suite 100
 Menomonee Falls, WI 53051
 P 800.558.8777
 F 262.251.2332
 E customerservice@brewercompany.com
www.brewercompany.com

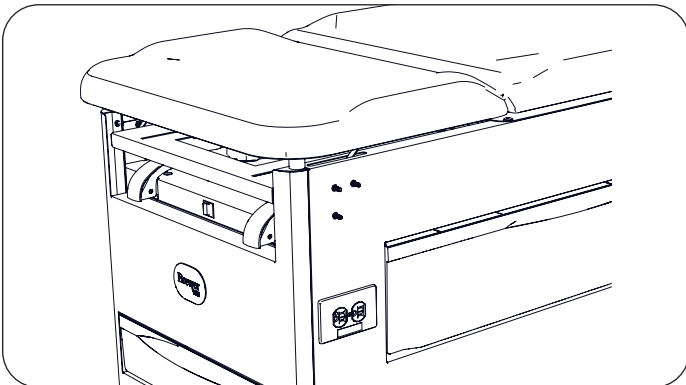
1. To gain access to inside of cabinet, pull out stirrups (if equipped) and leg extension. Remove leg extension pad and debris pan.



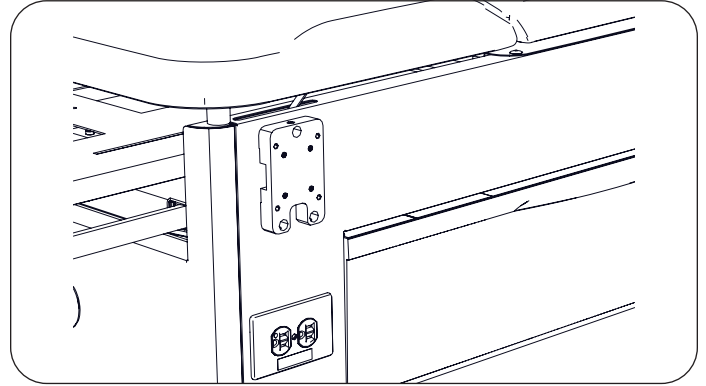
2. Remove three push rivets from cabinet by using provided pry bar, or punching rivets out from the inside of the cabinet.



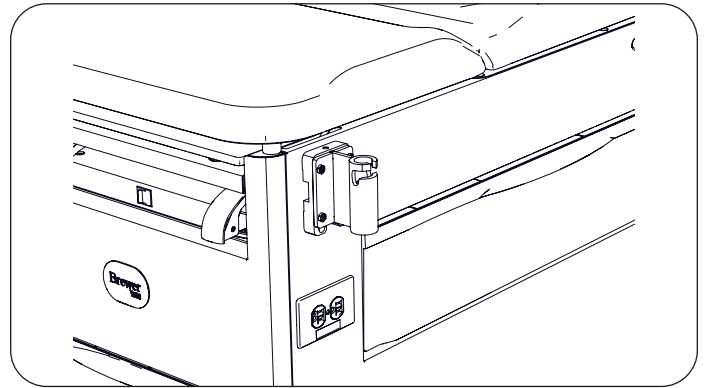
3. From the inside of table, place three hex head screws through holes in cabinet.



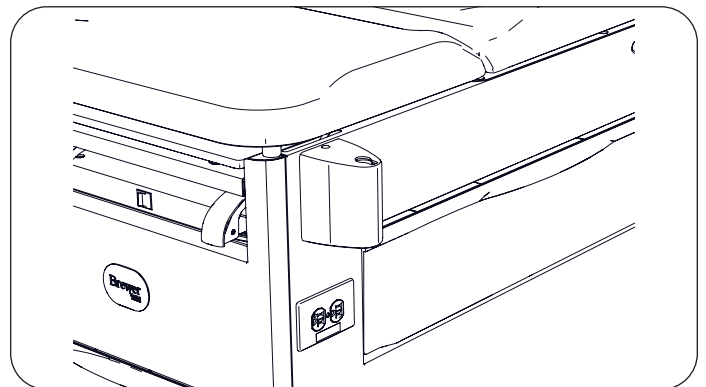
4. Position mounting plate over screws and tighten screws from the inside. Orient mounting plate as shown.



5. Install assist handle support to mounting plate using four hex head screws. Orient support as shown.



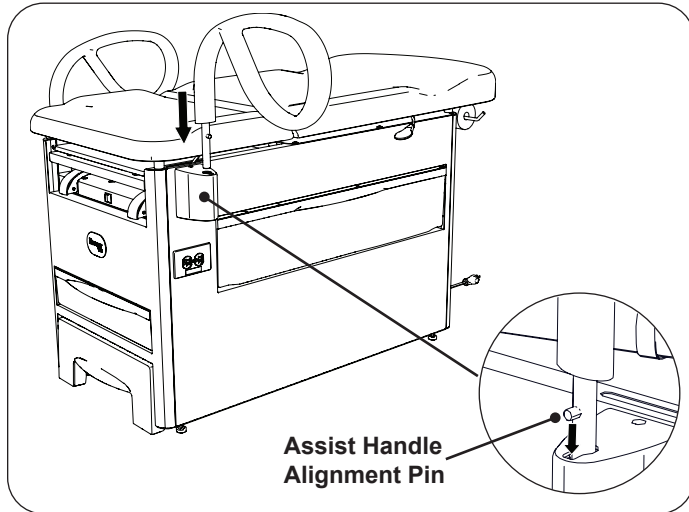
6. Attach assist handle support cover to assist handle support using three push rivets, one on top and two on bottom of cover.



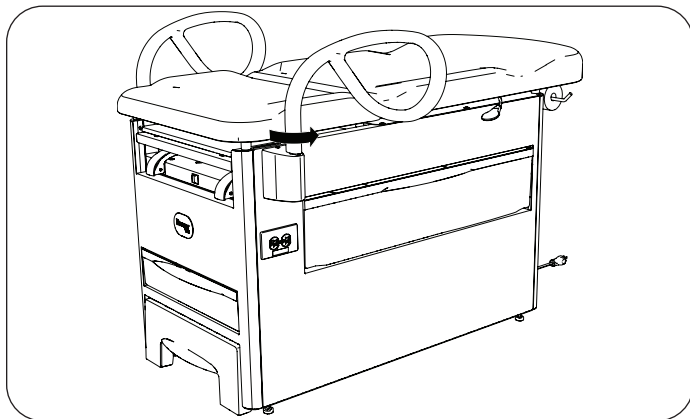
7. Repeat for opposite side of table.
8. Replace debris pan and leg extension pad. Push leg extension and stirrups (if equipped) back into table.

- Install assist handles. Insert the patient assist handle into the mount, partially inserting the shaft end into opening on top of mount. Rotate the handle until the pin on the shaft aligns with the slot and insert handle all the way down.

NOTE: The patient assist handles are interchangeable.



- The patient assist handles have two locating positions: one rearward and one forward. Position the handle at the desired location and the bar will fall into a detent.



- To switch from one position to the other, lift the handle straight up until it is disengaged from the mount detent. Rotate to the opposite position. The bar will fall into a locating detent at that position.
- Be sure the patient assist handles are in one of two locating positions before use. Applying force to the bars when not in one of two locating positions may cause the bar to move.



WARNING: Fall Hazard

Do not allow patient to sit on the assist handles. Doing so may result in serious personal injury or death.