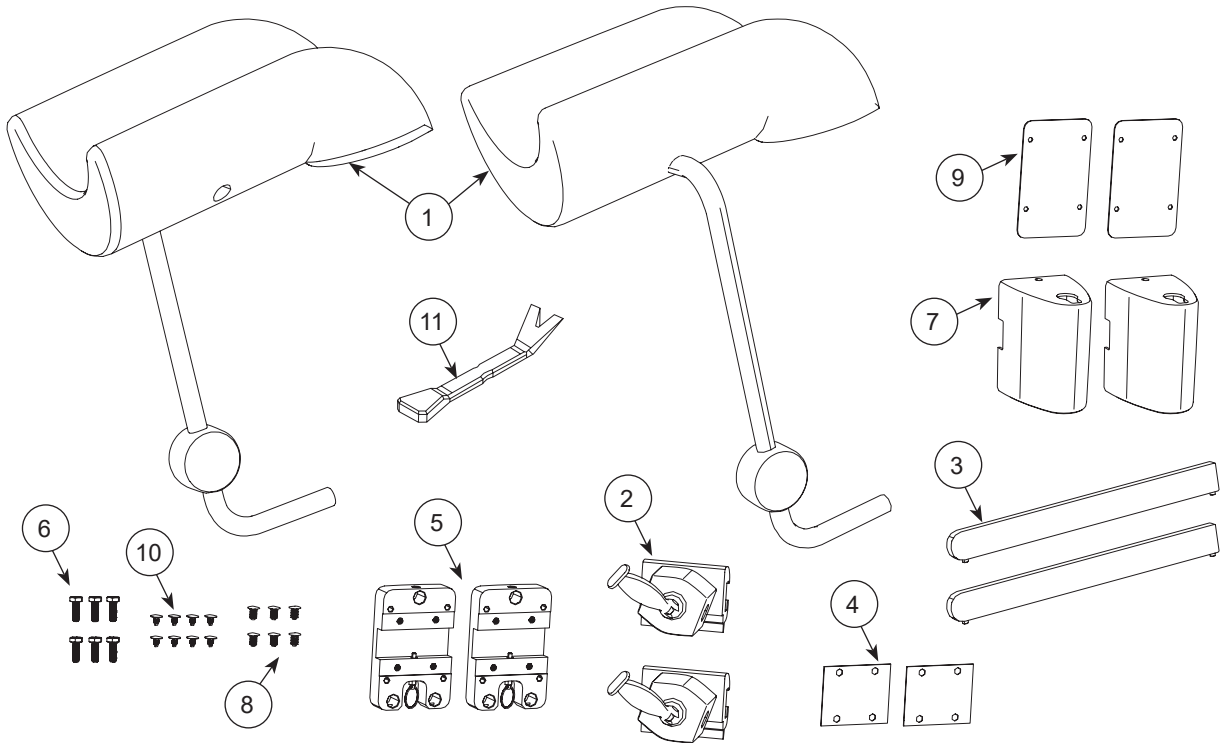


3500286 Knee Crutch Accessory



Item No.	Description	Qty
1	Knee Crutch Set, Left & Right	1
2	Lock Socket	2
3	Beam	2
4	Guide Pad	2
5	Mounting Plate	2
6	Hex Head Screw	6
7	Assist Handle Support Cover	2
8	Large Push Rivet	6

Item No.	Description	Qty
9	Mounting Plate Cover	2
10	Small Push Rivet	8
11	Pry Bar	1

Tools Required

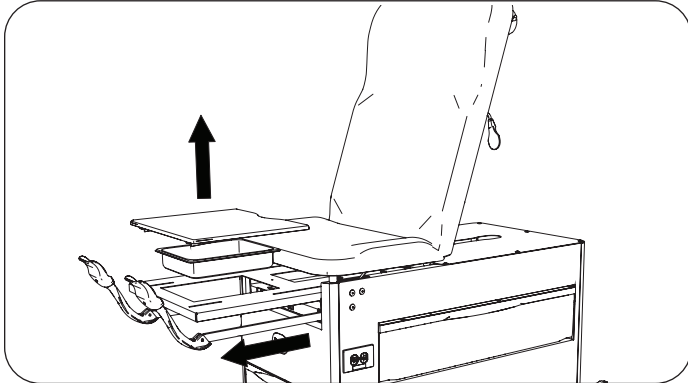
1. Socket Wrench
2. Socket Extension 6"
3. Hex Head Socket 7/16"

Registering your Brewer product is easy.
Simply go to brewercompany.com/warranty-registration, fill out the information fields and click send.
By registering your product today, you are better safeguarding your investment in the future.

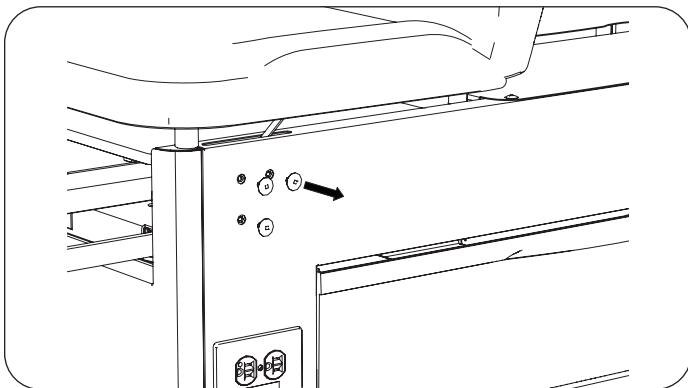
The Brewer Company, LLC
N88 W13901 Main Street, Suite 100
Menomonee Falls, WI 53051
P 800.558.8777
F 262.251.2332
E customerservice@brewercompany.com
www.brewercompany.com

If Installing without Assist Handles

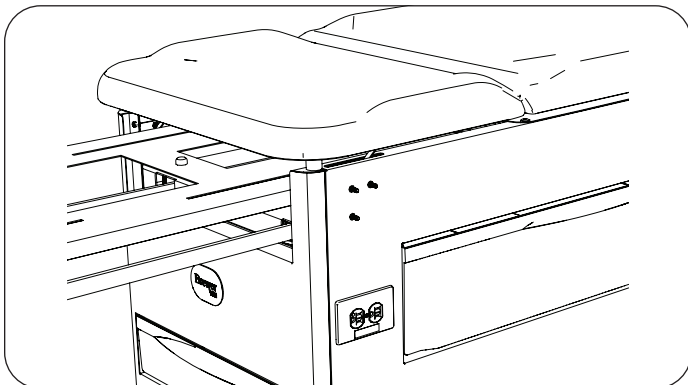
1. To gain access to inside of cabinet, pull out stirrups (if equipped) and leg extension. Remove upholstered pad and debris pan.



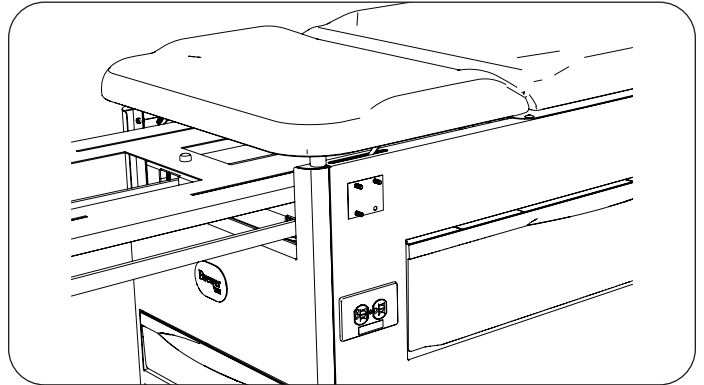
2. Remove three push rivets from cabinet by using provided pry bar, or punching rivets out from the inside of cabinet.



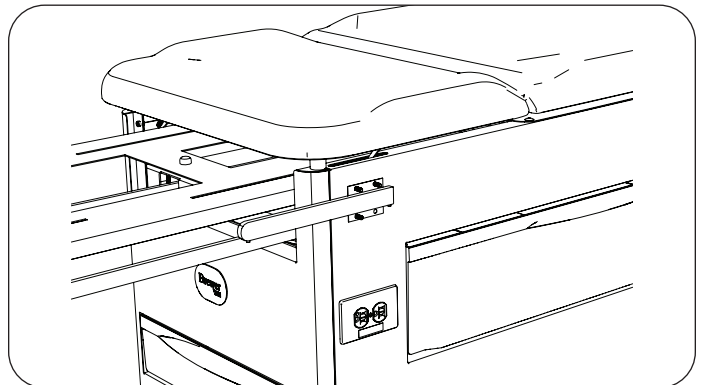
3. Place three hex head screws through holes from inside of cabinet.



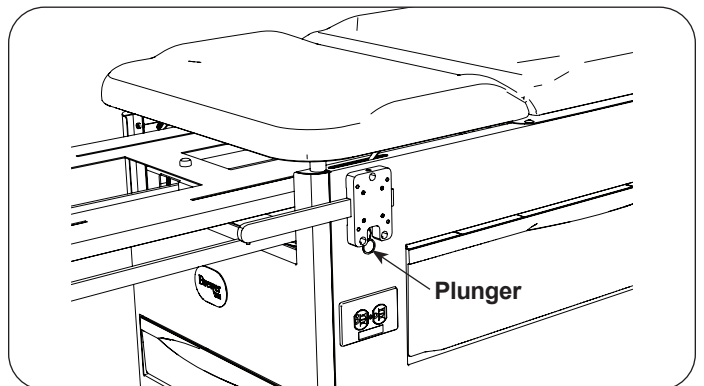
4. Install guide pad over screws.



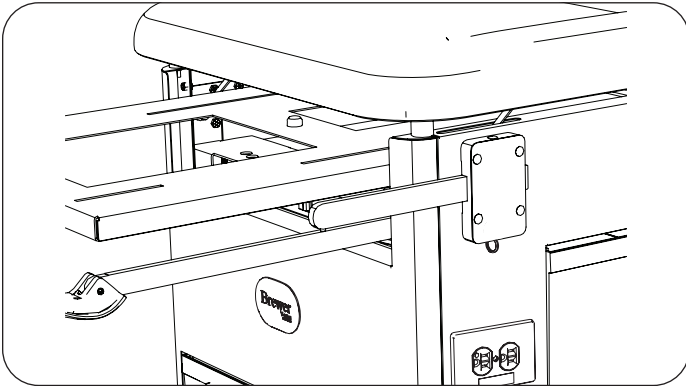
5. Position beam against guide pad. Round end of beam faces forward, and set screws face downward.



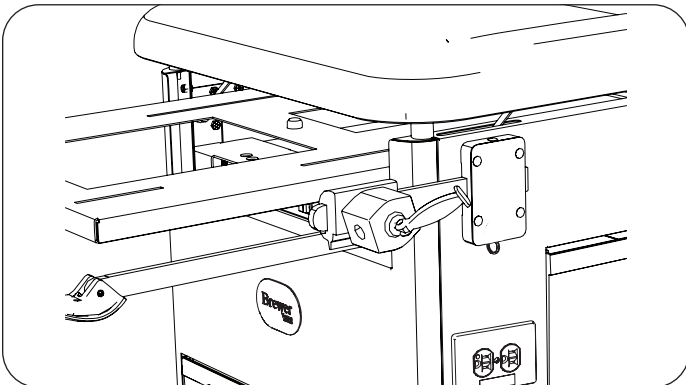
6. Pull plunger downward. Position groove in mounting plate over beam. Thread/tighten three hex head screws into mounting plate.



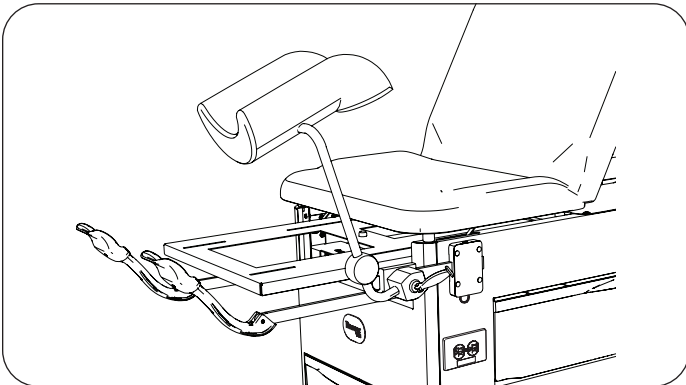
- Attach mounting plate cover using four small push rivets.



- Attach lock socket to beam.



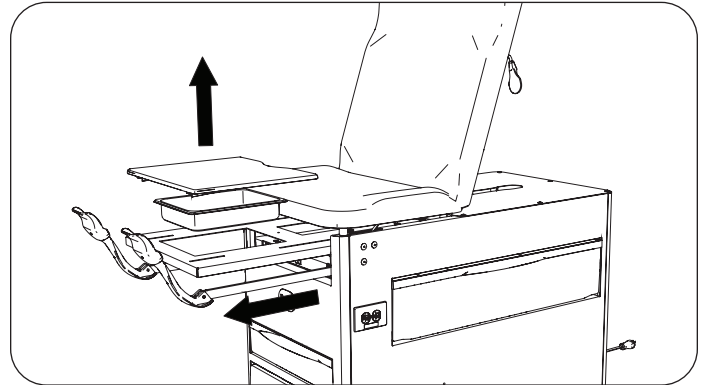
- Assemble knee crutch to lock socket.



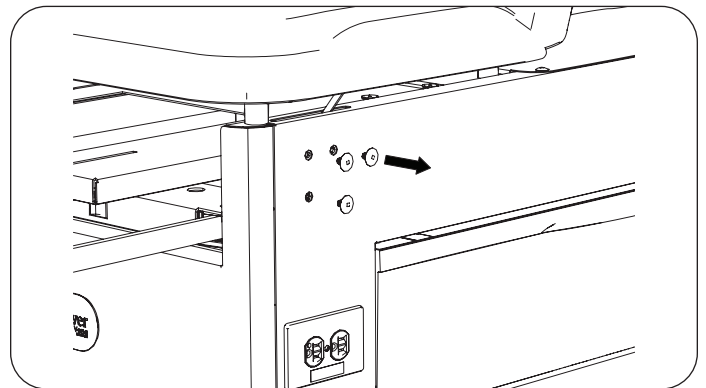
- Repeat for opposite side of table.
- Replace upholstered pad and debris pan. Push stirrups (if equipped) and leg extension back into table.

If Installing with Assist Handles

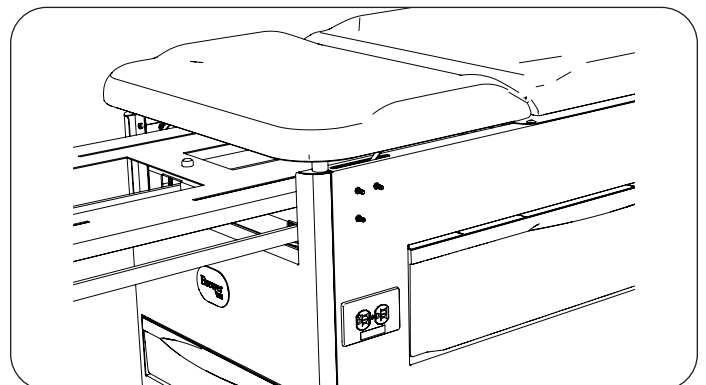
- To gain access to inside of cabinet, pull out stirrups (if equipped) and leg extension. Remove upholstered pad and debris pan.



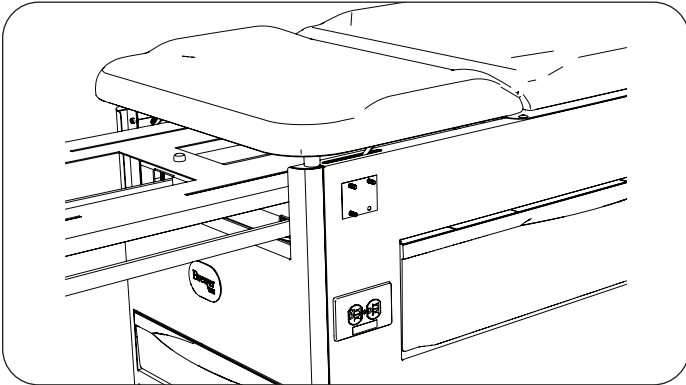
- Remove three push rivets from cabinet by using provided pry bar, or punching rivets out from the inside of cabinet.



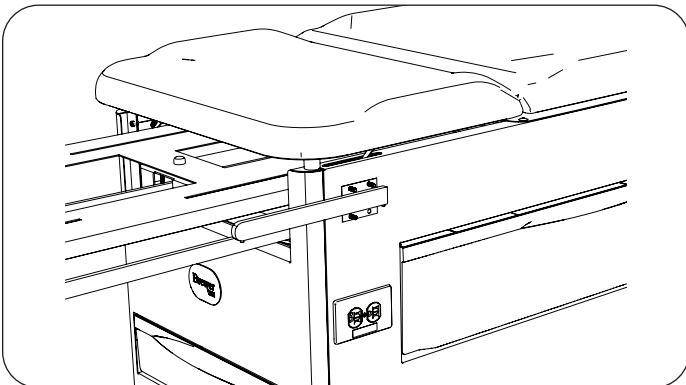
- Place three hex head screws through holes from inside of cabinet.



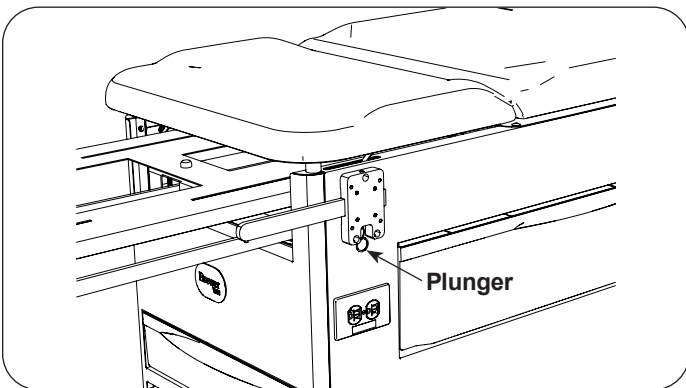
4. Install guide pad over screws.



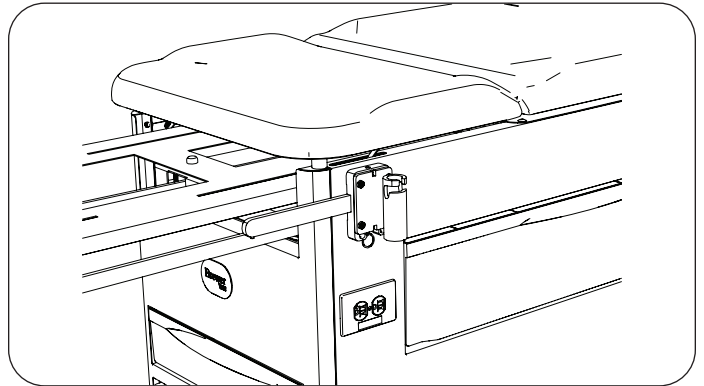
5. Position beam against guide pad. Round end of beam faces forward, and set screws face downward.



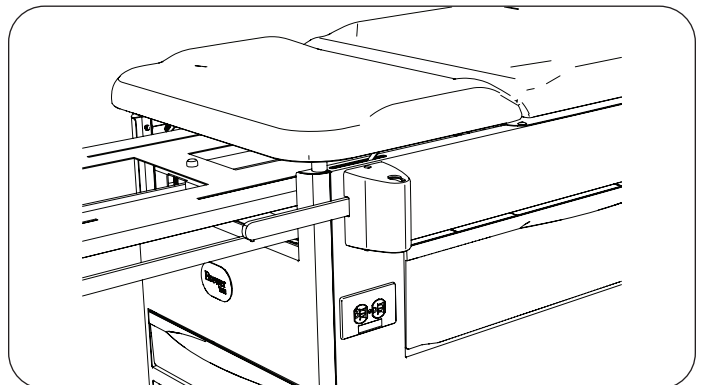
6. Pull plunger downward. Position groove in mounting plate over beam. Thread/tighten three hex head screws into mounting plate.



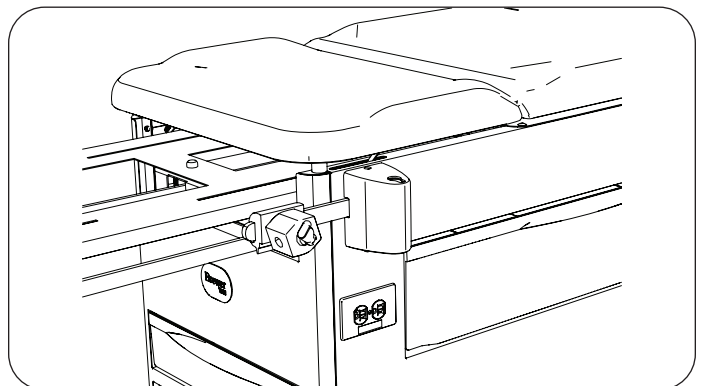
7. Attach assist handle support (provided with assist handle kit) to mounting plate using four hex head screws (provided with assist handle kit).



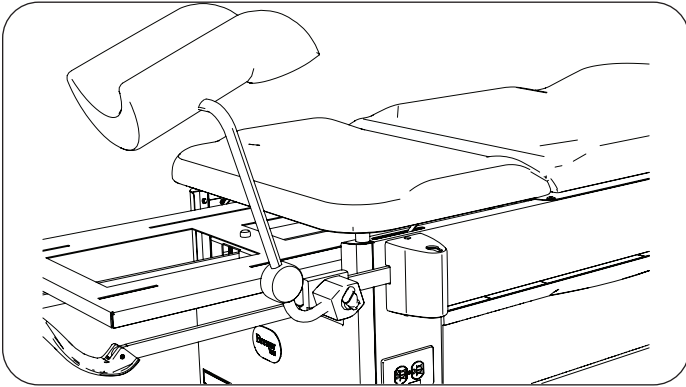
8. Attach assist handle support cover to assist handle support using three large push rivets, one on top and two on bottom of cover.



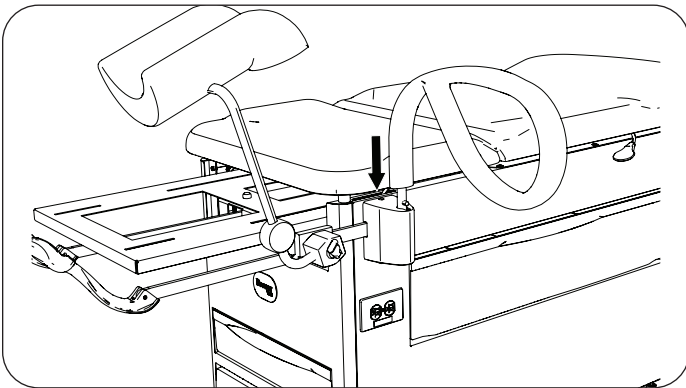
9. Attach lock socket to beam.



10. Assemble knee crutch to lock socket.



11. Install assist handle.

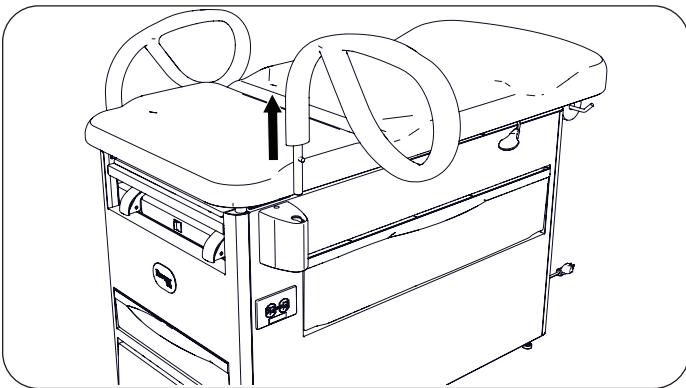


12. Repeat for opposite side of table.

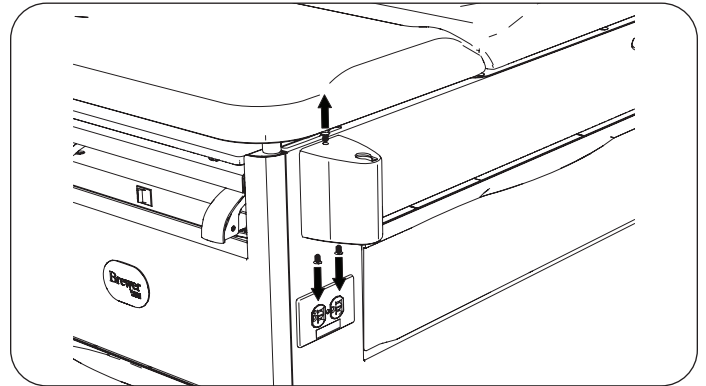
13. Replace upholstered pad and debris pan. Push stirrups (if equipped) and leg extension back into table.

If Assist Handles are Already Installed

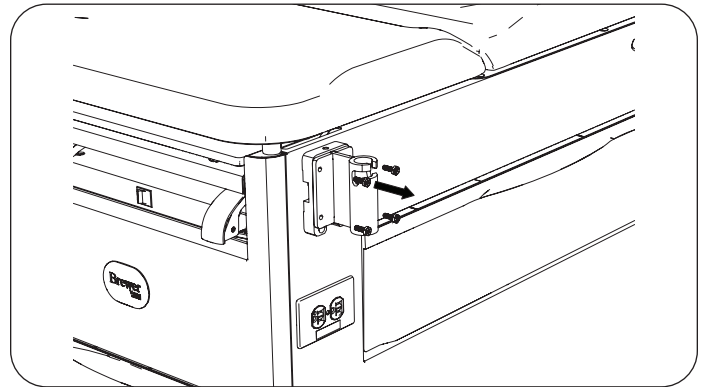
1. Remove assist handle.



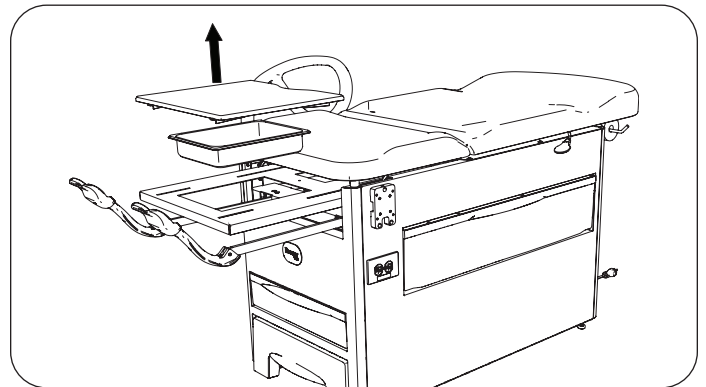
2. Using provided pry bar, remove assist handle support cover by removing three push rivets, one on top and two on bottom of cover.



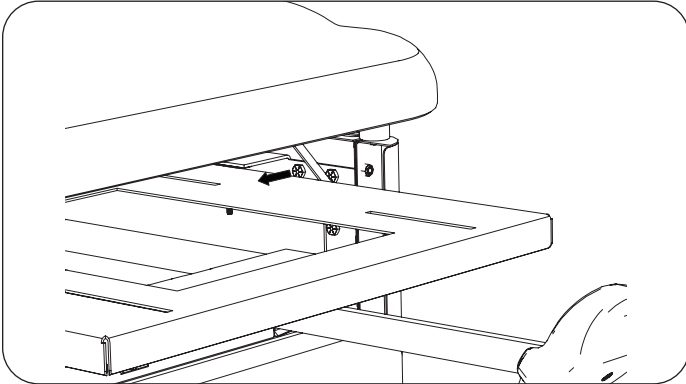
3. Remove assist handle support by removing four hex bolts. Keep support and bolts for reinstallation.



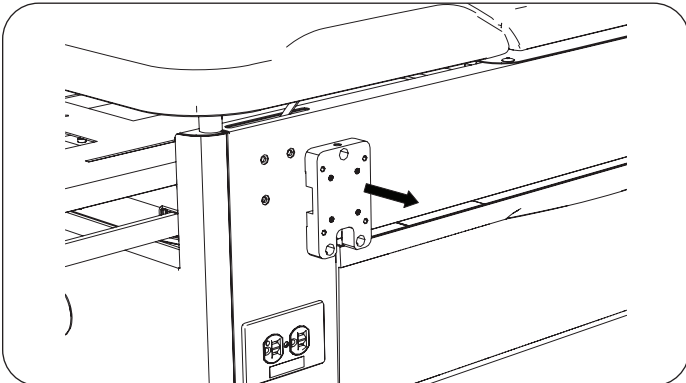
4. To gain access to inside of cabinet, pull out stirrups (if equipped) and leg extension. Remove upholstered pad and debris pan.



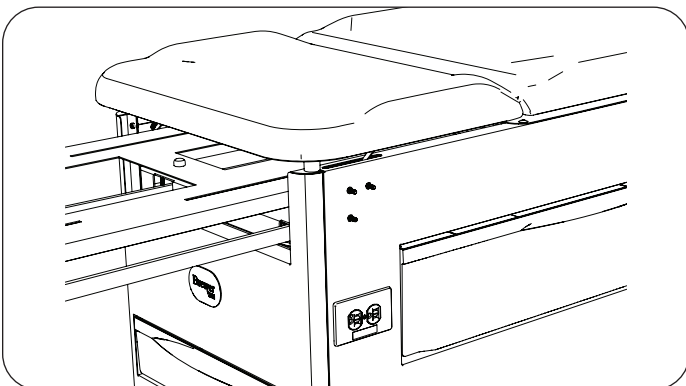
5. Remove three hex bolts from mounting plate by accessing from inside of cabinet.



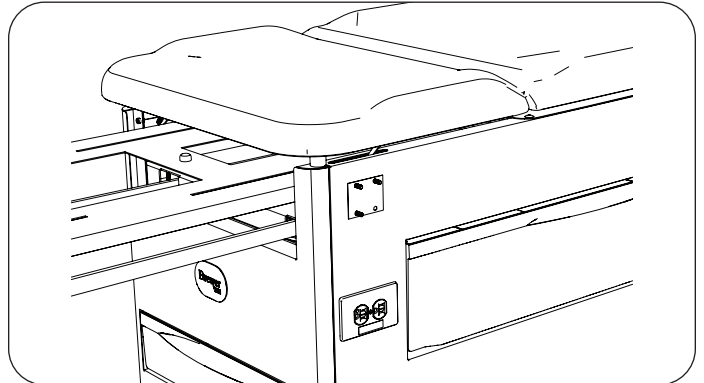
6. Remove mounting plate.



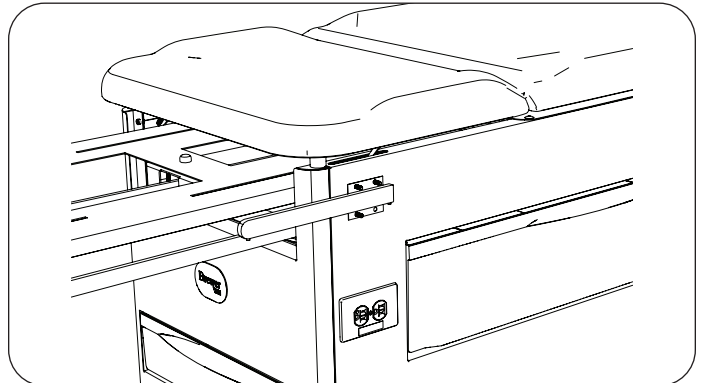
7. Place three new hex head screws through holes from inside of cabinet.



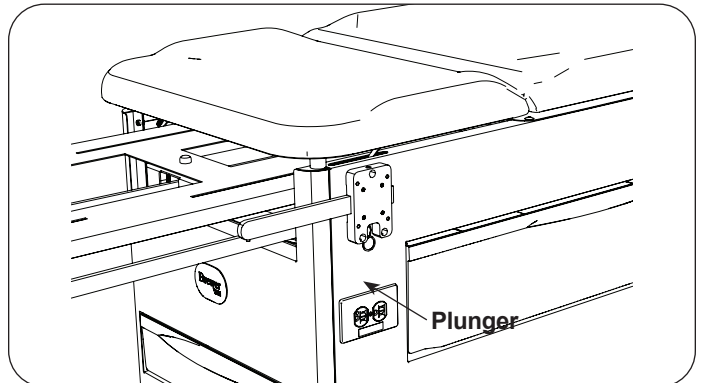
8. Install guide pad over screws.



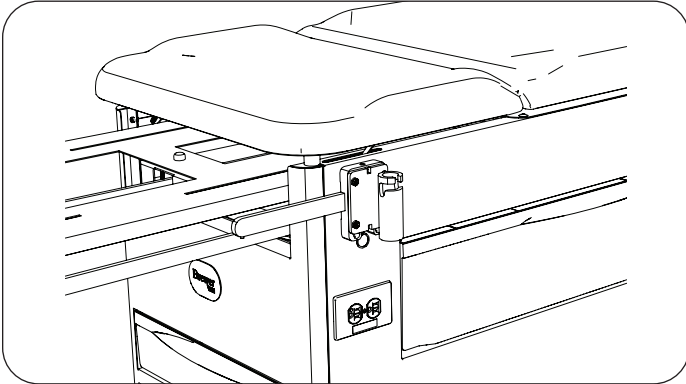
9. Position beam against guide pad. Round end of beam faces forward, and set screws face downward.



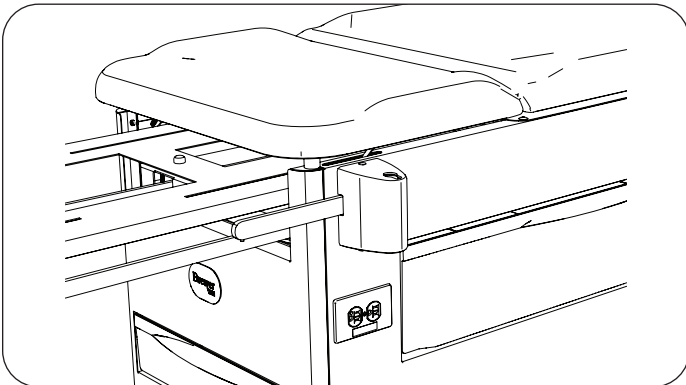
10. Pull plunger downward. Position groove in mounting plate over beam. Thread/tighten three hex head screws into mounting plate.



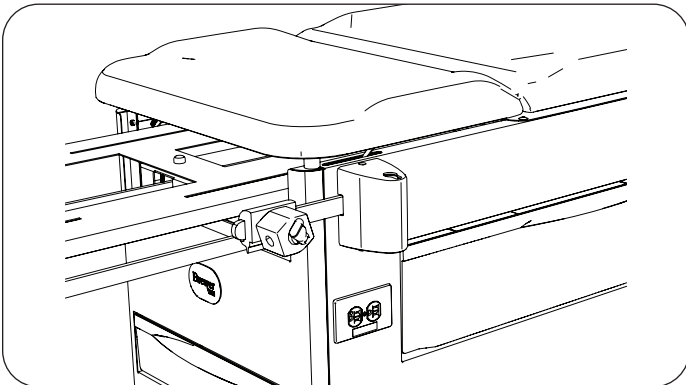
11. Reinstall assist handle support to mounting plate using four hex bolts removed in previous step.



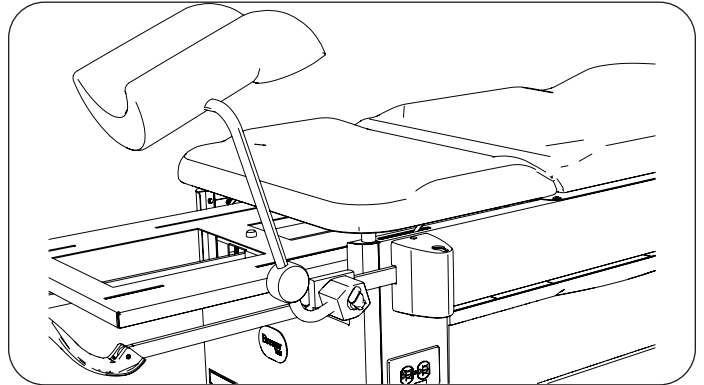
12. Attach new assist handle support cover to assist handle support using three new large push rivets, one on top and two on bottom of cover.



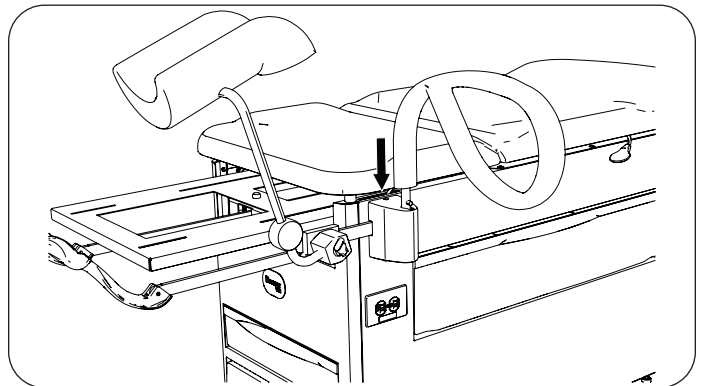
13. Attach lock socket to beam.



14. Assemble knee crutch to lock socket.



15. Reinstall assist handle.



16. Repeat for opposite side of table.

17. Replace upholstered pad and debris pan. Push stirrups (if equipped) and leg extension back into table.