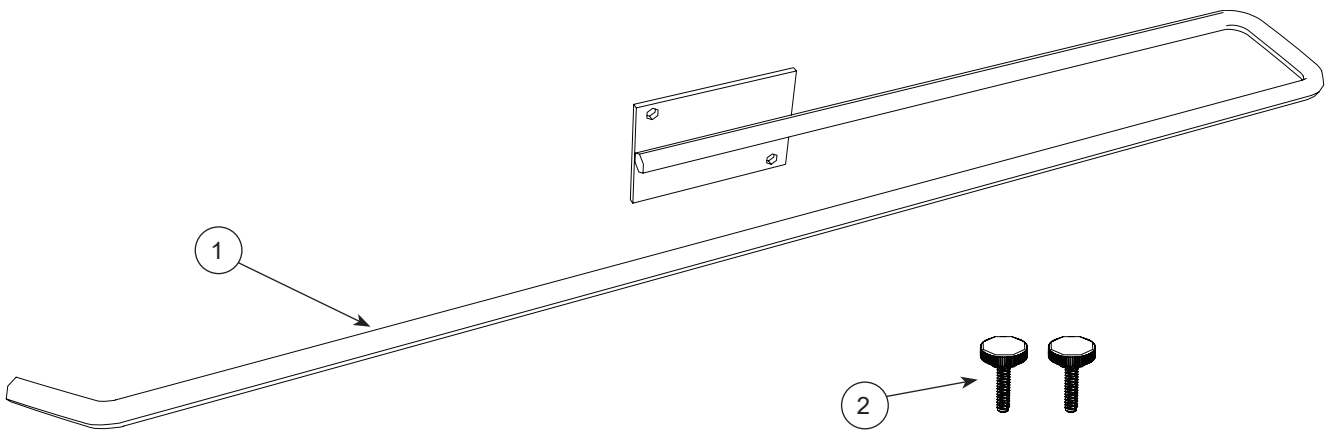


3500367 Domestic Paper Roll Holder Service Kit 3500368 Global Paper Roll Holder Service Kit



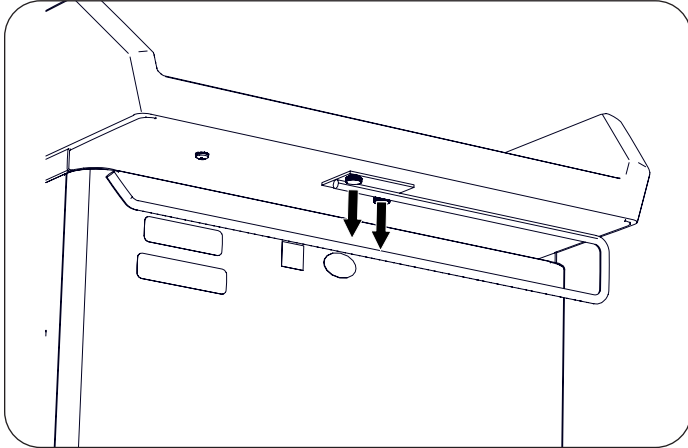
Item No.	Description	Qty
1	Paper Roll Holder	1
2	Thumb Screw	2

Registering your Brewer product is easy.
Simply go to brewercompany.com/warranty-registration, fill out the information fields and click send.
By registering your product today, you are better safeguarding your investment in the future.

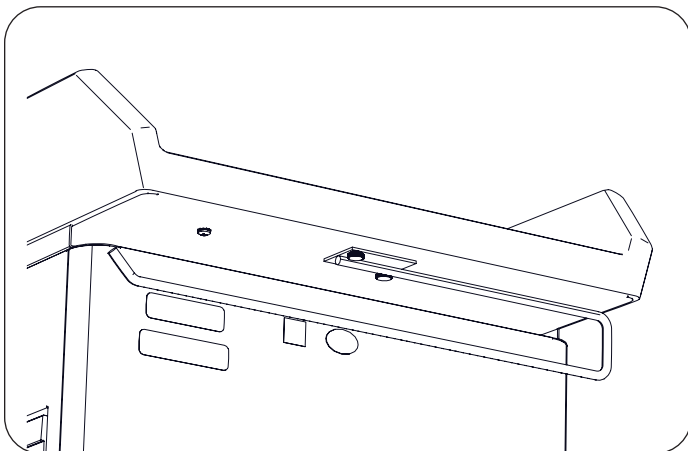
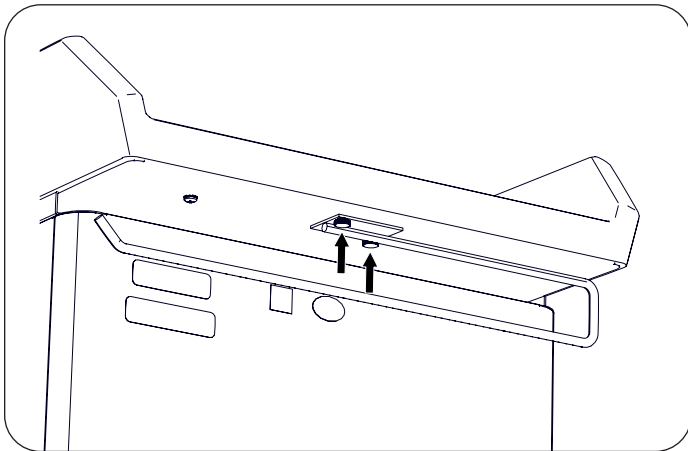
The Brewer Company, LLC
N88 W13901 Main Street, Suite 100
Menomonee Falls, WI 53051
P 800.558.8777
F 262.251.2332
E customerservice@brewercompany.com
www.brewercompany.com

Replacing Pediatric Paper Roll Holder (Domestic and Global)

1. Remove two thumb screws attaching paper roll holder. Discard paper roll holder and thumb screws.

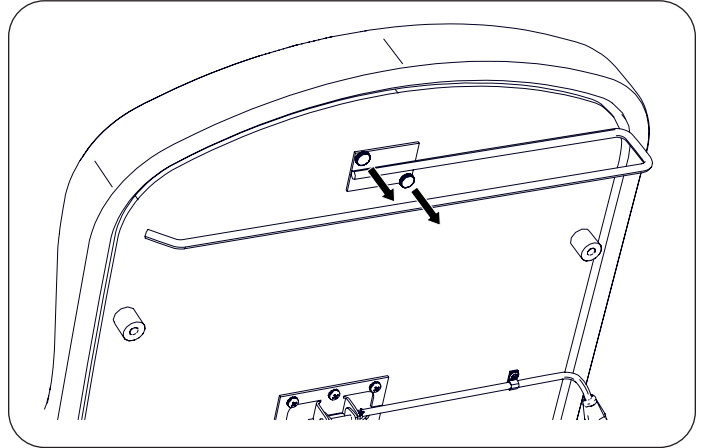


2. Attach new paper roll holder in desired orientation with two new thumb screws.



Replacing Adult Paper Roll Holder (Domestic and Global)

1. Remove two thumb screws attaching paper roll holder. Discard paper roll holder and thumb screws.



2. Attach new paper roll holder in desired orientation with two new thumb screws.

