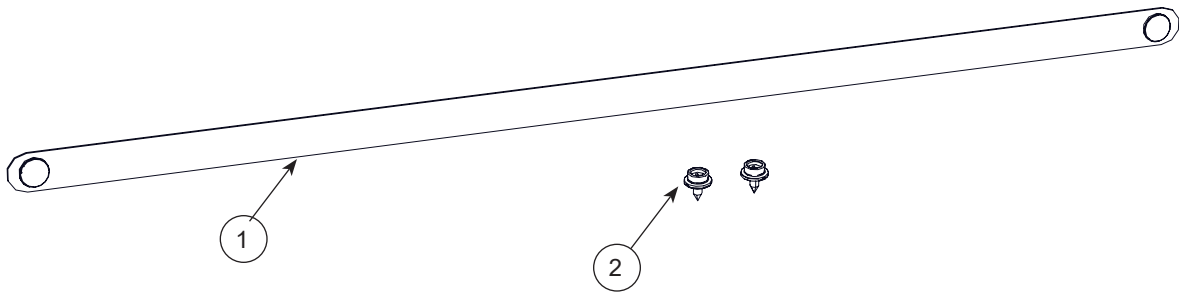


## 3500306 Pediatric Top Paper Strap Service Kit



Item No.	Description	Qty
1	Pediatric Paper Strap	1
2	Male Snap Button	2

### Tools Required

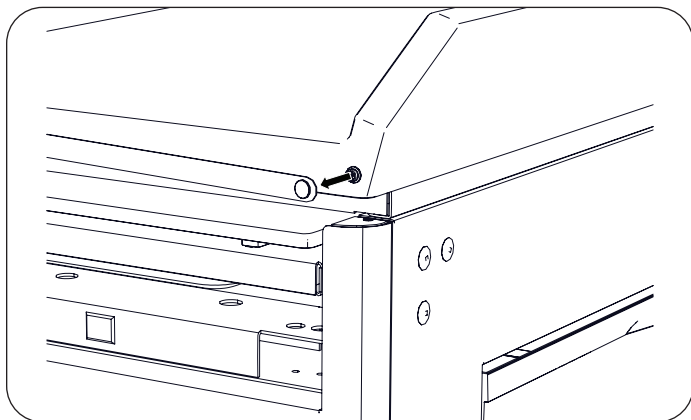
1. Phillips screwdriver

Registering your Brewer product is easy.  
Simply go to [brewercompany.com/warranty-registration](http://brewercompany.com/warranty-registration), fill out the information fields and click send.  
By registering your product today, you are better safeguarding your investment in the future.

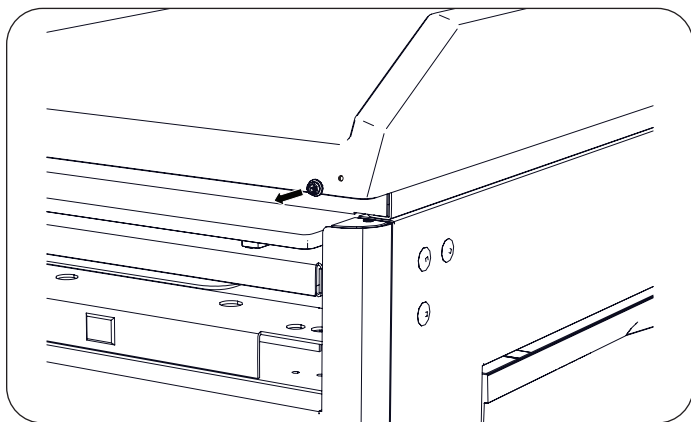
**The Brewer Company, LLC**  
N88 W13901 Main Street, Suite 100  
Menomonee Falls, WI 53051  
P 1.888.Brewer.1  
F 262.251.2332  
E [customerservice@brewercompany.com](mailto:customerservice@brewercompany.com)  
[www.brewercompany.com](http://www.brewercompany.com)

## Remove Pediatric Paper Strap

1. Unsnap the paper strap from the front of the pediatric top and discard.

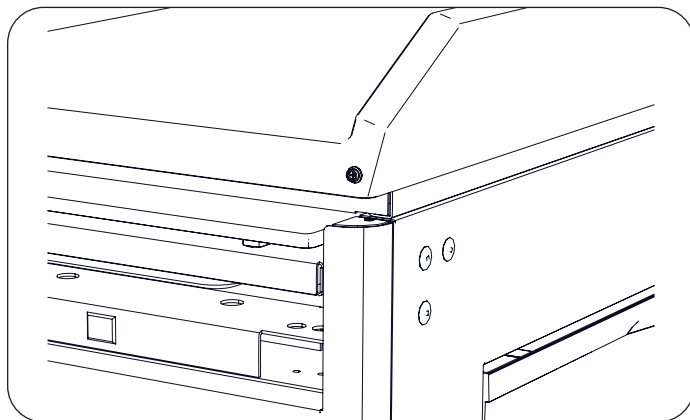


2. If necessary, unscrew the male snap buttons from the pediatric top and discard.



## Install Pediatric Paper Strap

1. Screw the new male snap buttons into the pediatric top.



2. Align the snaps of the new strap to the front of the pediatric top and snap into place.

