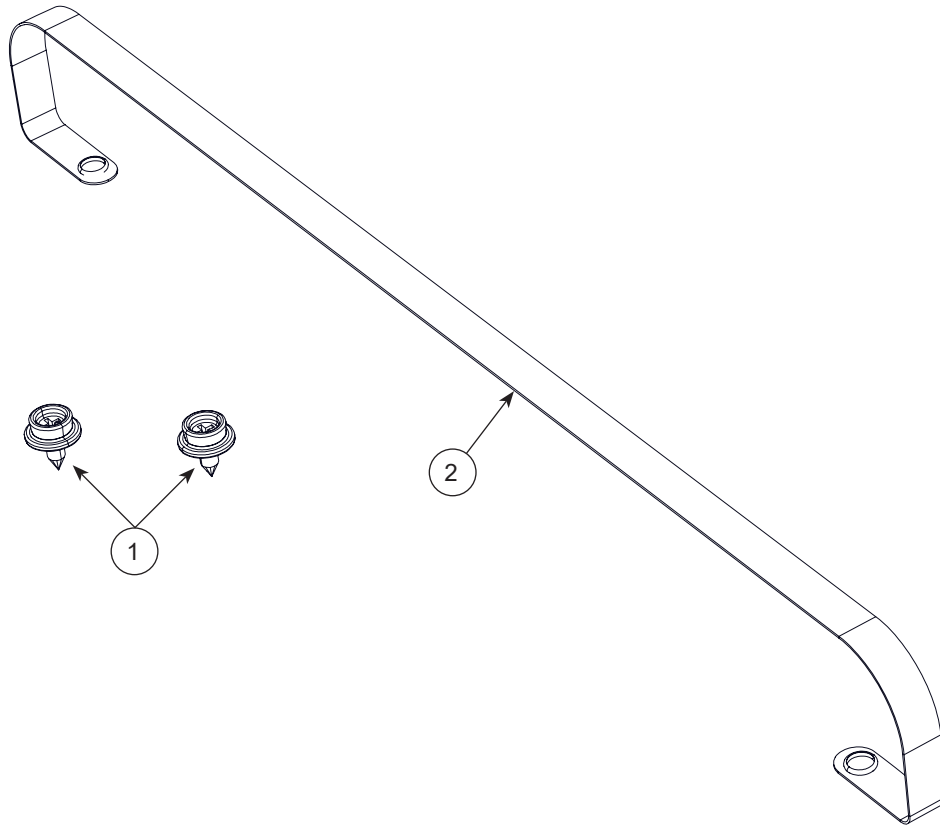


## 3500305 Adult Upholstery Paper Strap Accessory



Item No.	Description	Qty
1	Paper Strap	1
2	Male Snap Button	2

### Tools Required

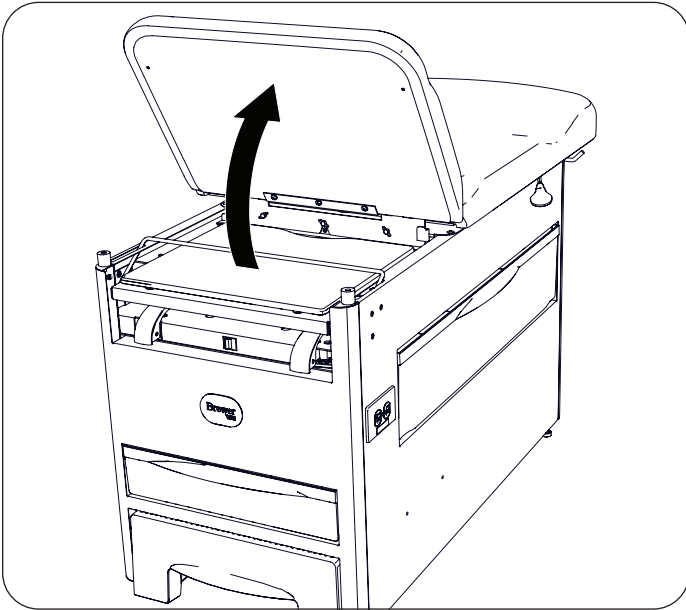
1. Phillips screwdriver

Registering your Brewer product is easy.  
Simply go to [brewercompany.com/warranty-registration](http://brewercompany.com/warranty-registration), fill out the information fields and click send.  
By registering your product today, you are better safeguarding your investment in the future.

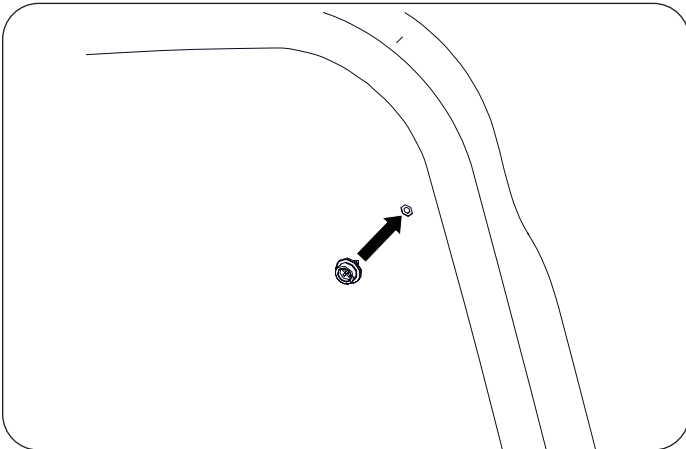
**The Brewer Company, LLC**  
N88 W13901 Main Street, Suite 100  
Menomonee Falls, WI 53051  
P 1.888.Brewer.1  
F 262.251.2332  
E [customerservice@brewercompany.com](mailto:customerservice@brewercompany.com)  
[www.brewercompany.com](http://www.brewercompany.com)

**Install the Paper Strap**

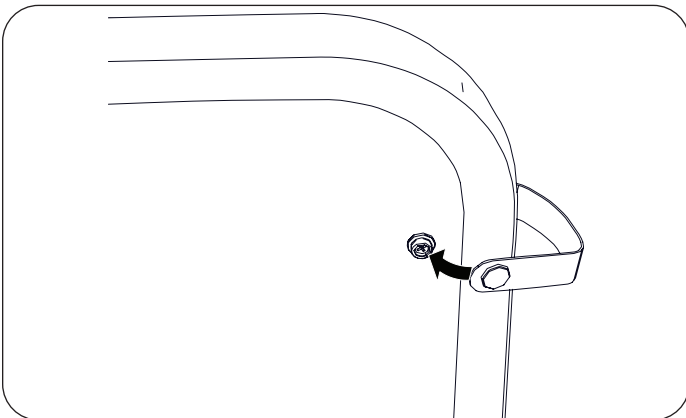
1. Lift the upholstered seat.



2. Screw the male snap buttons into the pre-drilled holes in the seat bottom.



3. Place the paper strap over the top of the upholstery and snap into position.



4. Lower the upholstered seat.

