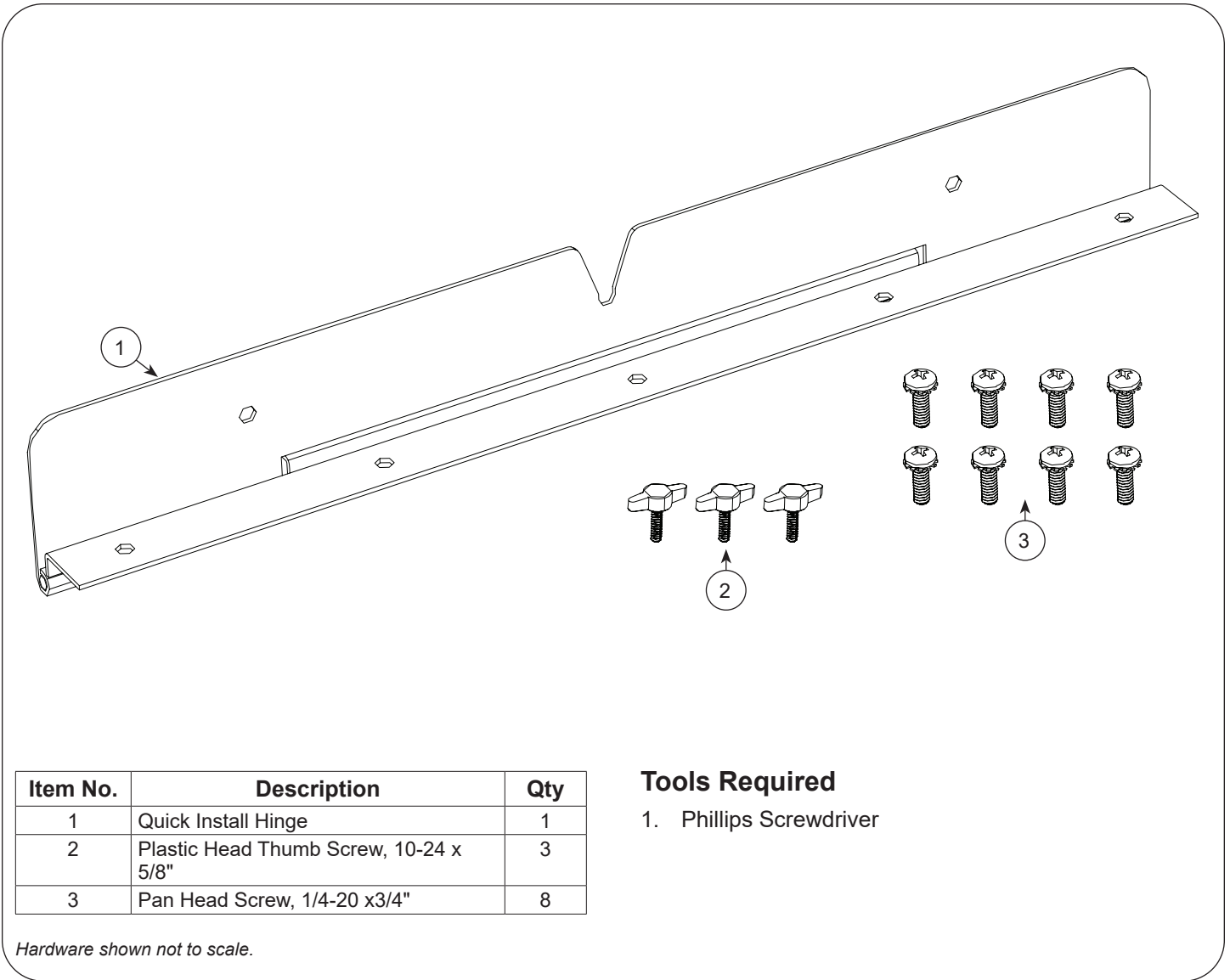


## 3500055 Adult Upholstery Hinge Service Kit



Item No.	Description	Qty
1	Quick Install Hinge	1
2	Plastic Head Thumb Screw, 10-24 x 5/8"	3
3	Pan Head Screw, 1/4-20 x 3/4"	8

### Tools Required

1. Phillips Screwdriver

Hardware shown not to scale.

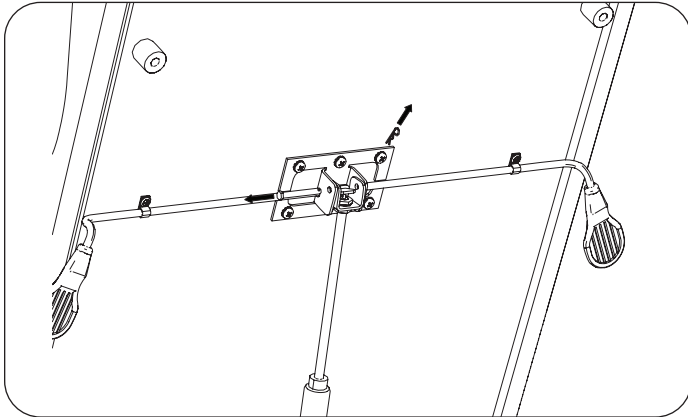
Registering your Brewer product is easy. Simply go to [brewercompany.com/warranty-registration](http://brewercompany.com/warranty-registration), fill out the information fields and click send. By registering your product today, you are better safeguarding your investment in the future.

**The Brewer Company, LLC**  
 N88 W13901 Main Street, Suite 100  
 Menomonee Falls, WI 53051  
 P 800.558.8777  
 F 262.251.2332  
 E [customerservice@brewercompany.com](mailto:customerservice@brewercompany.com)  
[www.brewercompany.com](http://www.brewercompany.com)

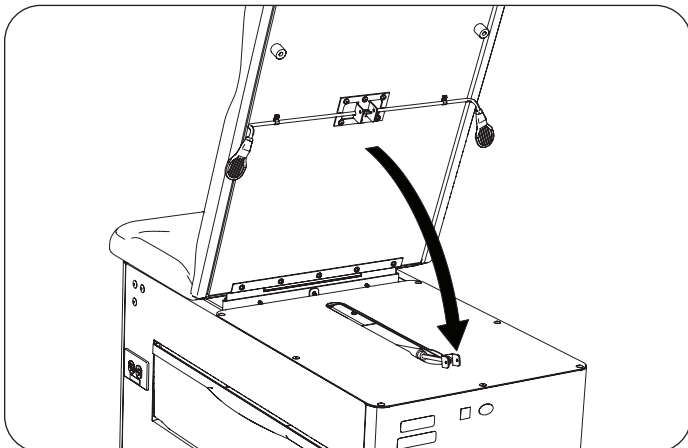
### Replace Adult Upholstery Hinge

*NOTE: The kit comes with parts you may not need to replace.*

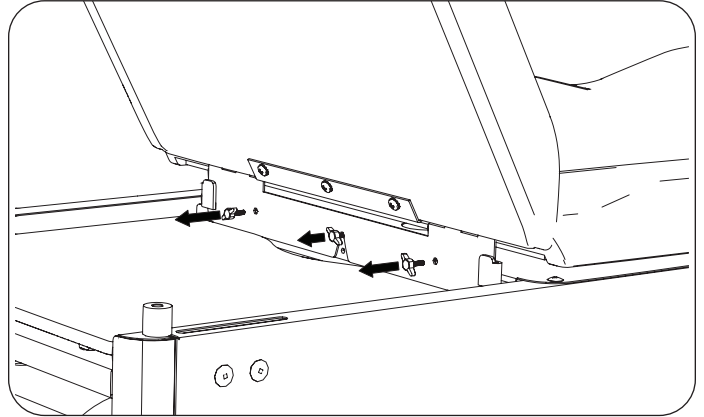
1. Remove the upper gas cylinder cotter pin and clevis pin. Do not allow backrest to lay forward onto seat or the upholstery may tear.



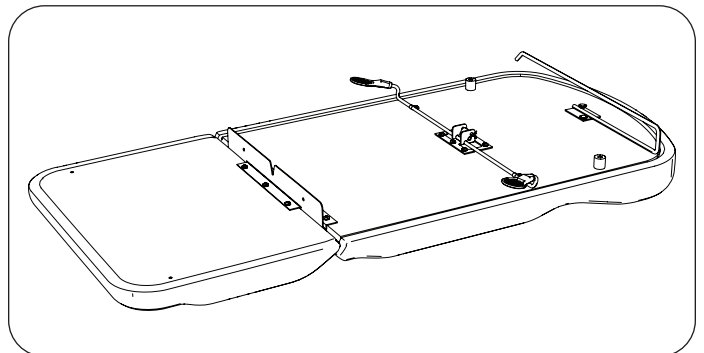
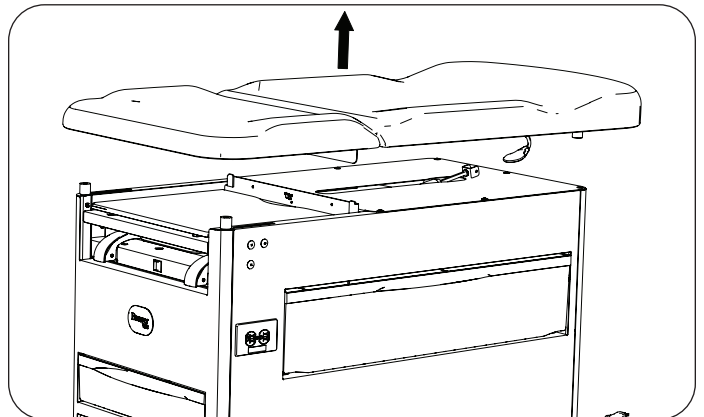
2. Rest gas cylinder on top cover plate.



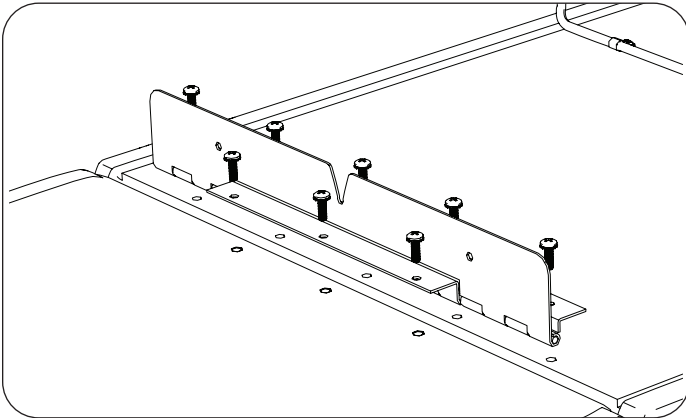
3. Lower back upholstery and raise seat. Do not allow seat to lay rearward onto backrest or the upholstery may tear. Loosen but do not remove center thumb screw. Remove two end thumb screws and set them aside to be installed onto new upholstery. Lower seat.



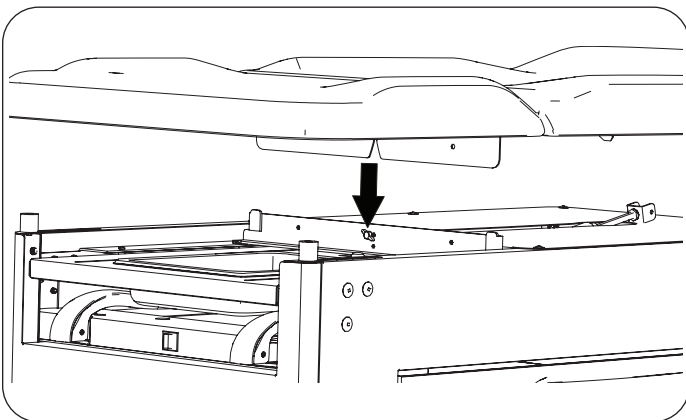
4. Lift upholstery off and turn over. Make sure to keep upholstery in the flat position to avoid tearing upholstery.



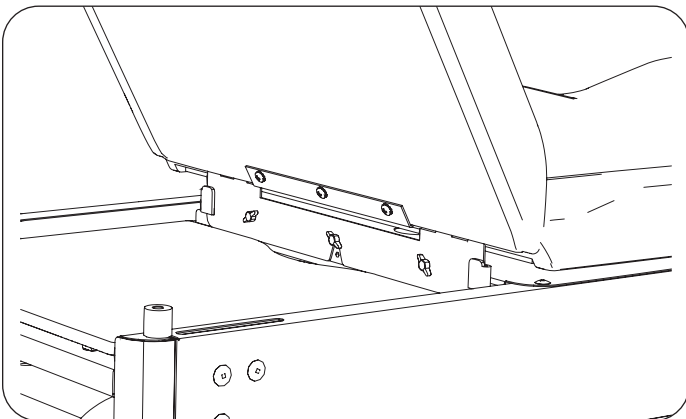
5. Remove eight hinge screws and remove hinge. Install new hinge using eight new screws provided.



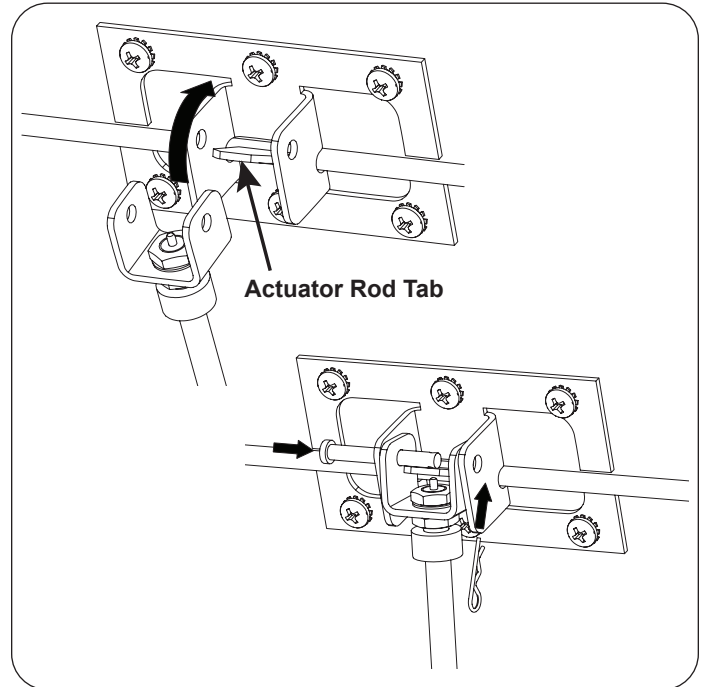
6. Place adult upholstery on table so the loose hinge blade slides into the table's attachment system. Make sure to keep upholstery in the flat position to avoid tearing upholstery.



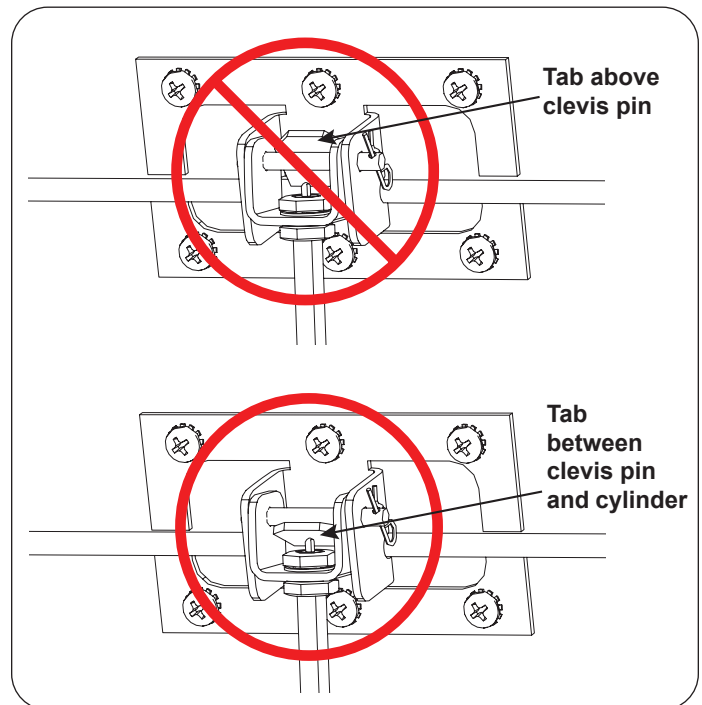
7. Raise seat. Do not allow seat to lay reward onto backrest or the upholstery may tear. Install two end thumb screws and tighten all three. Use new thumb screws provided if necessary.



8. Raise backrest. Do not allow backrest to lay forward onto seat or the upholstery may tear. Raise the gas cylinder up into the clevis seat located on the back surface of the backrest. Use the clevis pin and cotter pin to fasten the gas cylinder in place.



9. Ensure the tab on the actuator rod is between the clevis pin and cylinder.



10. Ensure the gas cylinder works correctly by raising and lowering the upholstered backrest several times.

