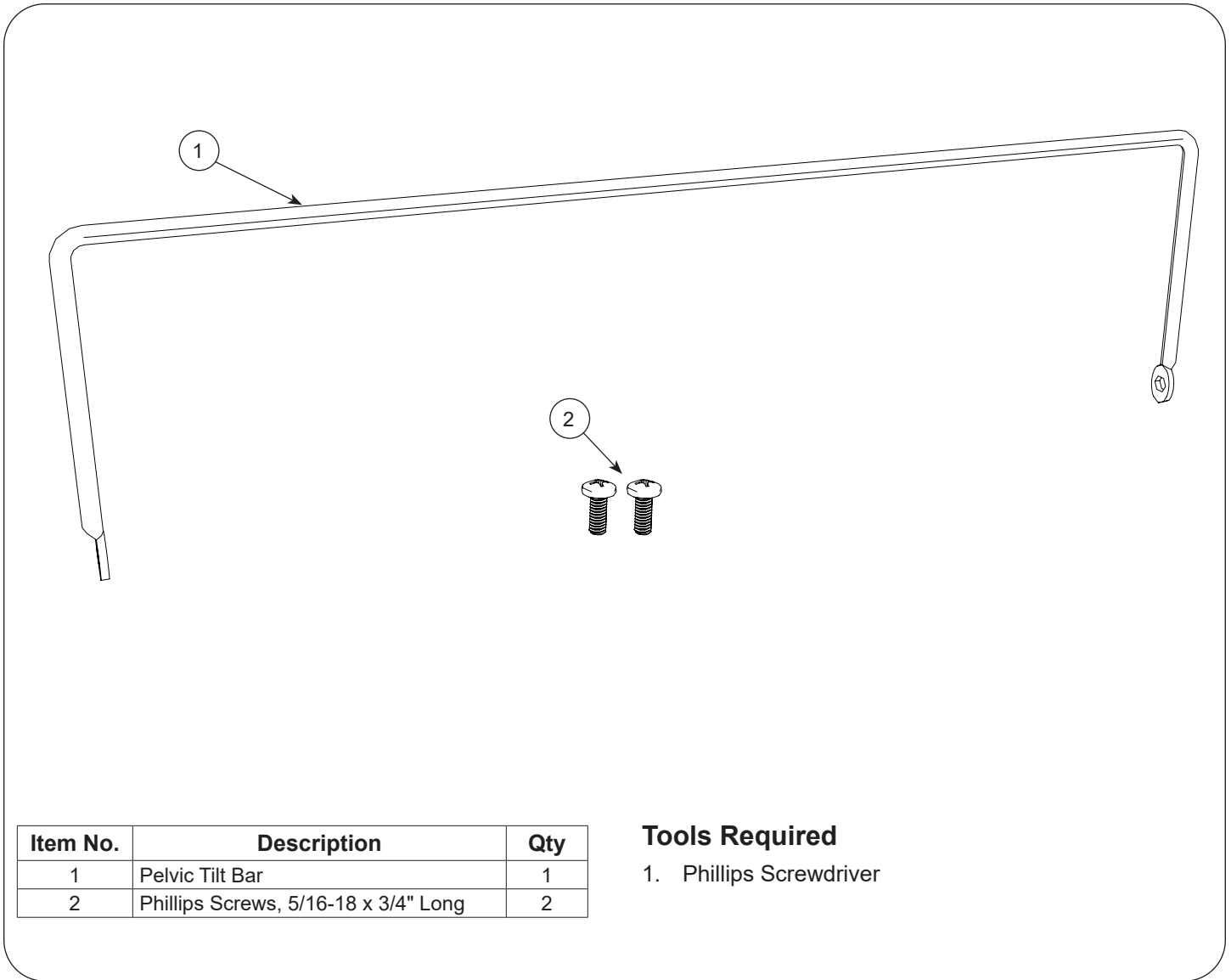


3500161 Pelvic Tilt Bar Service Kit

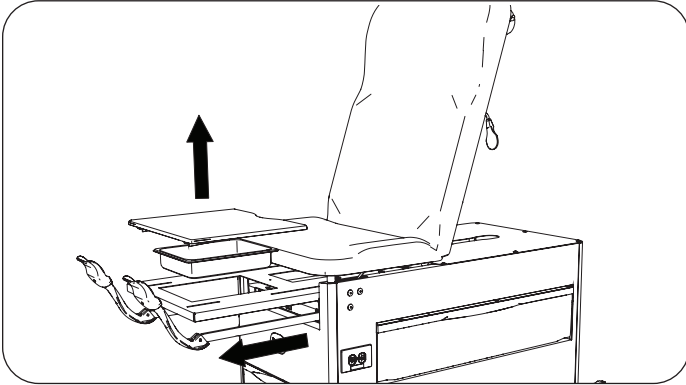


Registering your Brewer product is easy.
Simply go to brewercompany.com/warranty-registration, fill out the information fields and click send.
By registering your product today, you are better safeguarding your investment in the future.

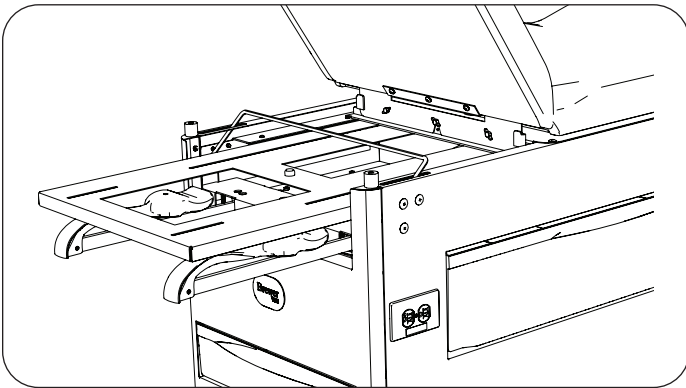
The Brewer Company, LLC
N88 W13901 Main Street, Suite 100
Menomonee Falls, WI 53051
P 800.558.8777
F 262.251.2332
E customerservice@brewercompany.com
www.brewercompany.com

Remove the Pelvic Tilt Bar

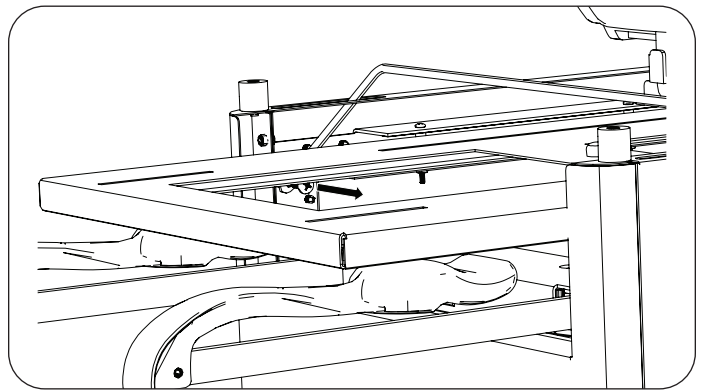
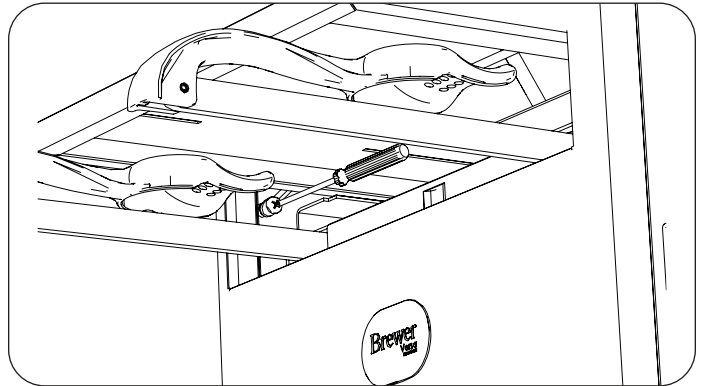
1. To gain access to inside of cabinet, pull out stirrups (if equipped) and leg extension. Remove upholstered pad and debris pan.



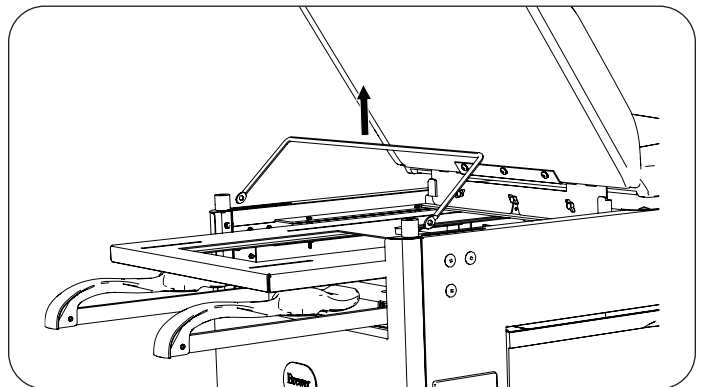
2. Lower back upholstery and raise seat. Do not allow seat to lay rearward onto backrest or the upholstery may tear. Prop seat in raised position (prop not shown).



3. With a Phillips screwdriver, reach through the debris pan opening and remove the two pelvic tilt screws.

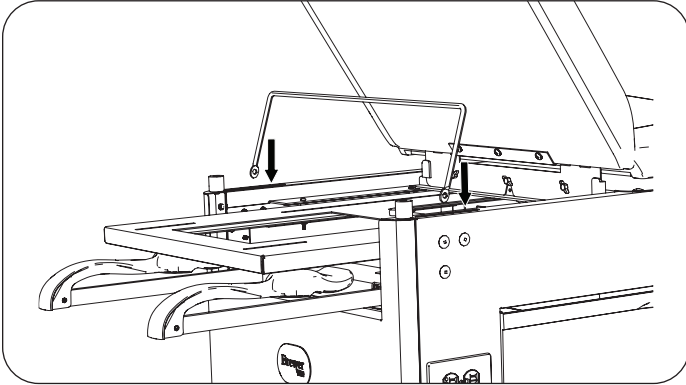


4. Remove pelvic tilt bar.

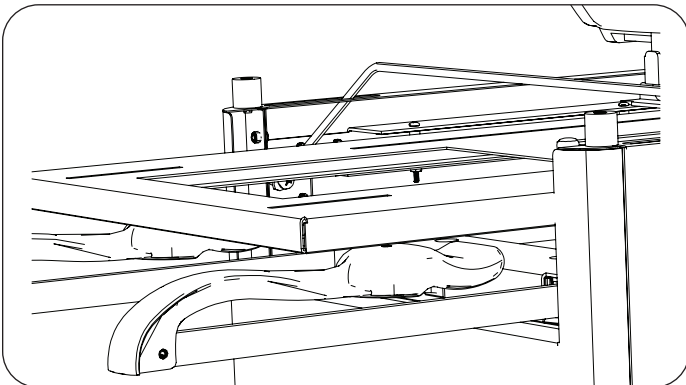
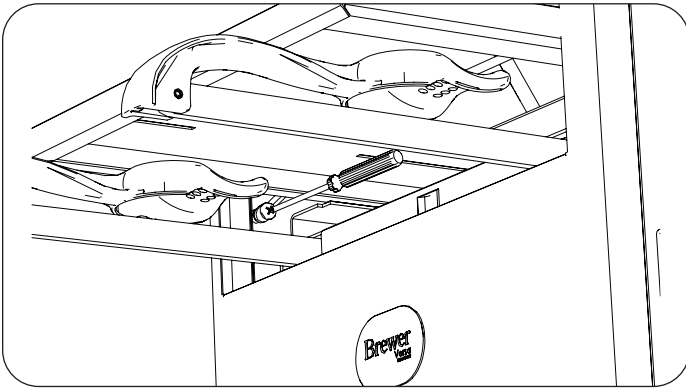


Attach the Pelvic Tilt Bar

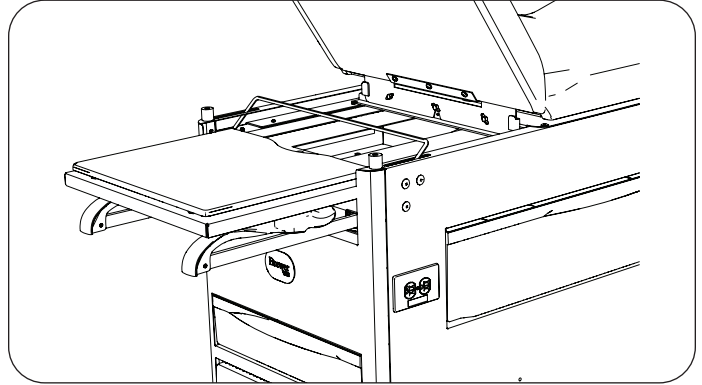
1. Insert new pelvic tilt bar into the pelvic tilt slots.



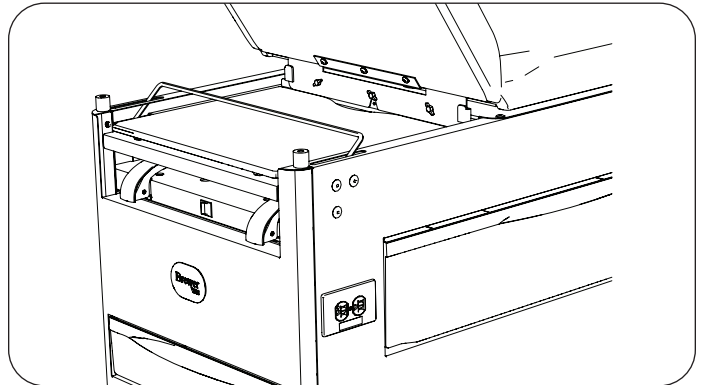
2. Fasten and tighten new pelvic tilt bar using two new screws provided.



3. Reinstall debris pan and upholstered pad.



4. Return leg extension and stirrups (if equipped) to stowed position.



5. Lower the upholstered seat.