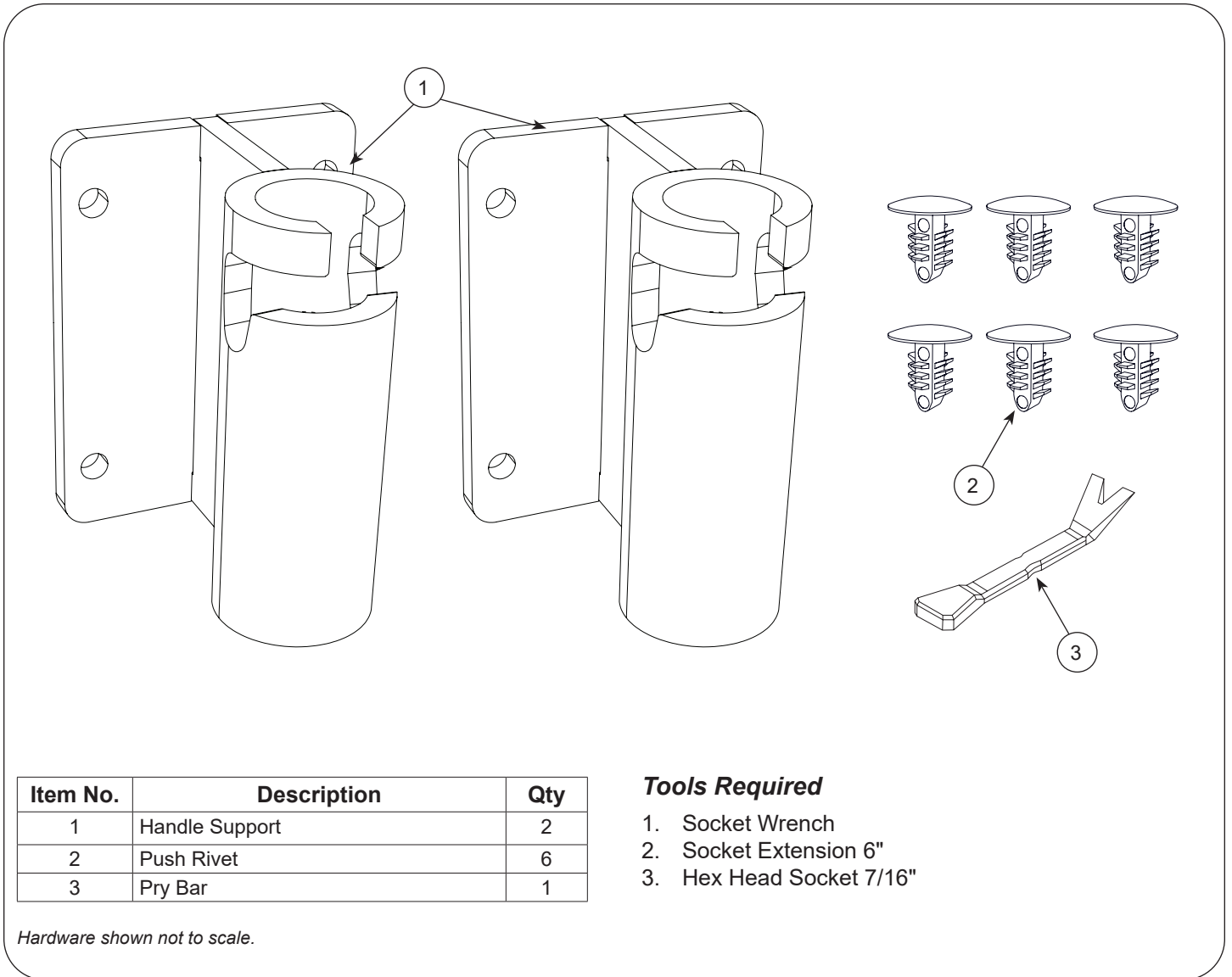


3500157 Handle Support Service Kit



Item No.	Description	Qty
1	Handle Support	2
2	Push Rivet	6
3	Pry Bar	1

Tools Required

1. Socket Wrench
2. Socket Extension 6"
3. Hex Head Socket 7/16"

Hardware shown not to scale.

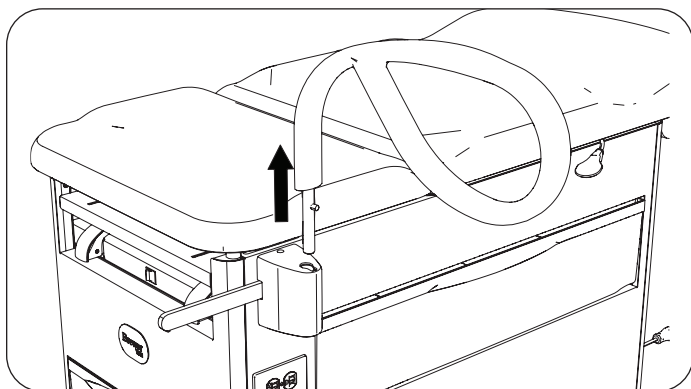
Registering your Brewer product is easy.
Simply go to brewercompany.com/warranty-registration, fill out the information fields and click send.
By registering your product today, you are better safeguarding your investment in the future.

The Brewer Company, LLC
N88 W13901 Main Street, Suite 100
Menomonee Falls, WI 53051
P 800.558.8777
F 262.251.2332
E customerservice@brewercompany.com
www.brewercompany.com

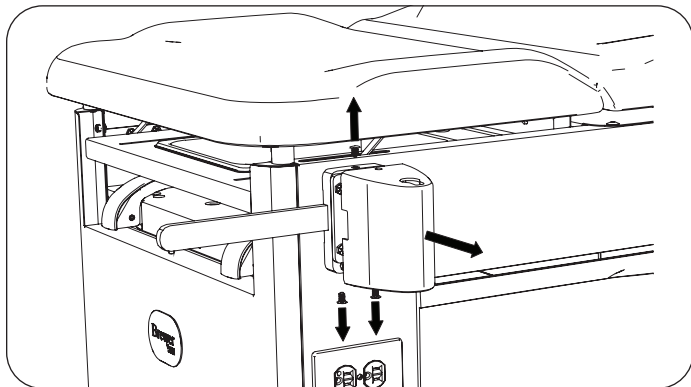
Note: The illustrations in this instruction show an exam table with an integral beam for a knee crutch attachment. Your table may not have this accessory. The steps to replace the handle support are the same for either configuration.

Replace Handle Supports

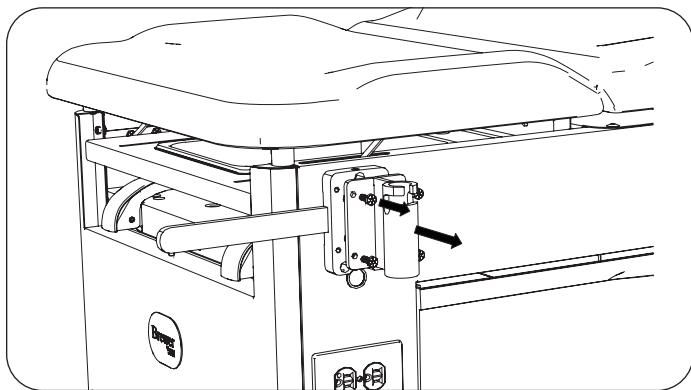
1. Remove assist handle.



2. Using supplied pry bar, remove three push rivets attaching handle support cover to handle support, one on top and two on bottom of cover. Remove cover.

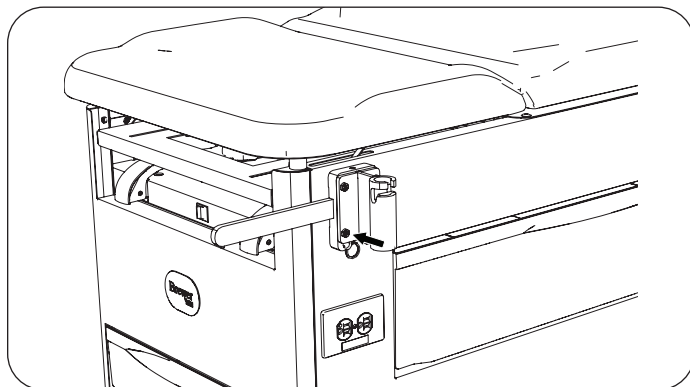


3. Remove four hex head bolts attaching handle support to mounting plate. Remove handle support and discard.

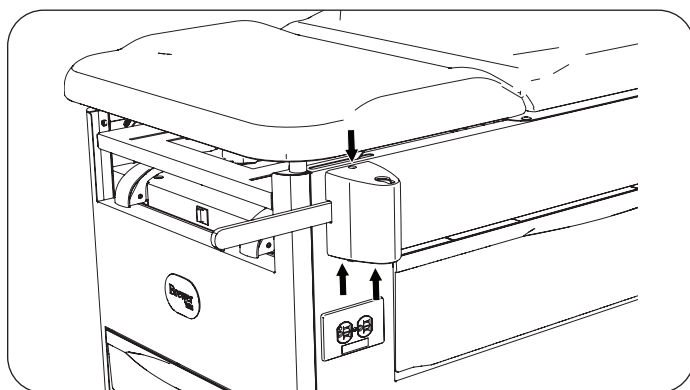


4. Attach new handle support to mounting plate using four hex head bolts.

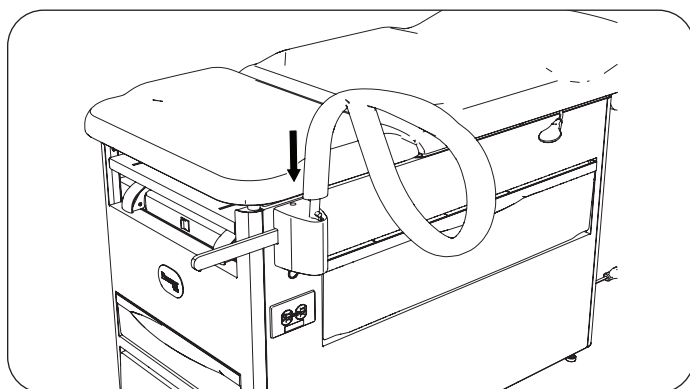
Note: Left and right handle supports are the same.



5. Attach handle support cover to handle support using three new push rivets, one on top and two on bottom of cover.



6. Install assist handle.



7. Repeat for opposite side of table.