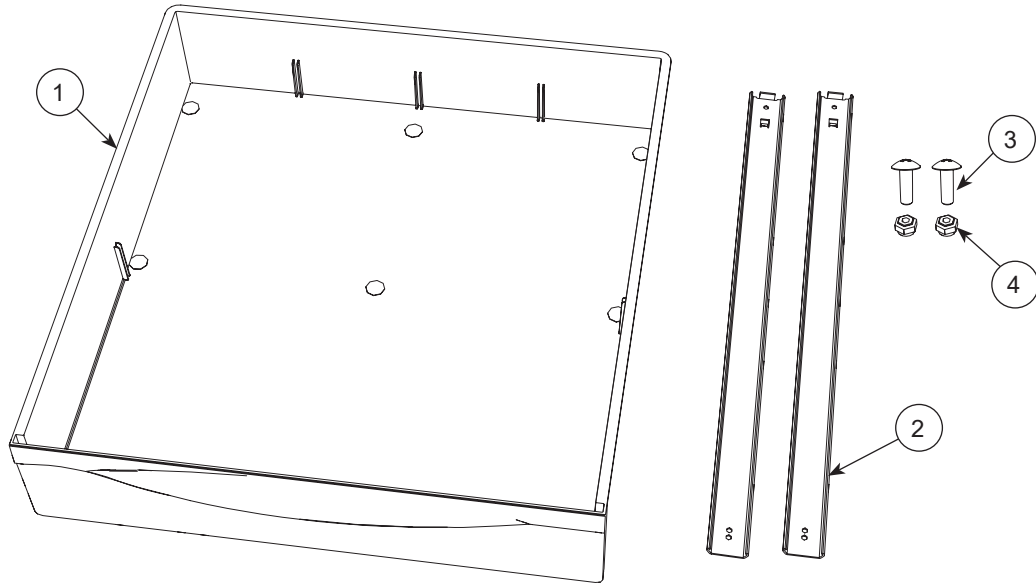


3500156 Front Drawer Assembly Service Kit



Item No.	Description	Qty
1	Front Drawer Assembly	1
2	Drawer Slide	2
3	#8 x 1/2" Truss Head Screw	2
4	#8 Hex Locking Nut	2

Tools Required

1. Power Drill with 3/16" Drill Bit
2. Phillips Screwdriver
3. 11/32" Socket or Open End Wrench

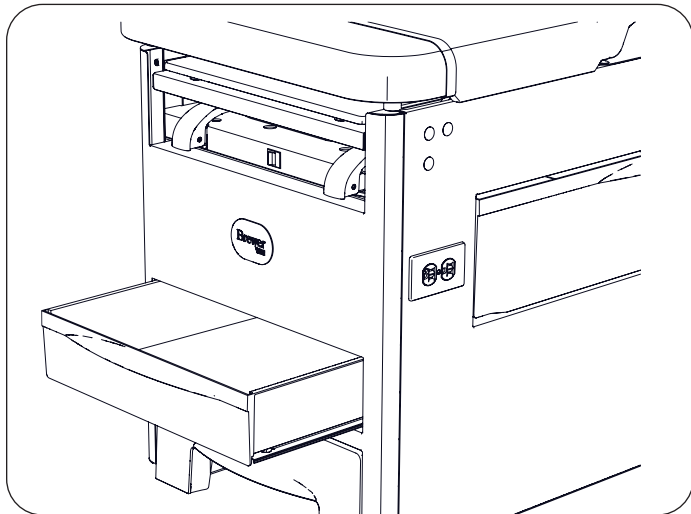
Hardware shown not to scale.

Registering your Brewer product is easy.
Simply go to brewercompany.com/warranty-registration, fill out the information fields and click send.
By registering your product today, you are better safeguarding your investment in the future.

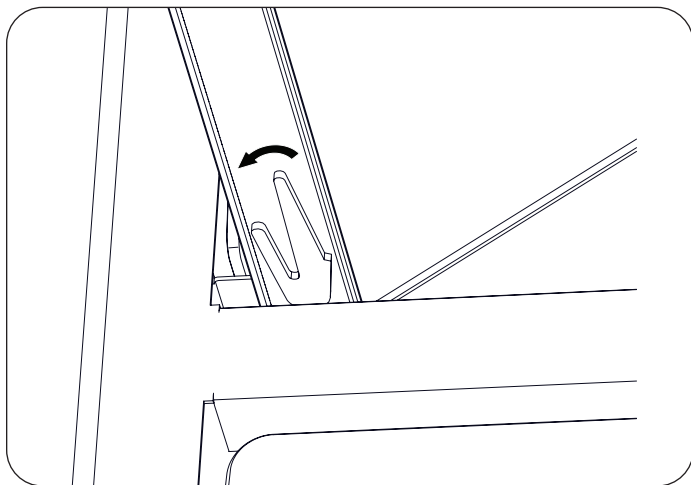
The Brewer Company, LLC
N88 W13901 Main Street, Suite 100
Menomonee Falls, WI 53051
P 800.558.8777
F 262.251.2332
E customerservice@brewercompany.com
www.brewercompany.com

Remove Front Drawer

1. Pull the front drawer out until it stops.



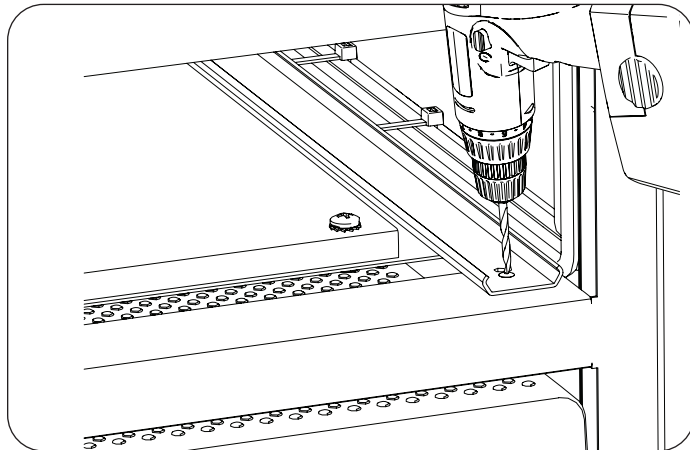
2. While facing the table reach below the drawer to locate the locking tabs. Push both tabs to the left and pull on drawer to remove it. Discard drawer. The illustration below shows a close-up of the locking tab.



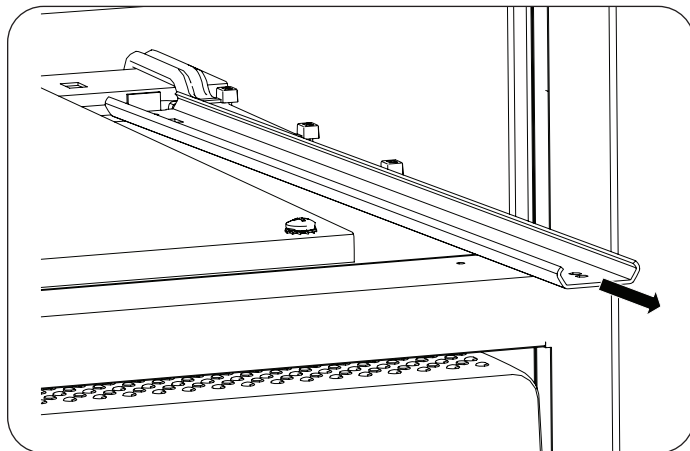
3. Inspect drawer slides inside table for damage.
4. If there is no damage, go to Install Front Drawer.

Replace Drawer Slides

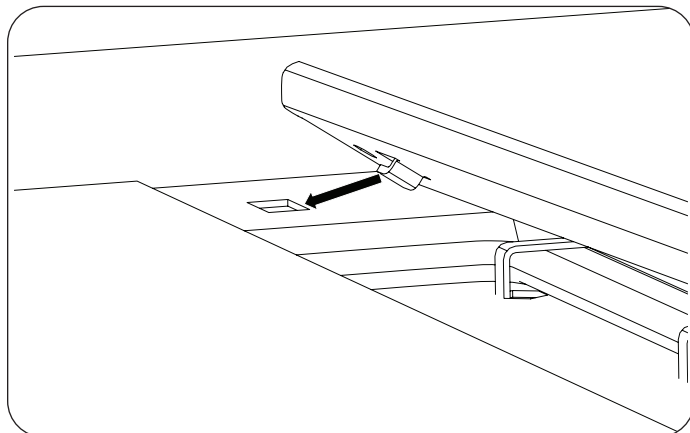
1. Using a drill with a 3/16" bit, remove the rivet attaching the front of the drawer slide to the cabinet. Repeat for the second drawer slide.



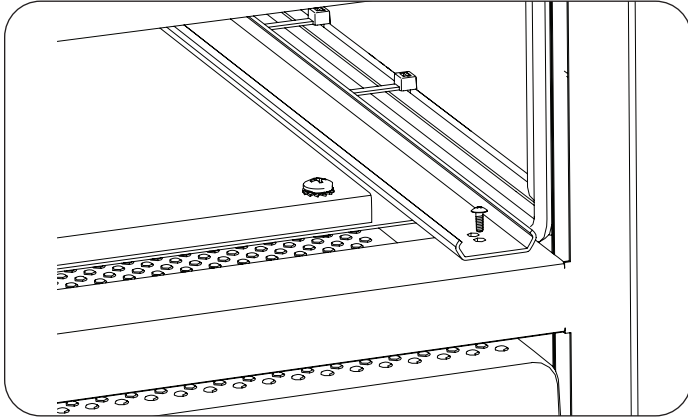
2. Lift front of drawer slides slightly and pull out of opening. Discard old drawer slides.



3. Locate the tab on the bottom side of the new drawer slide and the cut-out at the rear of the drawer opening. Insert the tab on the new drawer slide into the cut-out in the cabinet.

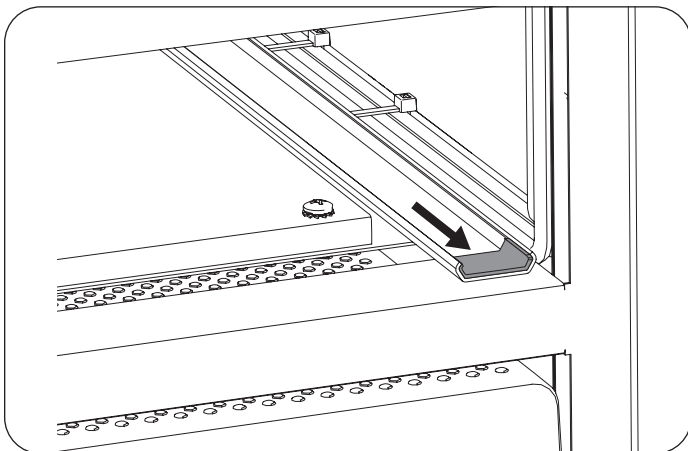


- Align the mounting hole in the front of the drawer slide with the hole in the front ledge of the drawer opening. Insert the #8 x 1/2" truss head screw and secure with #8 hex locking nut provided. Repeat for the second drawer slide.

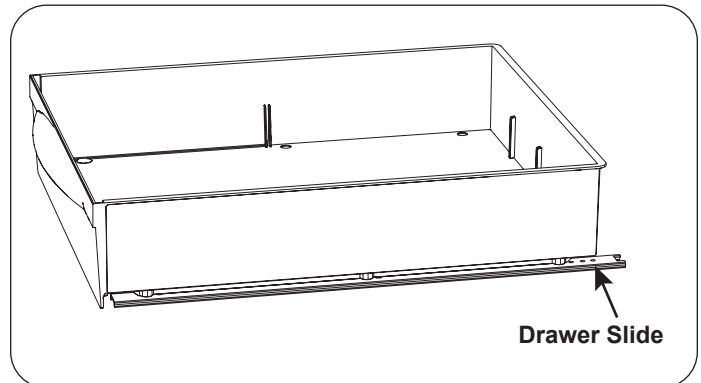


Install Front Drawer

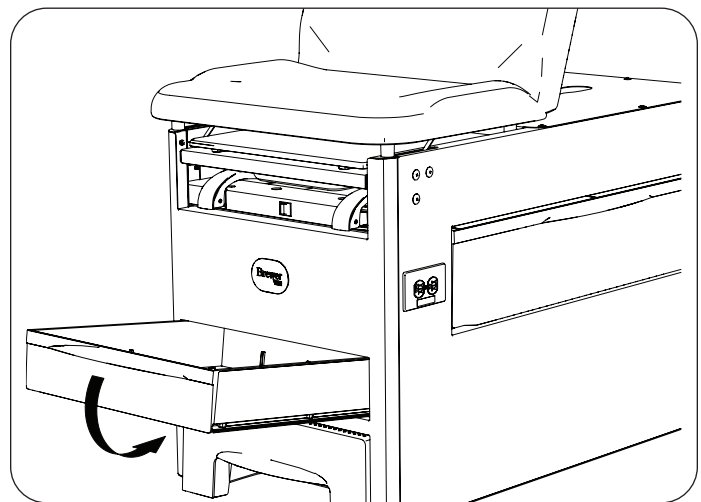
- Slide the glide track inside both drawer slides all the way to the front of the table.



- Place the drawer into the drawer opening. Align the drawer slides with the glide tracks.



- With the drawer angled slightly upward, push the drawer into the table.



- Open and close the drawer several times to ensure good operation.