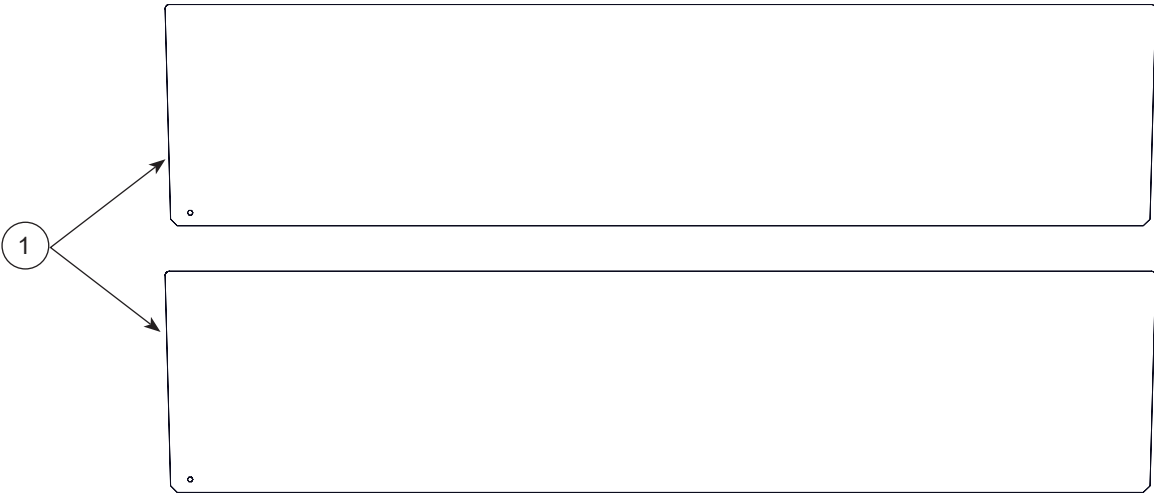


## 3500155 Rear Drawer Divider Service Kit



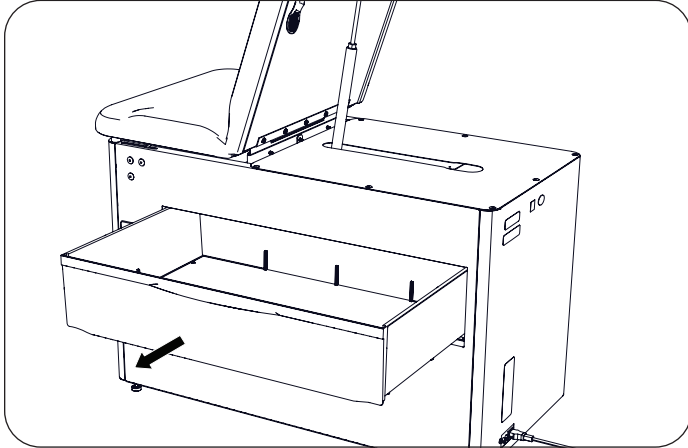
| Item No. | Description         | Qty |
|----------|---------------------|-----|
| 1        | Rear Drawer Divider | 2   |

Registering your Brewer product is easy.  
Simply go to [brewercompany.com/warranty-registration](http://brewercompany.com/warranty-registration), fill out the information fields and click send.  
By registering your product today, you are better safeguarding your investment in the future.

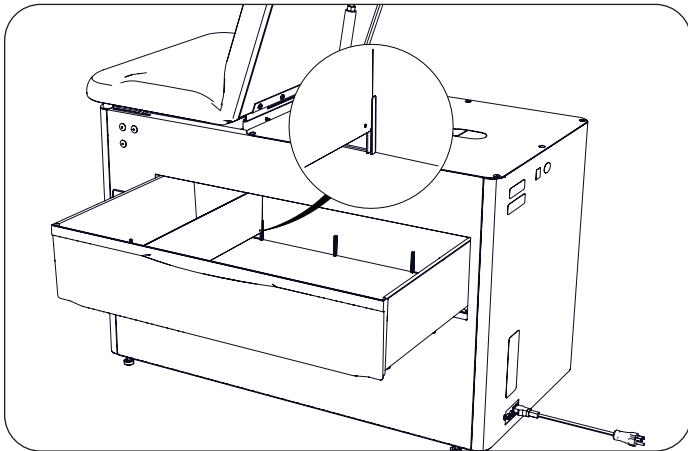
**The Brewer Company, LLC**  
N88 W13901 Main Street, Suite 100  
Menomonee Falls, WI 53051  
P 1.888.Brewer.1  
F 262.251.2332  
E [customerservice@brewercompany.com](mailto:customerservice@brewercompany.com)  
[www.brewercompany.com](http://www.brewercompany.com)

**Install the Rear Drawer Dividers**

1. Pull out rear drawer. There are three sets of divider ribs located on front and rear faces of the drawer opening.



2. Insert drawer dividers into coordinating divider ribs, making sure small hole in the divider is on the bottom.



3. Push in the rear drawer.

