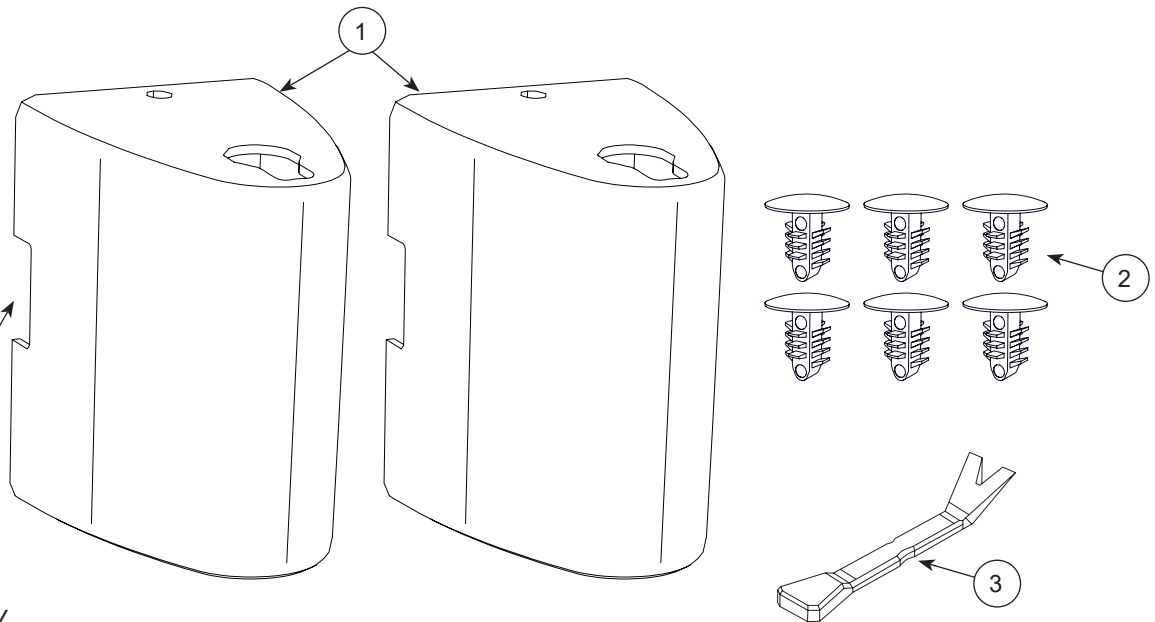


3500159 Handle Support Cover without Knee Crutch Service Kit 3500160 Handle Support Cover with Knee Crutch Service Kit



NOTE: Handle support covers may not have this notch.

Item No.	Description	Qty
1	Assist Handle Support Cover	2
2	Push Rivet	6
3	Pry Bar	1

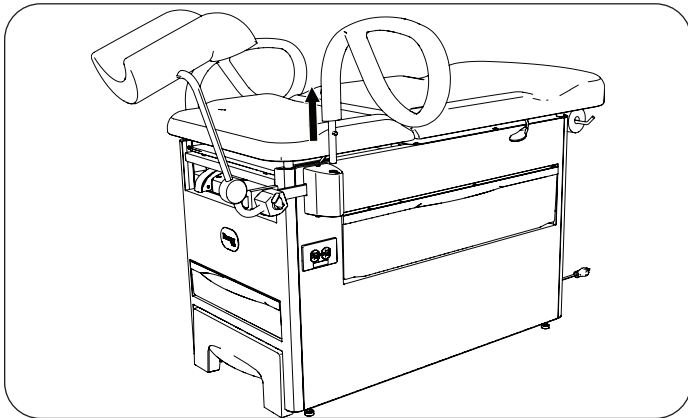
Hardware shown not to scale.

Registering your Brewer product is easy.
Simply go to brewercompany.com/warranty-registration, fill out the information fields and click send.
By registering your product today, you are better safeguarding your investment in the future.

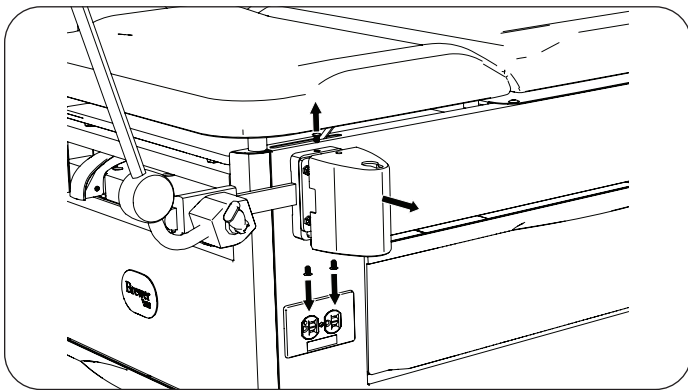
The Brewer Company, LLC
N88 W13901 Main Street, Suite 100
Menomonee Falls, WI 53051
P 800.558.8777
F 262.251.2332
E customerservice@brewercompany.com
www.brewercompany.com

Tables with Knee Crutches and Assist Handles

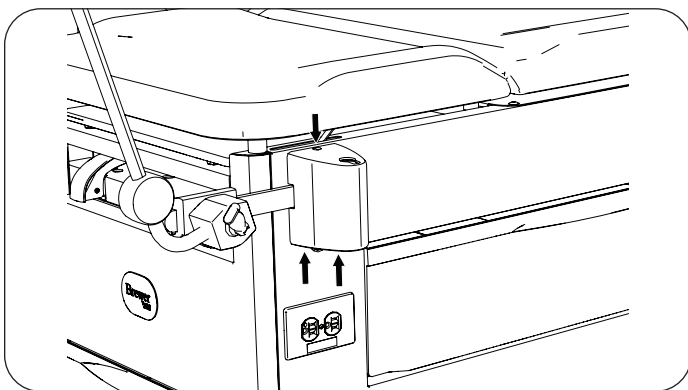
1. Remove assist handle (only one knee crutch illustrated).



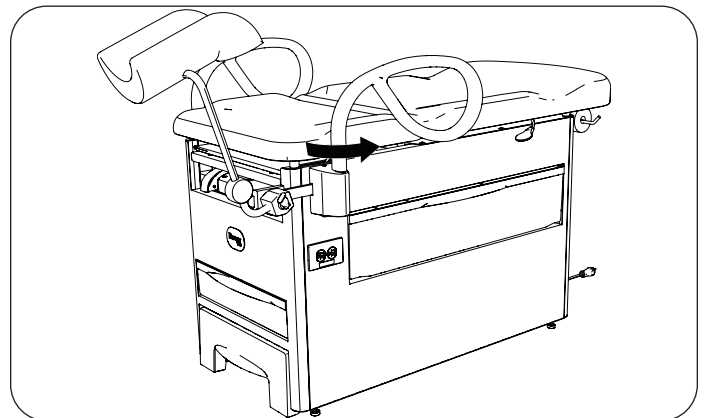
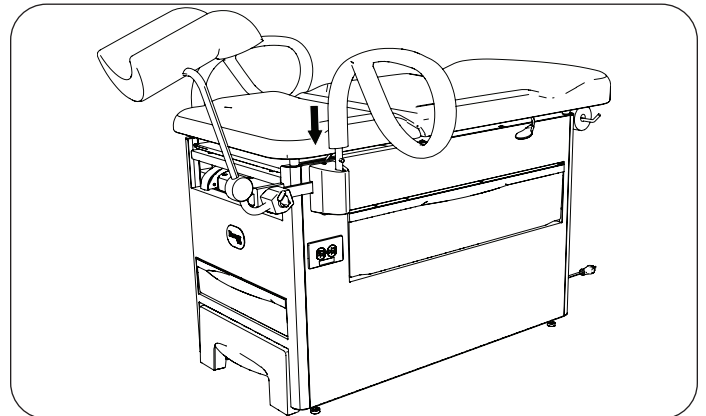
2. Using supplied pry bar, remove three push rivets attaching handle support cover to handle support, one on top and two on bottom of cover. Remove cover.



3. Install new handle support cover to handle support using three push rivets, one on top and two on bottom of cover.



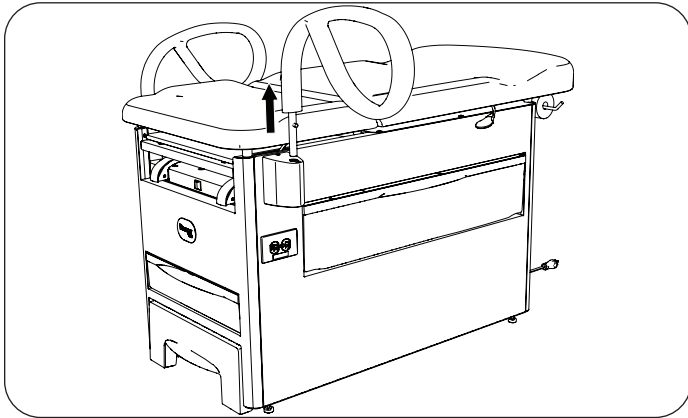
4. Install assist handle.



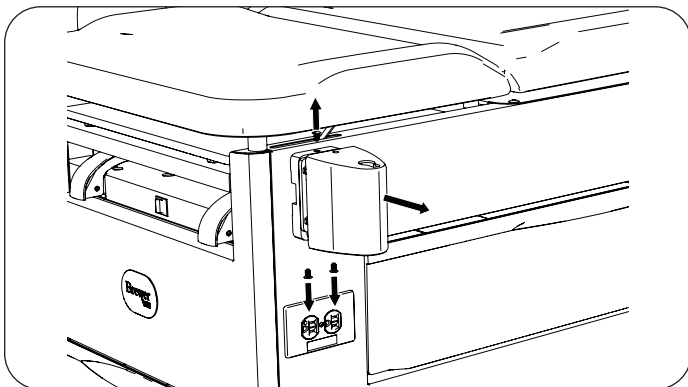
5. Repeat for opposite side of table.

Tables with Assist Handles

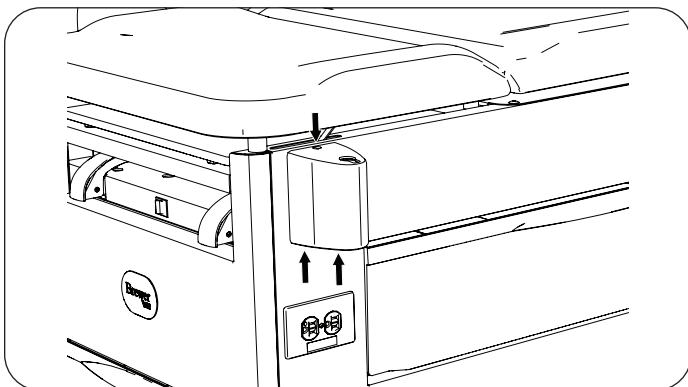
1. Remove assist handle.



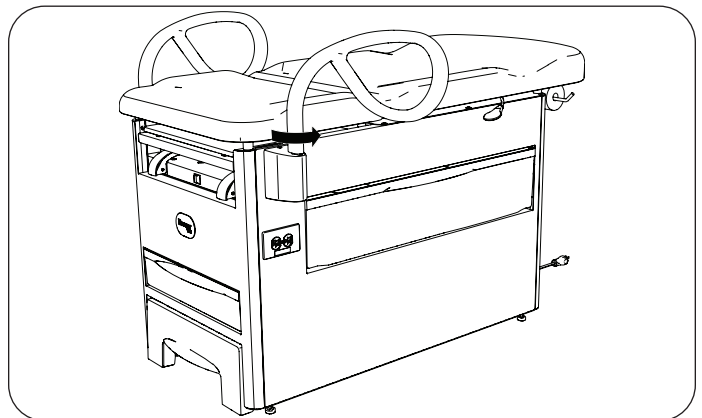
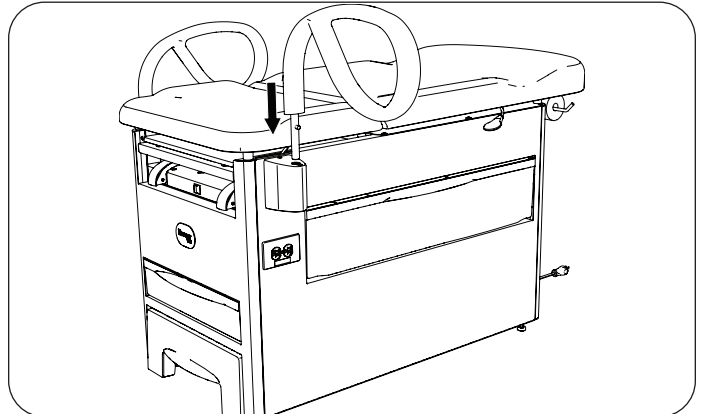
2. Using supplied pry bar remove three push rivets attaching handle support cover to handle support, one on top and two on bottom of cover. Remove cover.



3. Install new handle support cover to handle support using three push rivets, one on top and two on bottom of cover.



4. Install assist handle.



5. Repeat for opposite side of table.