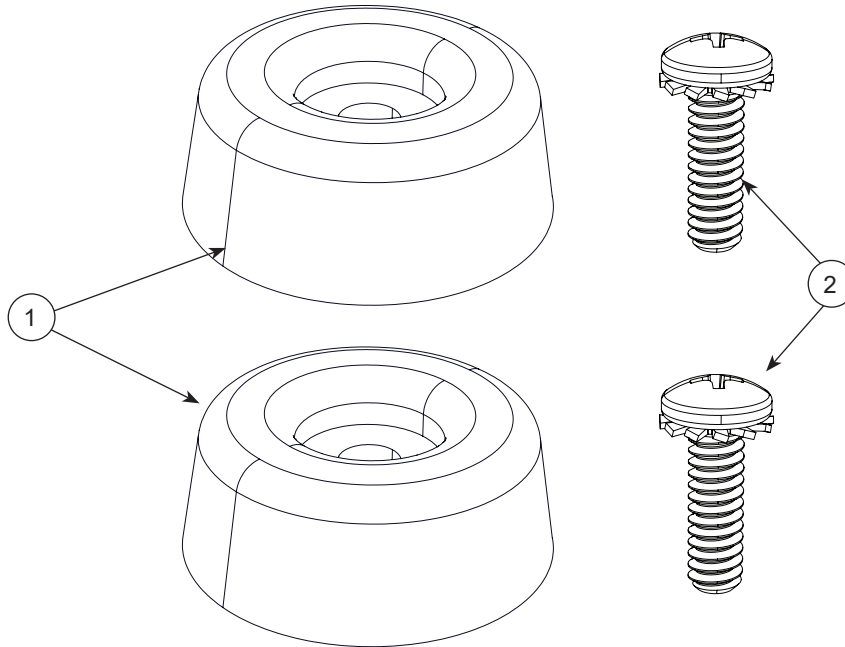


3500153 Step Bumper Service Kit



Item No.	Description	Qty
1	Bumper	2
2	Locking Screw, 10-24 x 5/8"	2

Tools Required

1. Phillips Screwdriver

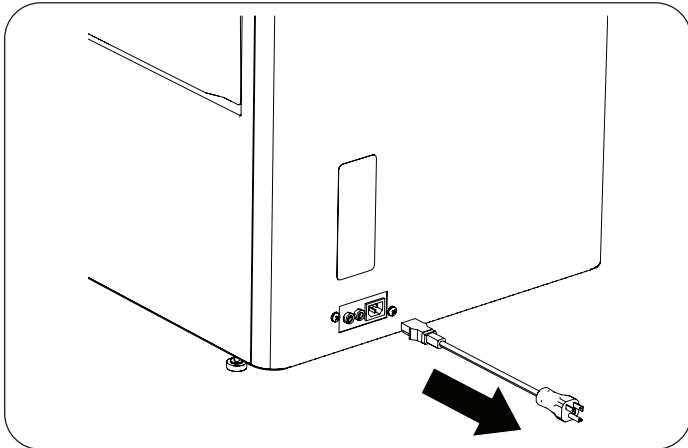
Registering your Brewer product is easy.
Simply go to brewercompany.com/warranty-registration, fill out the information fields and click send.
By registering your product today, you are better safeguarding your investment in the future.

The Brewer Company, LLC
N88 W13901 Main Street, Suite 100
Menomonee Falls, WI 53051
P 800.558.8777
F 262.251.2332
E customerservice@brewercompany.com
www.brewercompany.com

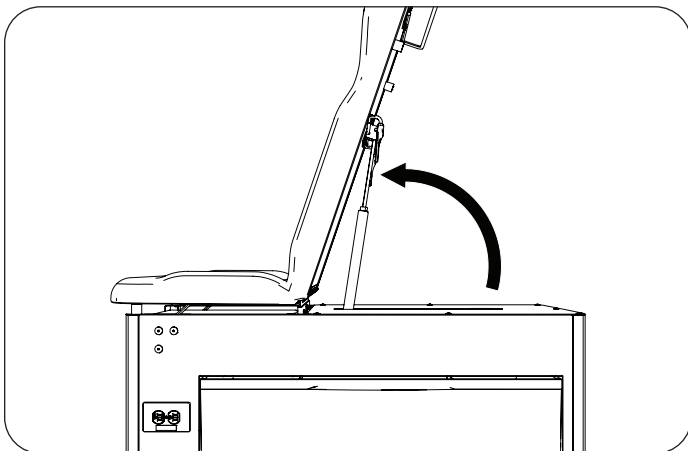
Adult and Pediatric Step Bumper Replacement

NOTE: This instruction can be used on either the adult table or the pediatric table.

1. If table is powered, unplug table from wall outlet and disconnect power cord from table.

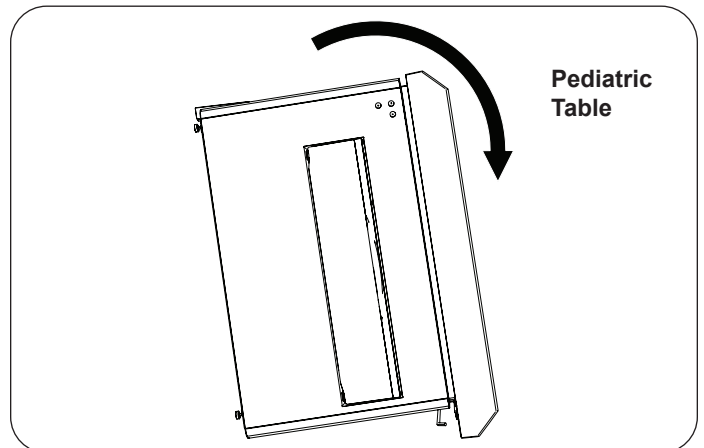
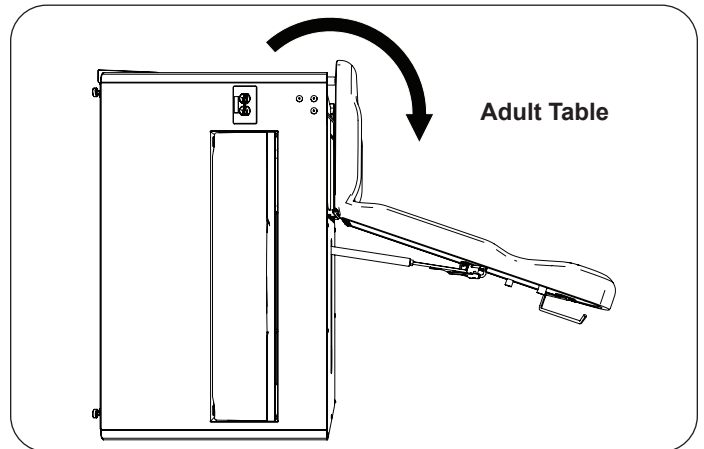


2. If working on an adult table, place backrest in the upright position.

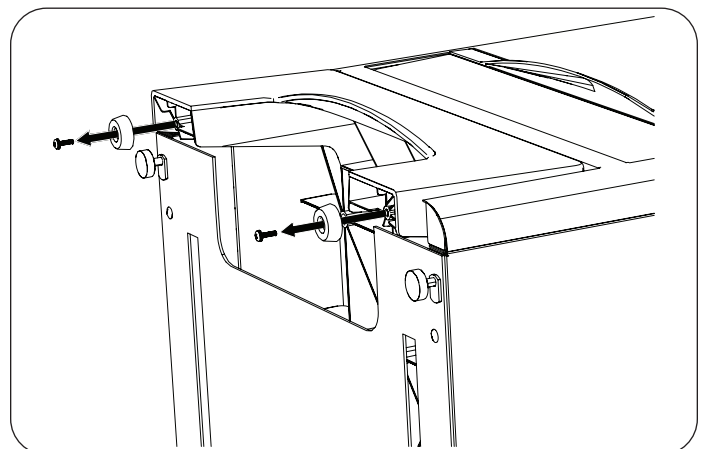


3. Remove the paper roll if present.
4. Empty front and side drawers.
5. Place protective material on floor to prevent damage to table or floor.

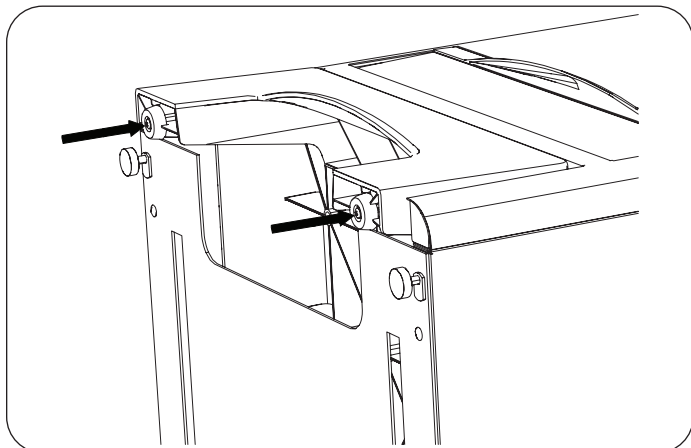
6. Using two people, turn table on its back end. The adult table will lay flat. The pediatric table will rest on its upholstery.



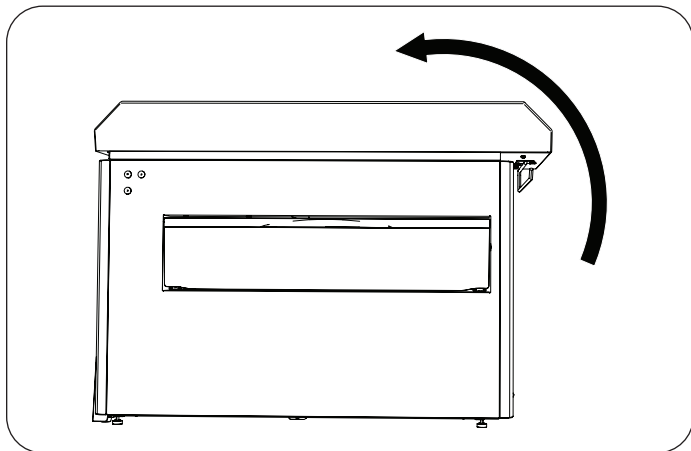
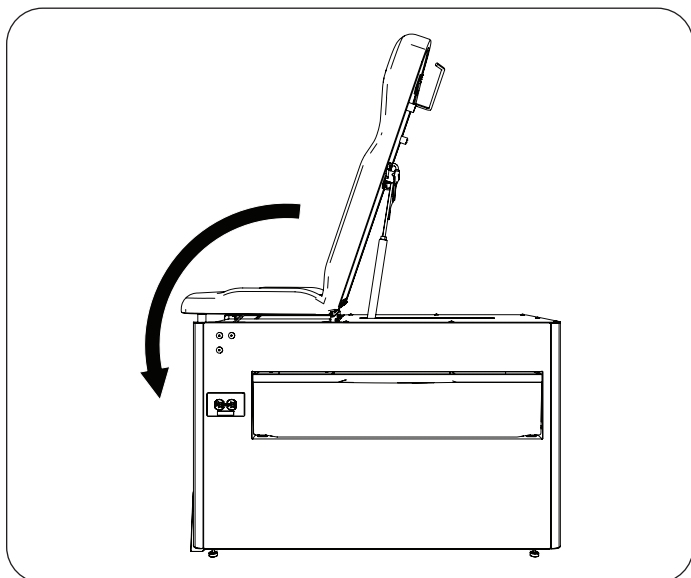
7. Remove locking screws and step bumpers.



8. Install new bumpers and hardware.



9. Return table to upright position.



10. If table is powered, reconnect power cord and plug cord into wall outlet.

