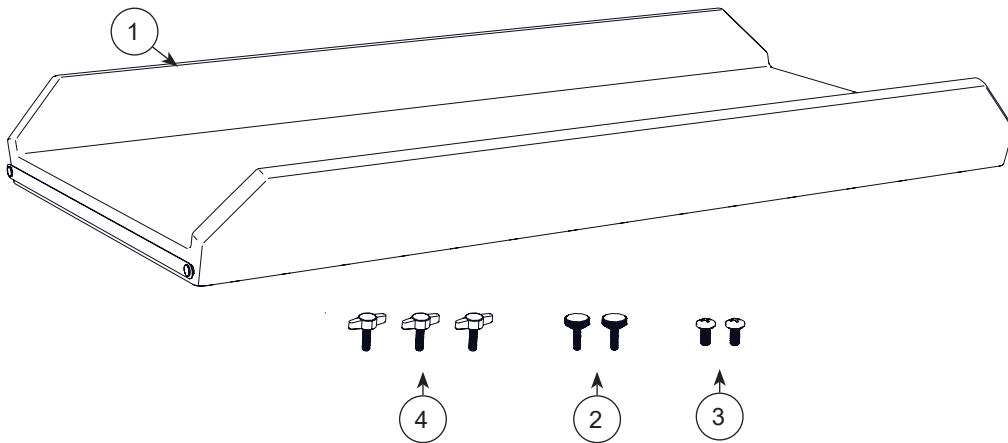


1000PT Pediatric Top Upholstery Replacment Service Kit



Item No.	Description	Qty
1	Pediatric Upholstery Assembly	1
2	Round Thumb Screw 10-24 x 3/4"	2
3	Screw 1/4-20 x .75"	2
4	Plastic-Head Thumb Screw 10-24 x 5/8"	3

Tools Required

1. Phillips screwdriver

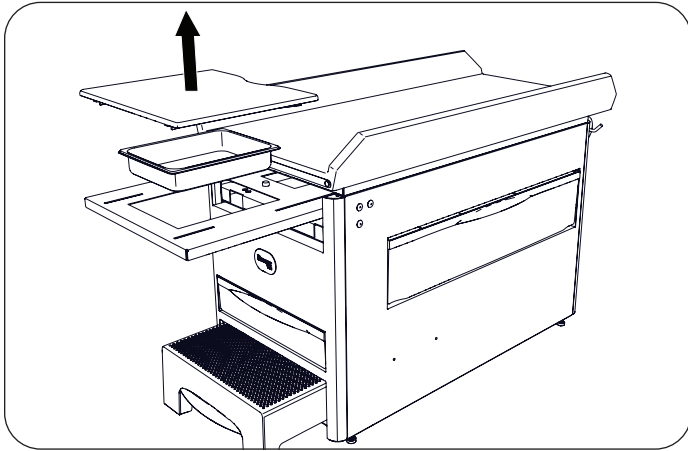
Hardware shown not to scale.

Registering your Brewer product is easy.
Simply go to brewercompany.com/warranty-registration, fill out the information fields and click send.
By registering your product today, you are better safeguarding your investment in the future.

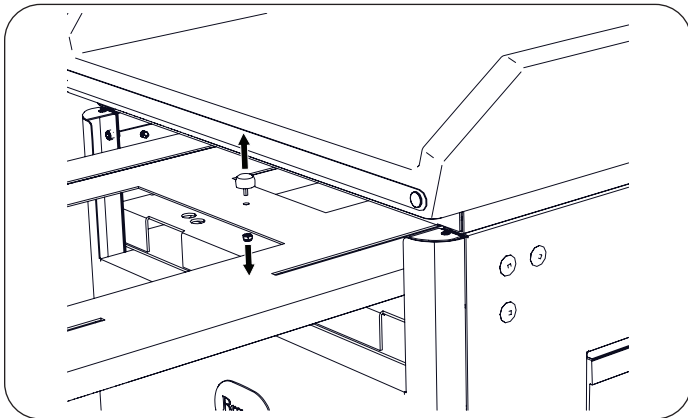
The Brewer Company, LLC
N88 W13901 Main Street, Suite 100
Menomonee Falls, WI 53051
P 800.558.8777
F 262.251.2332
E customerservice@brewercompany.com
www.brewercompany.com

Remove the Pediatric Top

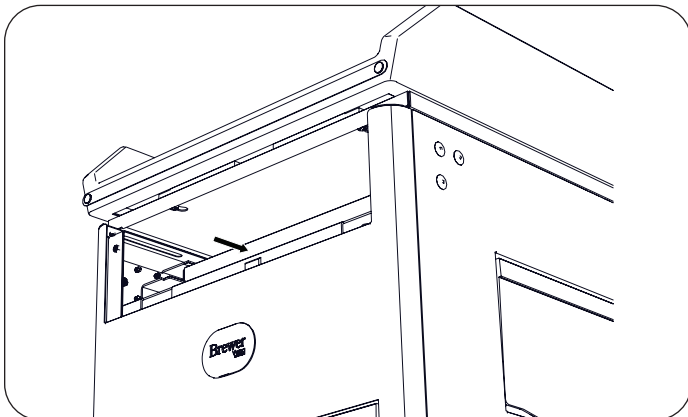
1. Pull out leg extension and remove toe pad and debris pan.



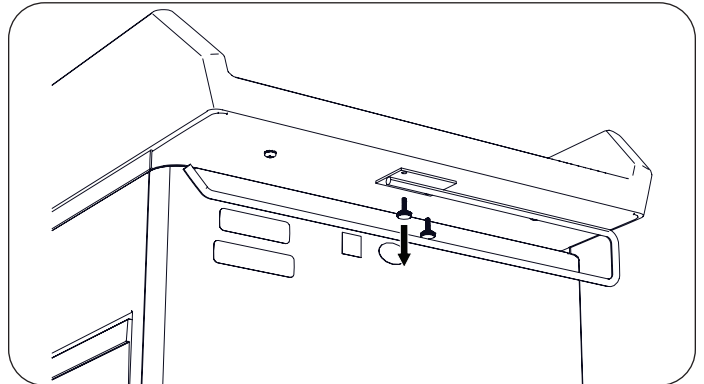
2. Remove leg extension bumper.



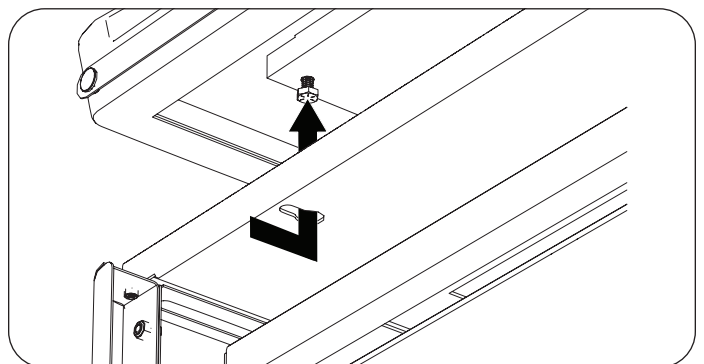
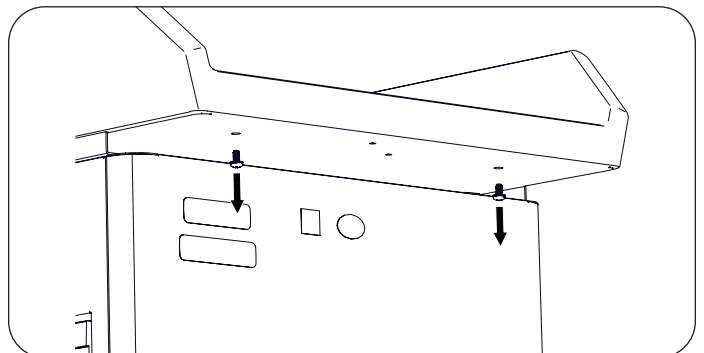
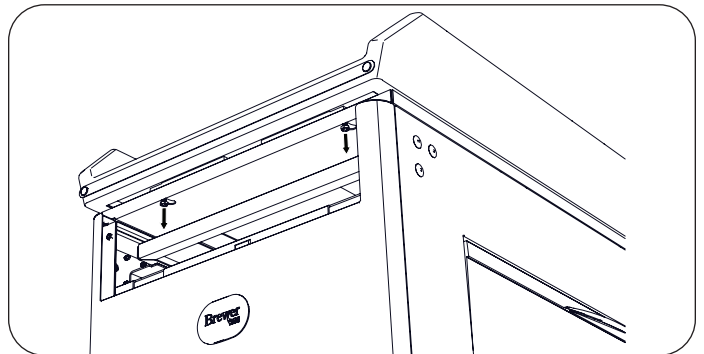
3. Push leg extension in to access pediatric top front mounting hex screws.



4. Remove paper roll holder by unscrewing the two round thumb screws.

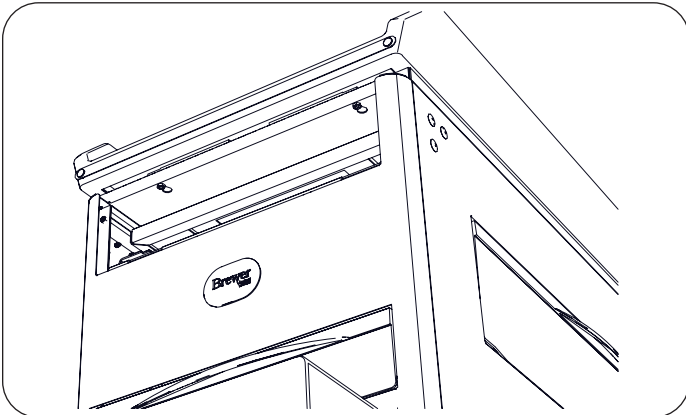
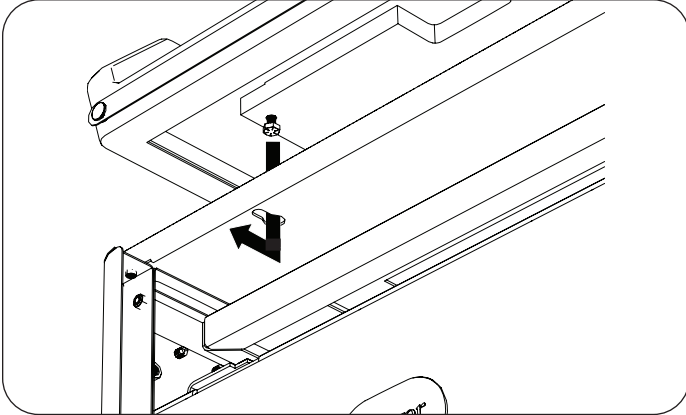


5. Loosen the pediatric top front hex screws and remove rear screws. Slide pediatric top towards the rear of the table so the front hex screws can clear the keyhole openings in the mounting plate. Remove the pediatric top.

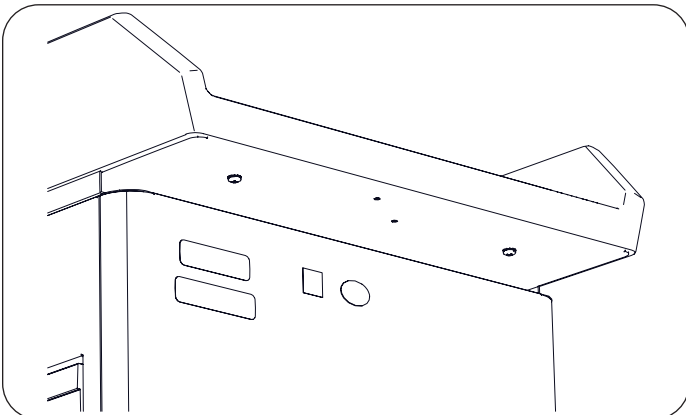


Attach the Pediatric Top

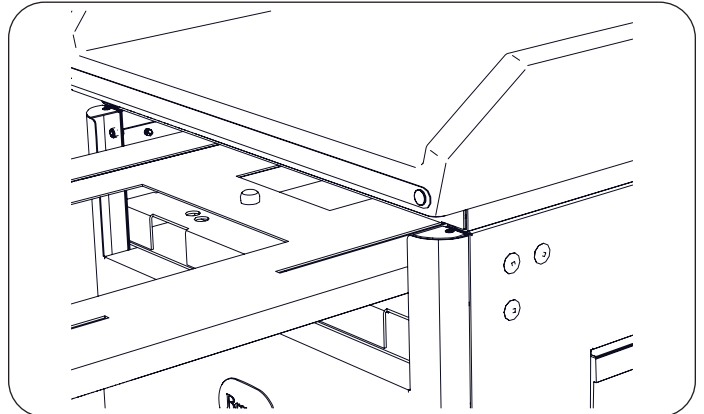
1. Place pediatric top on mounting plate using front hex screws. Guide hex screws into keyhole slots and push pediatric top towards the front of the table. Make sure hex screws are all the way into the keyhole slots, then tighten (push leg extension in as required to get at hex screws).



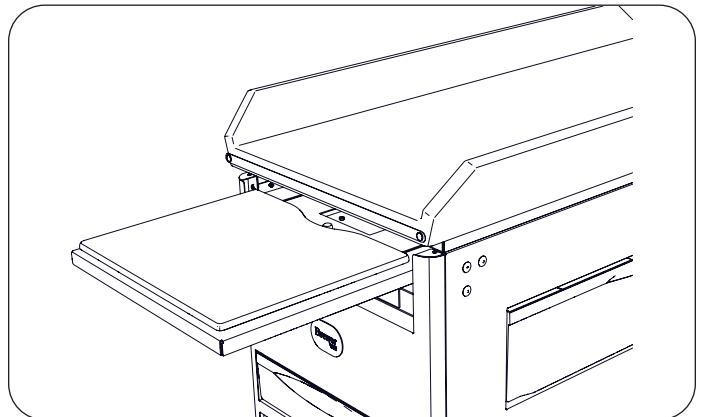
2. Fasten rear screws thru the mounting plate and in to the pediatric top at the rear of the table.



3. Pull out leg extension and install bumper.



4. Insert debris pan and drop in toe board.



5. Fasten paper roll holder in desired orientation with round thumb screws.

