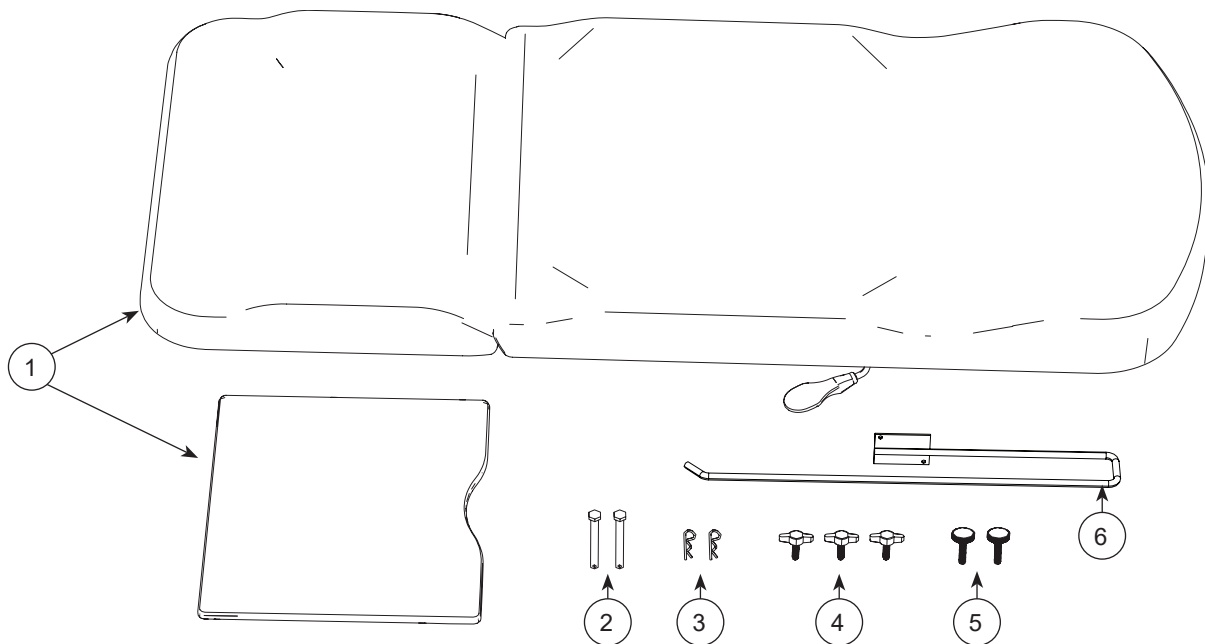


1000AT Replacing Adult Upholstery with Adult Upholstery 1000AT Attaching Adult Upholstery to Base Table



Item No.	Description	Qty
1	Adult Upholstery	1
2	Clevis Pin 1/4" Dia, 1-7/8" Long	2
3	Cotter Pin, 1/16"	2
4	Thumb Screw 10-24 x 5/8"	3
5	Round Head Thumb Screw 10-24 x 3/4"	2
6	Paper Roll Holder	1

Hardware shown not to scale.

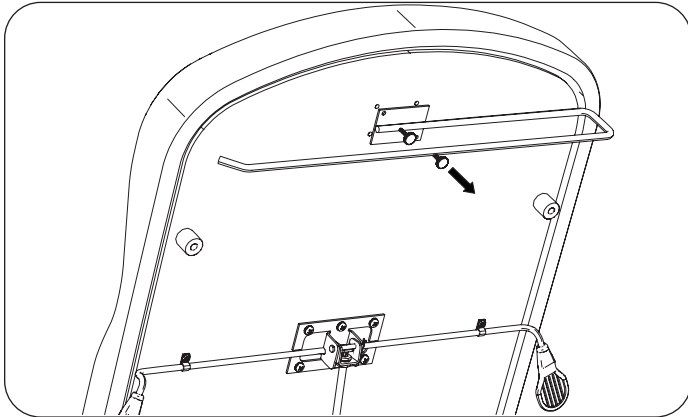
Registering your Brewer product is easy.
Simply go to brewercompany.com/warranty-registration, fill out the information fields and click send.
By registering your product today, you are better safeguarding your investment in the future.

The Brewer Company, LLC
N88 W13901 Main Street, Suite 100
Menomonee Falls, WI 53051
P 1.888.Brewer.1
F 262.251.2332
E customerservice@brewercompany.com
www.brewercompany.com

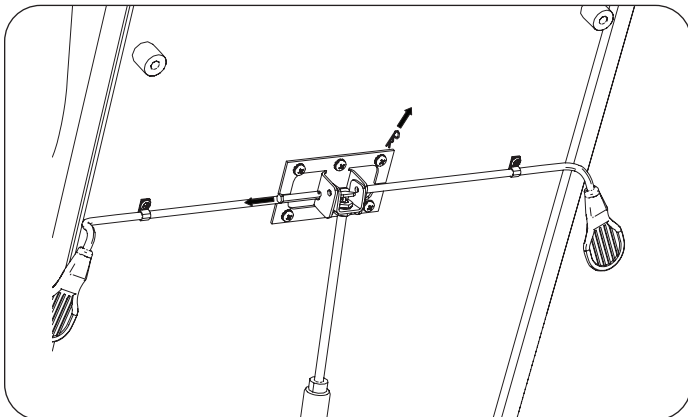
Replace an Existing Adult Upholstery

NOTE: The kit comes with parts you may not need to replace.

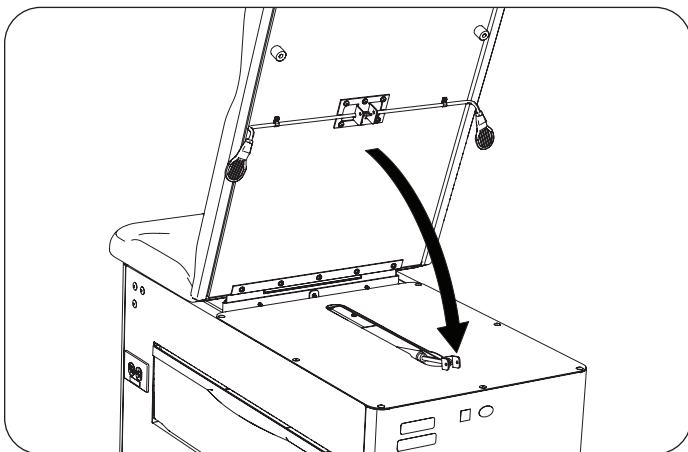
1. If you have a paper roll holder, remove it by removing round thumb screws.



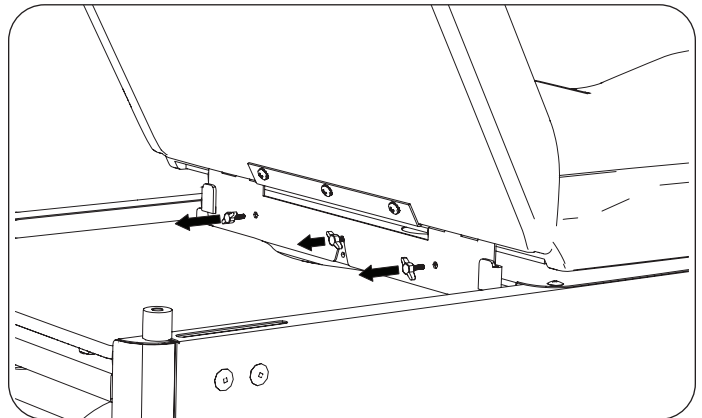
2. Remove the upper gas cylinder cotter pin and clevis pin.



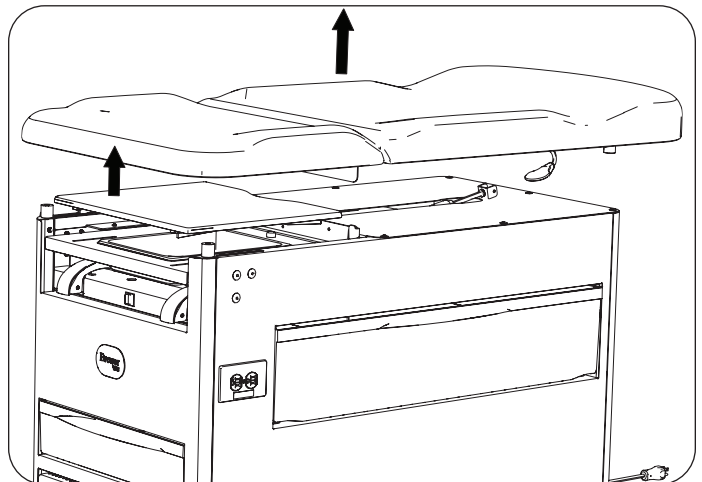
3. Rest gas cylinder on top cover plate.



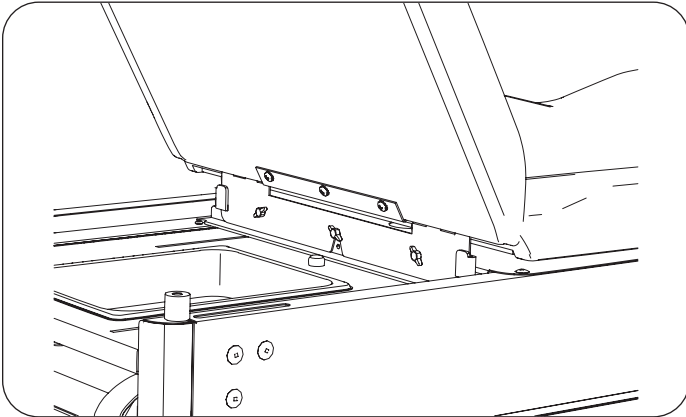
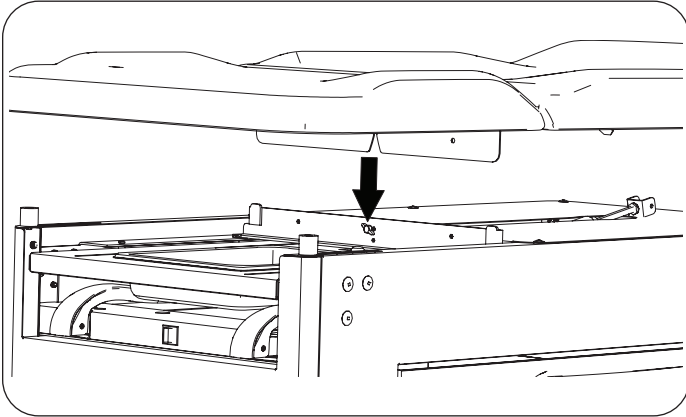
4. Lower back upholstery and raise seat. Remove two end thumb screws and loosen but do not remove center thumb screw.



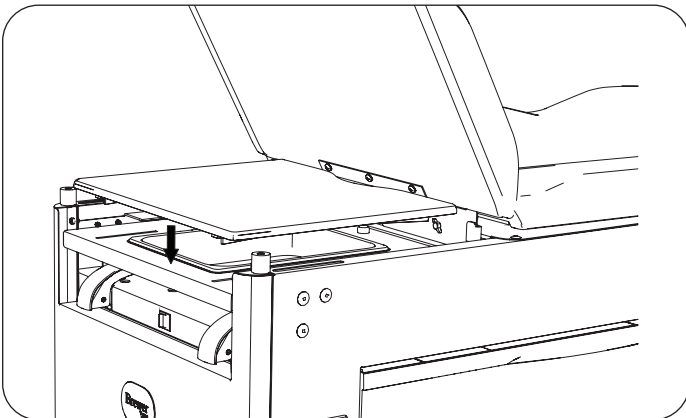
5. Lift straight up and remove adult upholstery and leg extension pad.



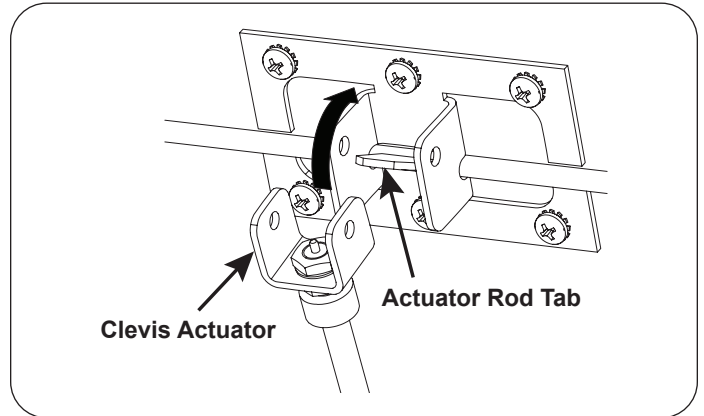
6. Place adult upholstery replacement on table so the loose hinge blade slides into the table's attachment system. Fasten two end thumb screws and tighten all three, using new thumb screws if needed.



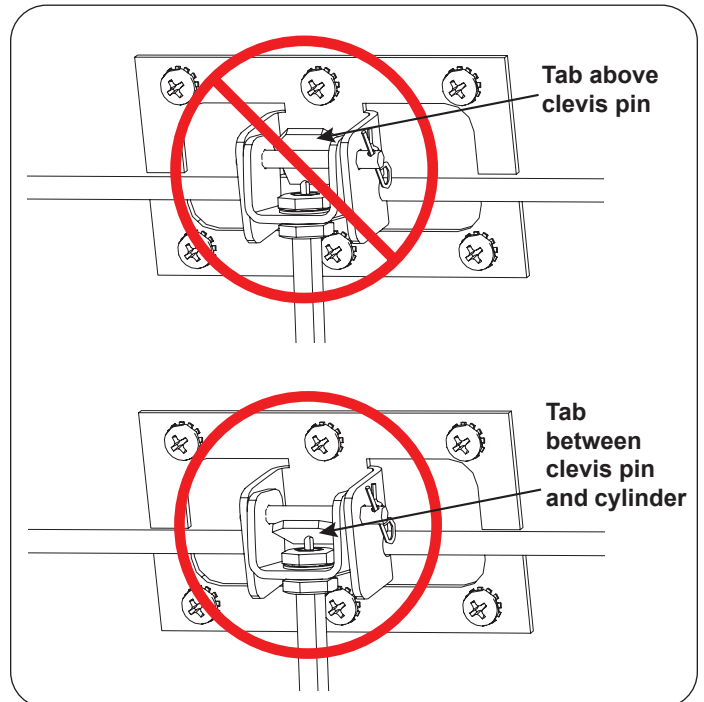
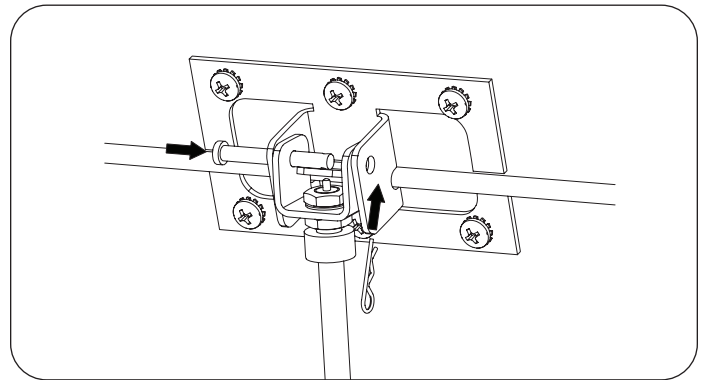
7. Install new leg extension pad, making sure curved edge faces the rear of the table.



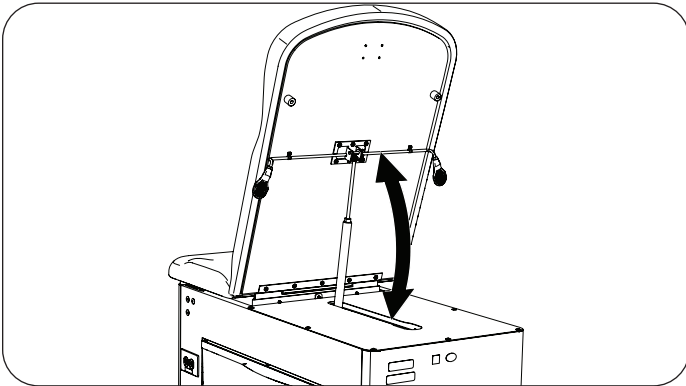
8. Raise the cylinder up into the seat bracket located on the back surface of the backrest.



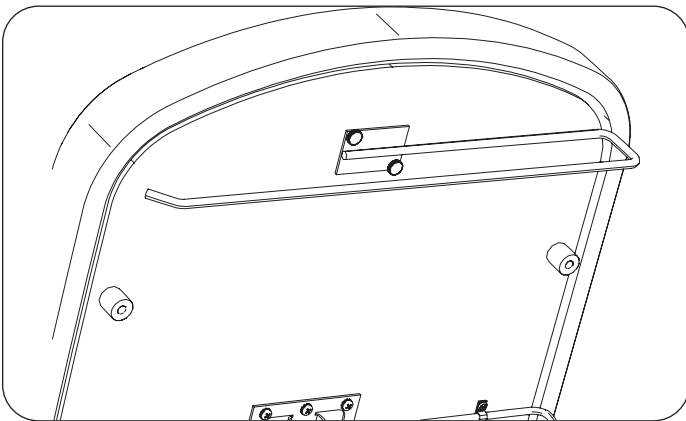
9. Insert the clevis pin through the actuator clevis and seat bracket making sure the tab on the actuator rod is between the clevis pin and top of the cylinder. Insert cotter pin into clevis pin.



10. Ensure the gas cylinder works correctly by raising and lowering the upholstered backrest several times.

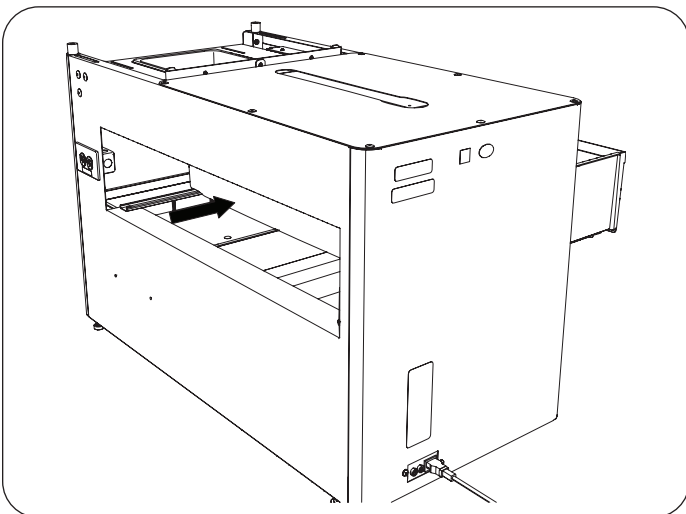


11. If you have a paper roll holder, attach it in desired orientation with two round thumb screws. Use new round thumb screws if needed.

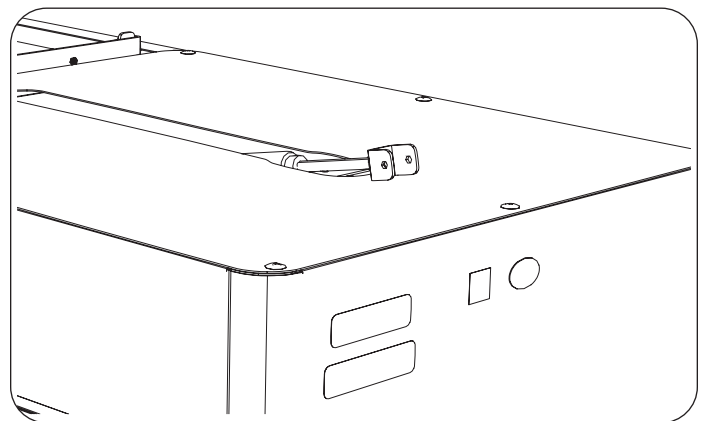
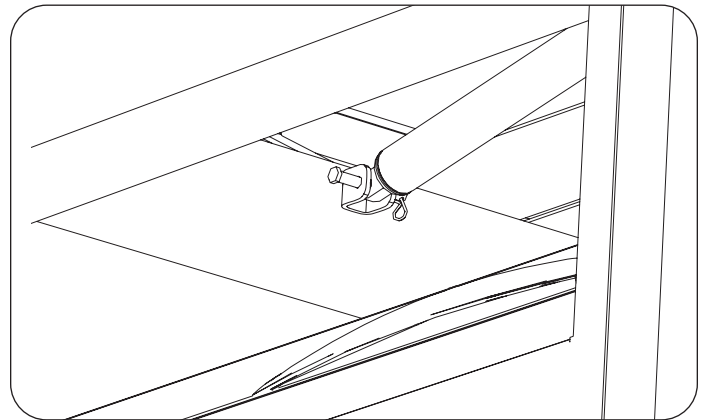


Attaching Adult Upholstery to Base Table

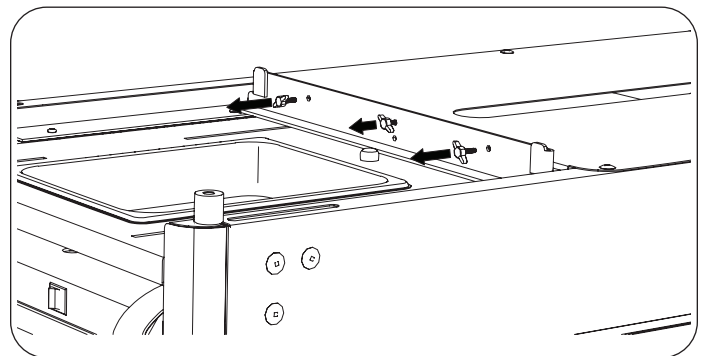
1. Push rear drawer through to one side.



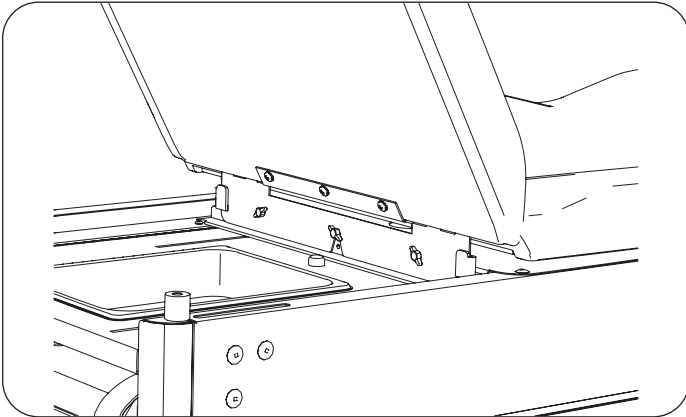
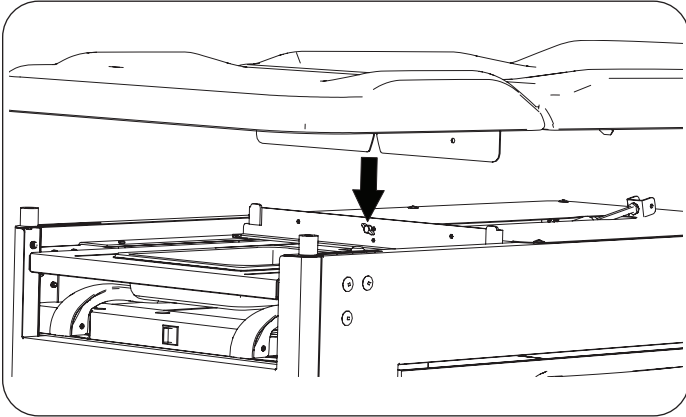
2. Reach through drawer opening and attach lower gas spring with clevis pin and secure with cotter pin. Rest the upper end of gas spring on top panel.



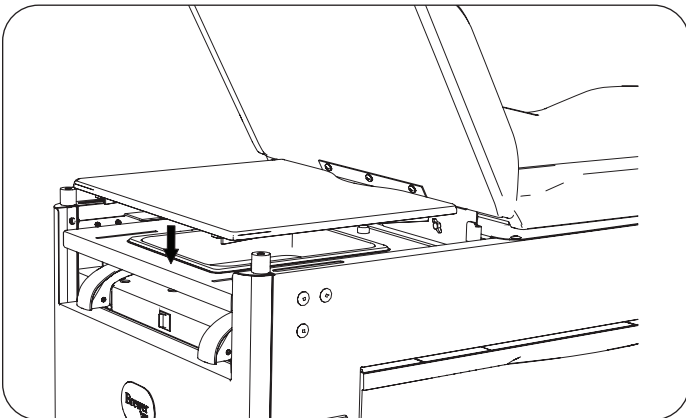
3. Remove end two thumb screws, then loosen, but do not remove center thumb screw.



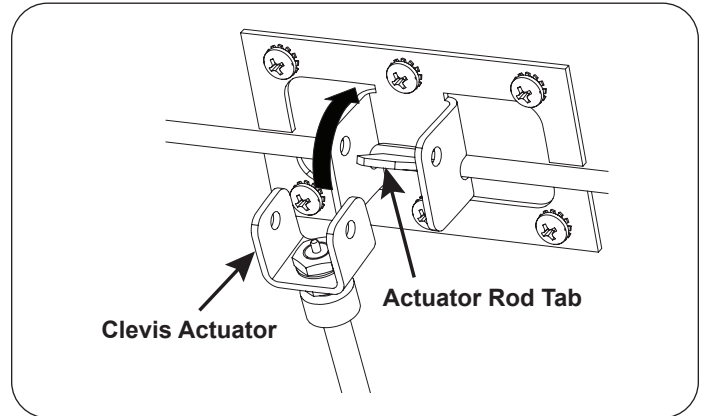
4. Place adult upholstery on table so the loose hinge blade slides into the table's attachment system. Fasten two end thumb screws and tighten all three, using new thumb screws if needed.



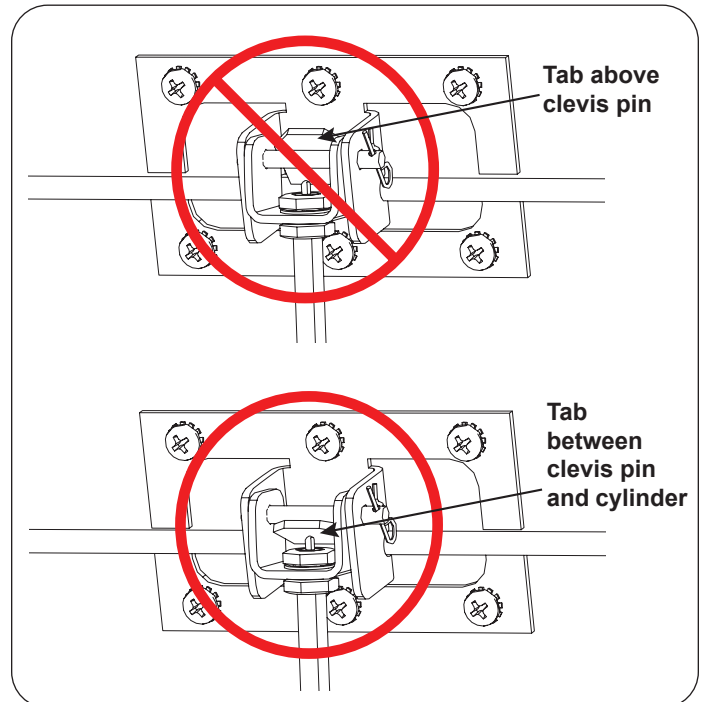
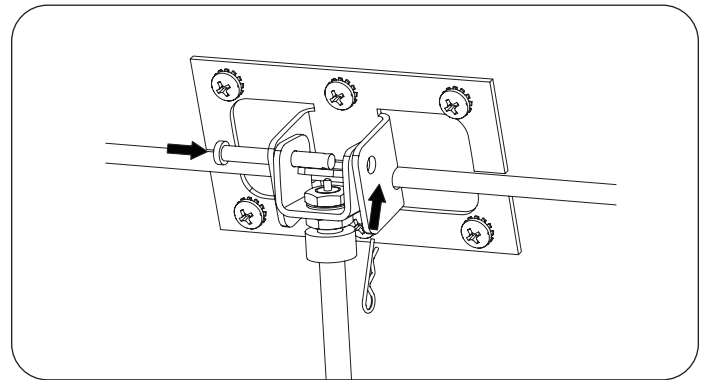
5. Install new leg extension pad, making sure curved edge faces the rear of the table.



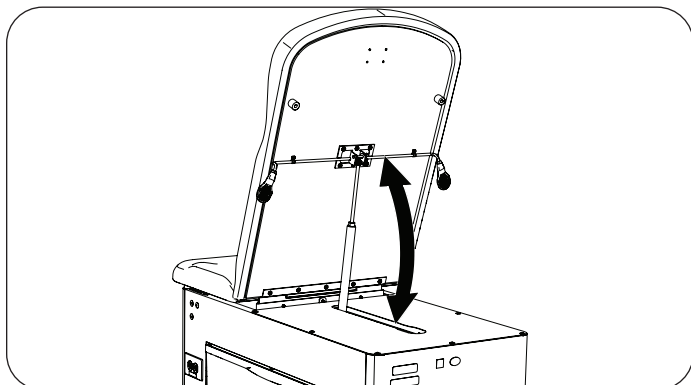
6. Raise the cylinder up into the seat bracket located on the back surface of the backrest.



7. Insert the clevis pin through the actuator clevis and seat bracket making sure the tab on the actuator rod is between the clevis pin and top of the cylinder. Insert cotter pin into clevis pin.



8. Ensure the gas cylinder works correctly by raising and lowering the upholstered backrest several times.



9. If you have a paper roll holder, attach it in desired orientation with two round thumb screws.

