

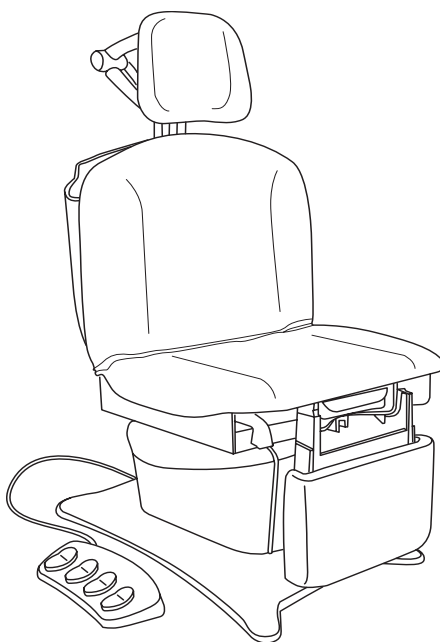
The Brewer Company

ASSIST

Powered Medical Examination Table

Model 7000

Installation & Operation Manual



<i>Important Information</i>	2	<i>Installation</i>	5
<i>Safety Information</i>	3	<i>Operation</i>	8
<i>Component Identification</i>	3	<i>Table Adjustments</i>	9
<i>Specifications</i>	4	<i>Maintenance</i>	15
<i>Electrical Requirements</i>	4	<i>Limited Warranty</i>	16



The Brewer Company
 13901 Main Street
 Menomonee Falls, WI 53051
 P 1.888.Brewer.1
 F 262.251.1786
www.brewercompany.com

IMPORTANT INFORMATION

General

The ASSIST Powered Medical Examination Table Model 7000 is designed to provide positioning and support of patients during general examinations conducted by qualified medical professionals. Read and understand all operating instructions, safety information, and maintenance requirements contained in this manual prior to operating the table. Become familiar with all of the table functions before using it with a patient.

The power examination table is primarily used in examination rooms for general examinations and minor procedures. The wide variety of positions provided by four powered motions, adjustable legrest, adjustable headrest, stirrups and treatment pan, create a safe and convenient patient positioning table for most examinations and procedures performed in the doctor's office.

The table is easily adjusted to a wide variety of positions using the convenient foot control provided with the table. An optional hand pendant may be purchased which can be used in conjunction with the foot control. The table height can be adjusted from 19" to 40". The table seating surface can be moved from the normal horizontal position to an angle of 30°. The backrest can be adjusted from a flat lying down position, to an 85° angle for seating. The legrest can be adjusted from a vertical position for seating, to a horizontal position for laying.

In addition to the electronically controlled positions noted above, several manual adjustments are available:

1. The legrest can be manually adjusted from a sitting to a kneeling position.
2. With the table in the horizontal position, the legrest can be extended an additional 5" of travel for tall patients.
3. Stirrups may be manually extended and positioned infinitely within the lateral range of travel.
4. A removable treatment pan is built-in underneath the front of the seat for easy access and may be pulled out for use during examinations.
5. The headrest is multi-adjustable using three clamp action locking levers.
6. The backrest incorporates a self-storing paper roll.

The table is designed to accommodate a maximum patient weight of 450 lbs.

Service

If you require assistance with the installation or operation of your Brewer Model 7000 table, call the Brewer Customer Service Department at **1-800-558-8777**. Our trained staff will attempt to assist you in correcting the problem directly over the phone. If service is required, a factory authorized technician will be sent to your location.

Please fill in the following information for use when calling the Brewer Company or your distributor with questions regarding your unit. See Figure 1 for model and serial number location.

Date of Purchase _____

Serial Number _____

Model Number _____

Authorized Dealer Name _____

Dealer Phone Number _____

Dealer Address _____

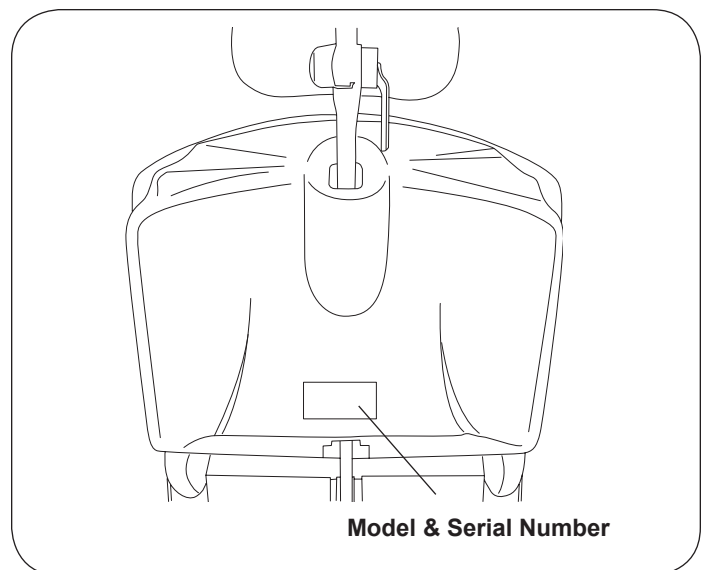



Figure 1. Model and Serial Number Location

SAFETY INFORMATION

Safety Information


The primary concern of The Brewer Company is that the equipment is operated and maintained with the safety of the patient and healthcare staff in mind. To ensure safe and reliable operation:

- Read and understand all instructions in this manual before attempting to install or operate the unit.
- Ensure that appropriate personnel are informed on the manual contents. This is the responsibility of the purchaser.
- Ensure that this manual is located near the table, or if possible permanently affixed to the table.

Failure to follow instructions with this symbol  could result in serious personal injury and/or damage to the unit.

 **DANGER** indicates an imminently hazardous situation which, if not avoided, will result in death or serious injury.

 **WARNING** indicates a potentially hazardous situation which, if not avoided, could result in death or serious injury.

 **CAUTION** indicates an imminently or potential hazardous situation which, if not avoided, may result in serious injury and/or equipment damage.

COMPONENT IDENTIFICATION

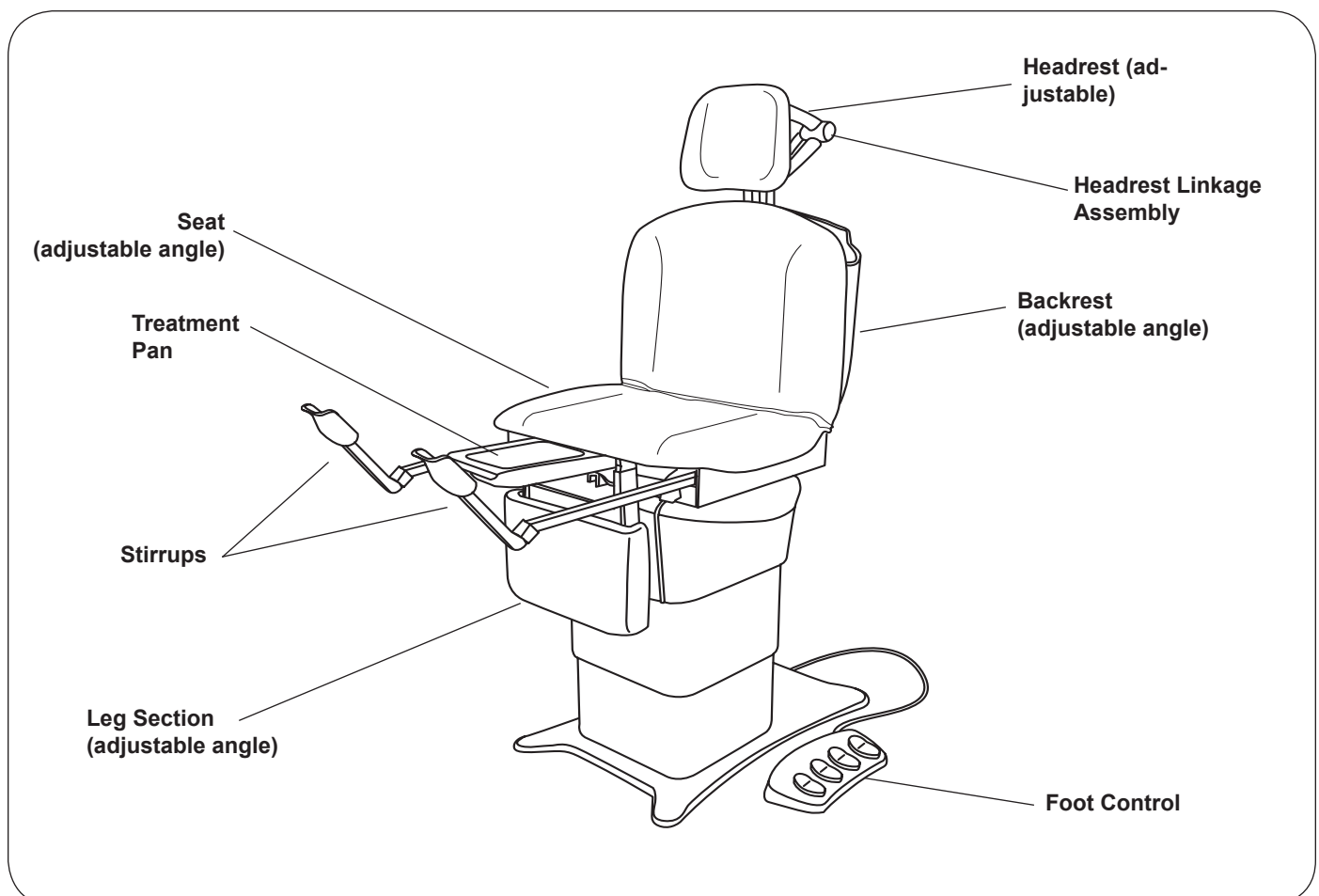


Figure 2. Component Overview

SPECIFICATIONS

Weight of Table.....550 lbs.
 Load Rating (maximum):
 Seat/Back450 lbs.
 Legrest (Flat & Kneeling).....450 lbs.
 Headrest.....100 lbs.
 Back Section Range0° (horizontal) to +85° ± 5°
 Table Top Height Range 19 ± 0.5 in. to 40 ± 1.0 in.
 Leg Section Range0° (horizontal) to 90° (vertical)
 Table Top
 Tilt Range 0° (horizontal) to +30° ± 5° (foot up)
 Dimensions:
 Upholstered Headrest..... 13 in. wide x 11 in. high
 Upholstered Top28.0 in. wide x 44.5 in. long
 Upholstered
 Leg Rest 16.5 in. wide x 11.25 in. high
 Overall Length69 in. long
 With Headrest/
 Footrest Extended90 in. long
 Electrical Requirements
115 VAC nominal, 60 HZ, 5.8 amps maximum
 Fuse rating.....250V /2.5AT

Duty Cycle (10%)
 2 minutes on / 18 minutes off (motor run time)
 Power Cord.....
 Extends 70 in. (Minimum) from table. 18 AWG / 3 conductor, SJT grey jacketed junior hard service with hospital plug
 Type of protection against electrical shock
 Class 2 Double Insulated
 Type of protection against electrical shock B applied parts
 Type of protection against ingress of water..... Ordinary
 Can accept paper rolls of:
 18 in. x 3.0 in.
 21 in. x 3.0 in.
 Certifications*UL6060-1; UL2601-1; IEC60601-1; CAN-CSA C22.2 No. 601.1
 Operating Conditions:
 Temperature Range 65° to 85°F
 Relative Humidity 10% to 90%

* UL classified in the United States and Canada per the following standards.

ELECTRICAL REQUIREMENTS

⚠ WARNING

When performing a cauterization or similar treatment, the patient must be insulated from the metal portions of the table by nonconductive material. Failure to do so may result in electrical shock or burns to the patient.

⚠ WARNING

Use 115 VAC, 60 Hz alternating current only. Failure to do so may result in electrical shock to personnel and will result in damage to the table.

⚠ WARNING

Do not use this table in an explosive or oxygen-enriched atmosphere. Failure to do so may result in serious personnel injury or death.

⚠ CAUTION

Do not use any power supply other than that listed on the rating label (Figure 1). Failure to do so may result in serious injury and/or equipment damage.

⚠ CAUTION

This product has been evaluated with respect to electrical shock, fire, and mechanical hazards only in accordance with UL60601-1; IEC60601-1; UL2601-1; CAN/CSA C22.2 No. 601.1

INSTALLATION

Overview

Perform the following sequence in order when setting up the table:

- Uncrating
- Leveling the Base
- Installing the Foot Control
- Installing the Upholstery

Uncrating

NOTE: Inspect all boxes and contents for damage. Report any damage to the carrier immediately.

CAUTION

To avoid damaging the table's upholstery or painted surfaces, **DO NOT** use a knife or other sharp object to open the packaging. Also, to avoid damaging the table lift only at points indicated in Figure 3. Do not lift at other points as indicated in Figures 3 and 4.

1. Using a 1/2" open-end wrench, or socket, unbolt the table from the wooden shipping skid by removing the four bolts located underneath the table's base; two on each side.
2. Remove the table from the shipping skid by sliding it off the front of the skid. Be sure to lift at the correct points as indicated in Figure 3. Position the table in the desired room location.

WARNING

The table weighs approximately 550 lbs. Two or more people should assist in removing the table from the shipping skid. Also, use proper lifting techniques when lifting. Failure to do so could result in serious injury.

3. Remove packing tape from stirrups (Figure 4). Pull out treatment pan slide and remove packing tape from the treatment pan assembly components. Return treatment pan slide to its stowed position.
4. The electrical rating for this unit is 115 VAC, 60 Hz, 5.8 amps. The three-pronged grounding plug on the table power cord must be plugged into a matching three-pronged, grounded, non-isolated, correctly polarized 115 VAC receptacle.

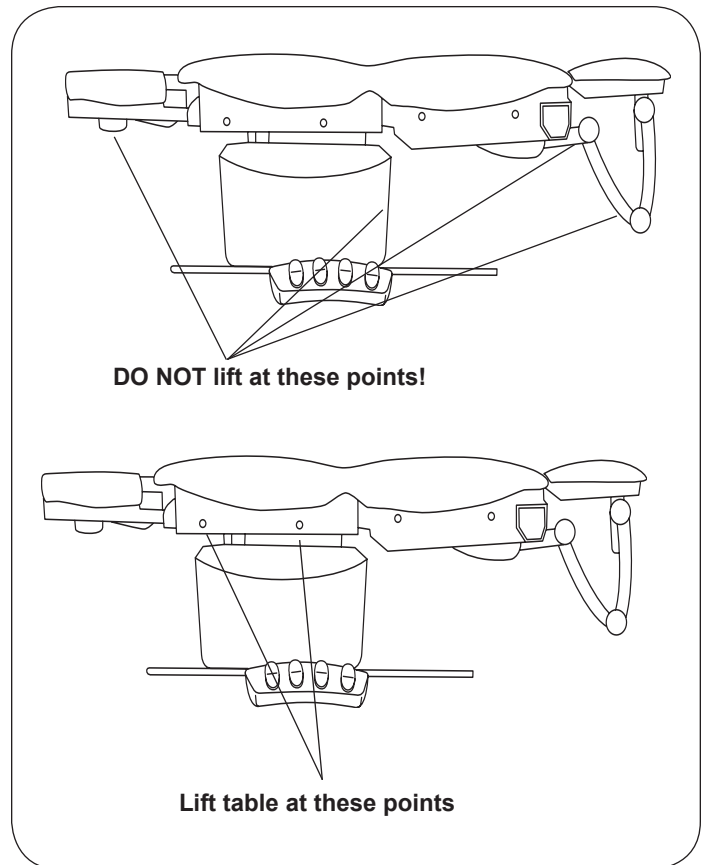


Figure 3. Table Lift Points

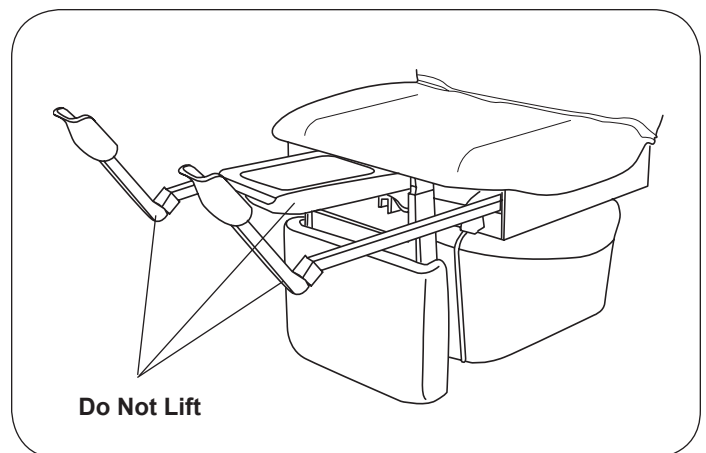


Figure 4. Stirrups and Treatment Pan

INSTALLATION (CONTINUED)

Leveling the Table

A leveling screw pad (Figure 5) is located in six places under the table's base. Adjust the six leveling pads to achieve a solid, level installation.

Installing the Foot Control

1. Remove the foot control from the shipping box.
2. Insert the end of the cord into the foot control receptacle on the table (Figure 6). Make sure the tab in the cord receptacle is pointing upward and receptacle is fully seated. Test the foot control for operation.

Installing the Upholstery

The upholstery set includes: Headrest shroud and cushion, Seat/Back cushion, and Legrest cushion.

HEADREST SHROUD AND CUSHION

1. Raise the back so the top of the headrest is at a comfortable work height.
2. Align the holes in the headrest cushion, shroud, and headrest mounting link. Make sure cushion is properly centered on the shroud. Fasten with the four screws provided.

SEAT/BACK CUSHION

1. Refer to the *Operation* section in this manual and position the table so the seat, back and legrest are flat (in the horizontal position). (Figure 7)
2. Place the seat/back cushion on the table with the curved end toward the headrest and the straight end facing the legrest (Figure 8). Adjust the cushion so that the straight end overhangs the seat frame by approximately 4".
3. Push down lightly in the middle of the cushion and shift it toward the headrest until the 4 posts on the bottom side of the cushion drop into the 4 slots in the seat frame. Pull up slightly on the middle of the cushion to make sure the posts have engaged with the slots.
4. Align the two threaded holes on the headrest end of the cushion with the two holes in the frame. Attach with two screws provided.
5. Align the two threaded holes on the legrest end of the cushion with the two holes in the frame. Attach with two screws provided.

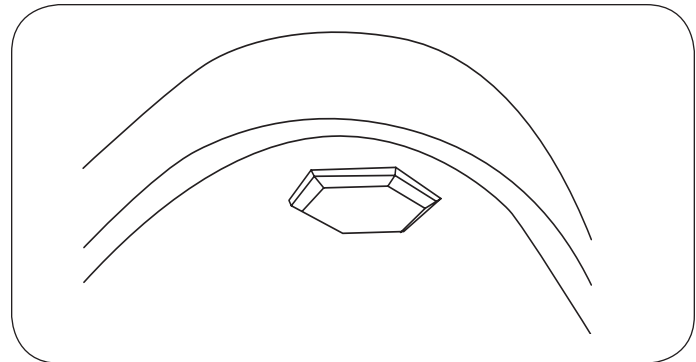


Figure 5. Leveling Screw Pad (located under table)

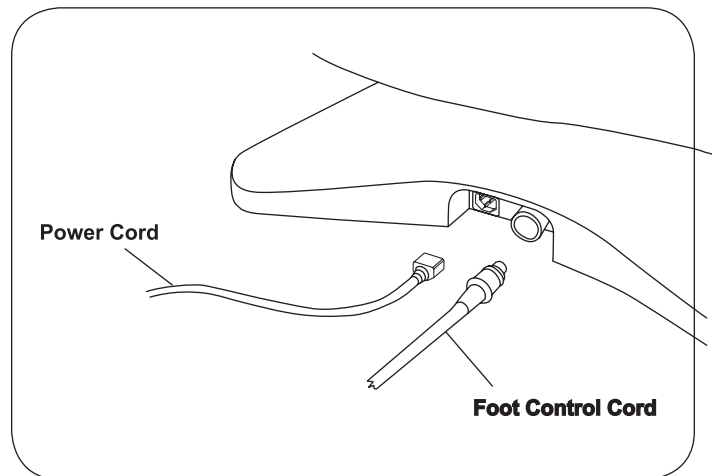


Figure 6. Power Cord & Foot Control Cord Receptacles

LEGREST CUSHION

1. Position legrest in the horizontal position. Raise the table to it's fullest height.
2. Align the holes in the legrest cushion and legrest plate, then fasten with the four screws provided.

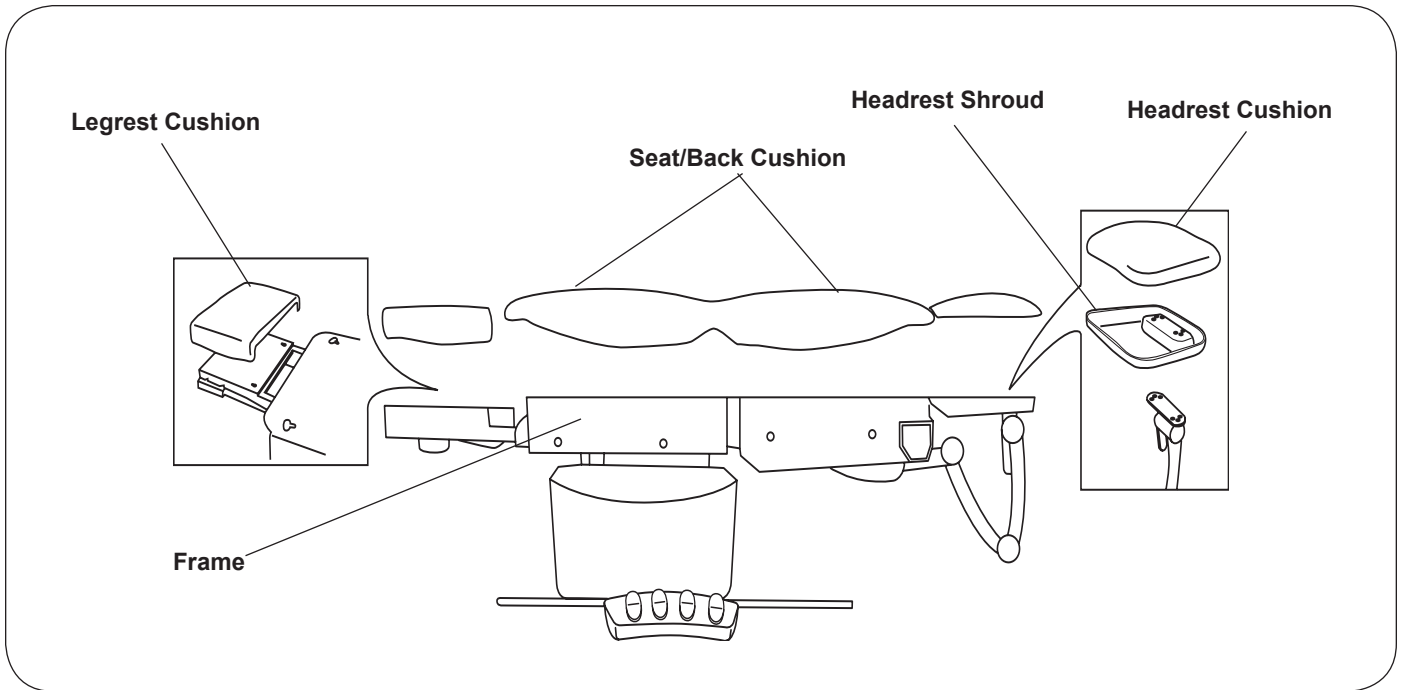


Figure 7. Installing the Upholstery

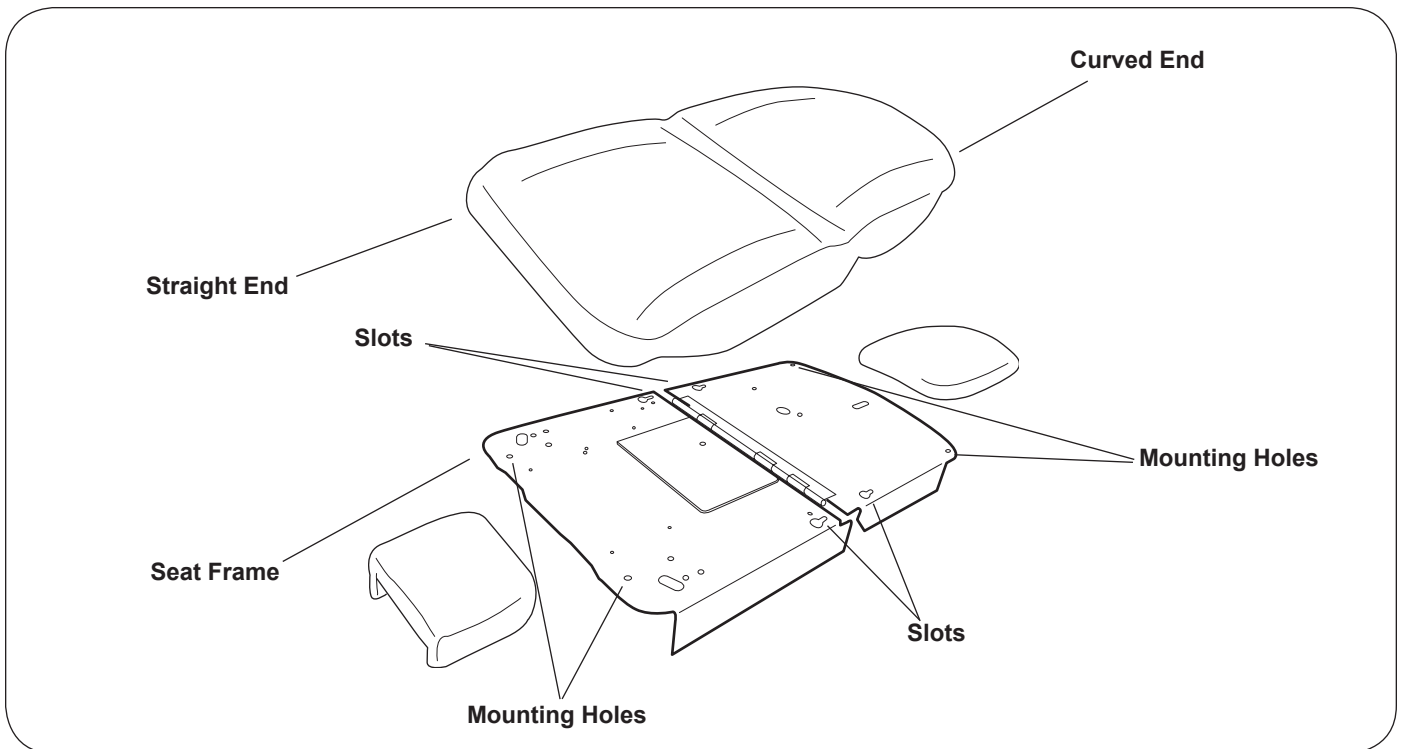


Figure 8.

OPERATION

General

⚠ DANGER

Do not use this table in an explosive or oxygen-rich atmosphere. To do so will result in an explosion or fire.

⚠ WARNING

If the table malfunctions, immediately remove your hand or foot from the controls, unplug the power cord from the electrical receptacle, and assist the patient from the table. If table continues to malfunction, call for service. Do not attempt to repair table yourself.

⚠ WARNING

Before initiating power, keep personnel and equipment clear of the table movement to avoid personal injury or equipment damage.

NOTE: For optimum table performance, allow the table to reach room temperature before operating.

NOTE: The table is not designed for continuous operation. The control system includes a thermal overload safety switch to protect from overheating. If the table is operated continuously causing the control to exceed its allowable operating temperature, the thermal overload safety switch will shut off. If normal operation ceases, do not attempt to operate the table. Allow the table to cool for 10-15 minutes before attempting to use again. The thermal overload switch will automatically reset when it has reached a safe operating temperature.

NOTE: The control system is protected by a fuse to prevent excessive current draw which could damage the system. If operation does not resume after a cooling period of one hour, contact your dealer or an authorized service center for repair.

Foot Control (Figure 9)

Depress the pedal at the desired location to activate the function shown.

NOTE: The table incorporates a safety switch which prevents the leg rest from moving if the treatment pan is not fully stored (inward).

⚠ CAUTION

The foot control is moisture resistant and runs on low voltage, eliminating shock hazards. However, to avoid temporary or permanent damage to the foot control, do not immerse in water or liquids.

⚠ CAUTION

Keep foreign objects away from foot control. To avoid accidental operation, be sure the foot control is NOT positioned below the legrest or headrest linkage. Failure to do so could result in unwanted motion and possible damage to the table.

⚠ WARNING

Keep personnel and equipment clear of table before initiating movement to avoid personal injury or damage to the equipment.

NOTE: Each control function will automatically stop moving when either the UP or DOWN travel limit is reached. If the button is pressed with travel at its limit, the actuator will not run. Sensors prevent the actuator motor from operating when travel limit has been reached, preventing wear of the actuator.

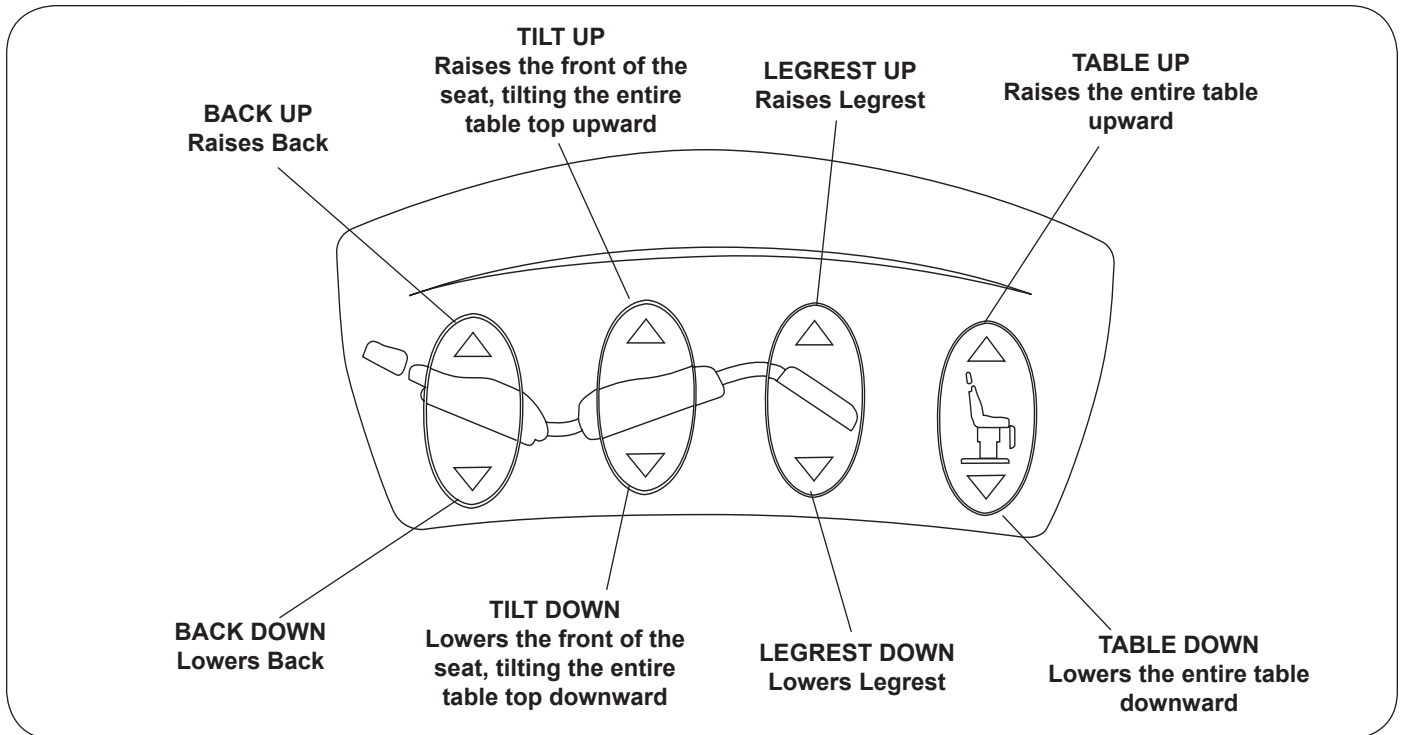


Figure 9. Foot Controls

TABLE ADJUSTMENTS

Table Height (Figure 10)

The table top can be adjusted to any height between 19" to 40".

1. To raise the table, depress and hold the Table/Up pedal until the desired height is achieved, then release the pedal.
2. To lower the table, depress and hold the Table/Down pedal until the desired height is achieved, then release the pedal.

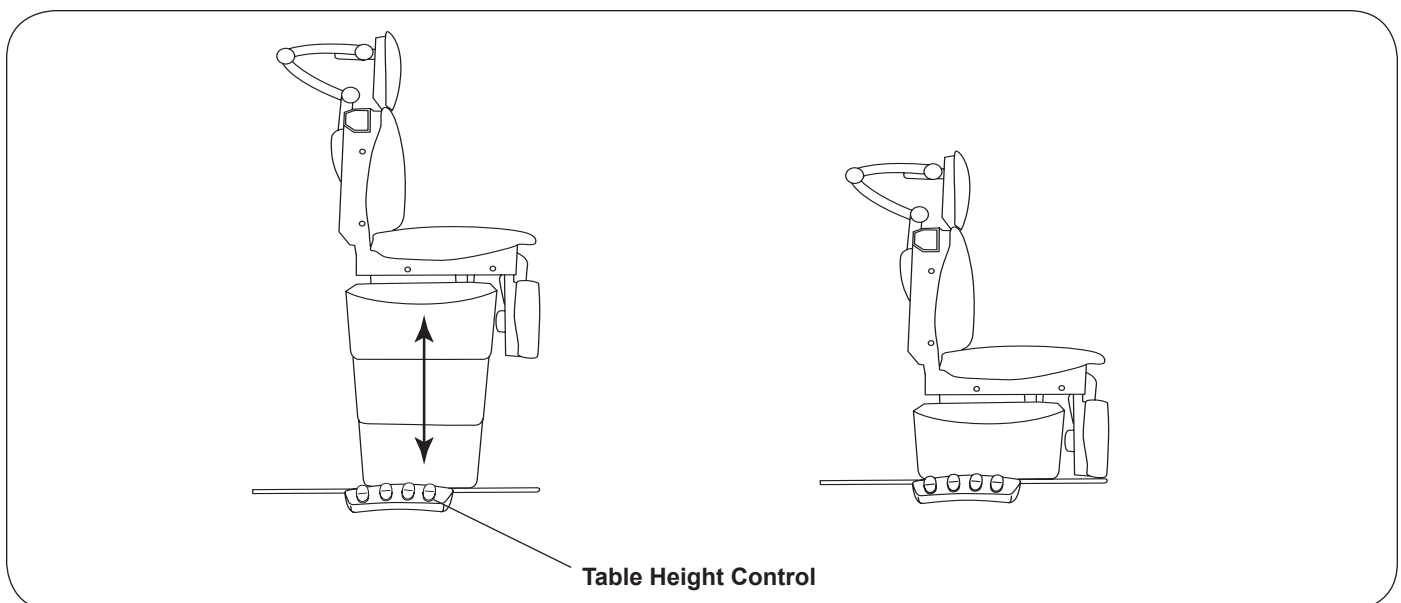


Figure 10. Table Height Positioning

TABLE ADJUSTMENTS (CONTINUED)

Back Positions (Figure 11)

The back can be adjusted to any angle between horizontal and 85°.

1. To adjust the back from a chair (upright) position to a horizontal position, depress and hold the Back/Down pedal until the desired angle is achieved, then release the pedal.
2. To adjust the backrest from a horizontal position to a chair (upright) position, depress and hold the Back/Up pedal until the desired angle is achieved, then release the pedal.

NOTE: The back is controlled by an actuator that raises the back when activated. When lowered, the actuator retracts and gravity causes the back to lower.

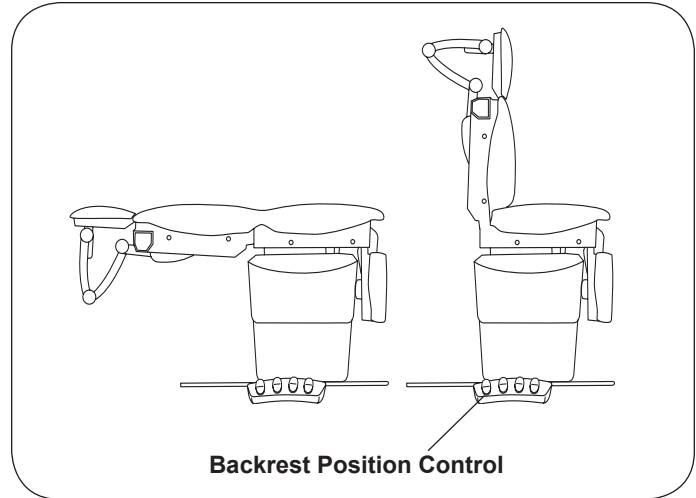


Figure 11. Adjusting Backrest

Tilt Function (Figure 12)

The table top can be tilted to any angle between horizontal and +30° (foot end of table raised).

1. To tilt the foot end of the table upward, depress and hold the Tilt/Up pedal until the desired angle is achieved, then release the pedal.
2. To tilt the foot end of the table downward, depress and hold the Tilt/Down pedal until the desired angle is achieved, then release the pedal .

NOTE: The headrest linkage may contact the floor or other object when the table is tilted (Figure 13). If this occurs, raise the table, reduce the amount of tilt, or raise the back.

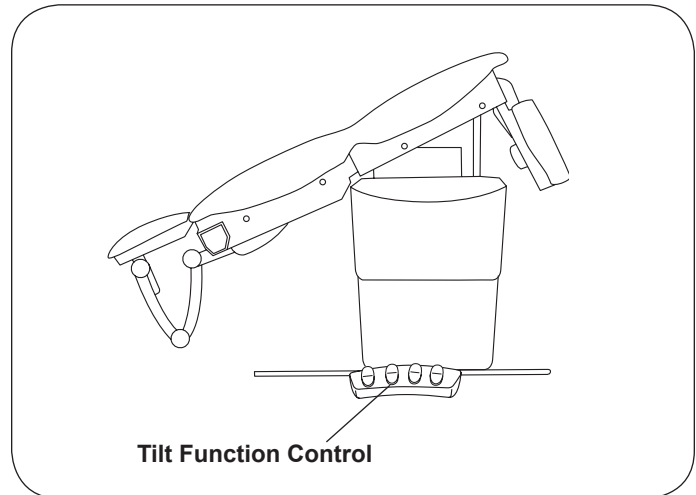


Figure 12. Tilt Function

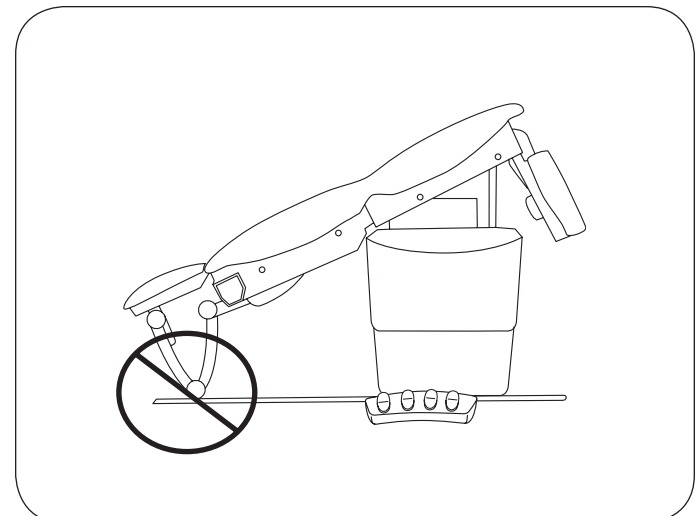


Figure 13. Do Not Allow Headrest to Contact Objects

TABLE ADJUSTMENTS (CONTINUED)

Legrest Positions (Figure 14)

The legrest can be adjusted from a horizontal position to a vertical position.

1. To adjust the legrest from a vertical position to a horizontal position, depress and hold the Legrest/Up pedal until the desired angle is achieved, then release the pedal.
2. To adjust the legrest from a horizontal position to a vertical position, depress and hold the Legrest/Down pedal until the desired angle is achieved, then release the pedal.

NOTE: A safety switch inhibits operation of the legrest function when the treatment pan tray is extended preventing the legrest from contacting the treatment pan tray. If the legrest is inoperable, check to ensure that the treatment pan tray is in its fully stowed position (inward). A light clicking sound will be heard just before the treatment pan reaches its fully stowed position.

NOTE: The legrest mechanism is controlled by an actuator that raises the legrest when activated. When lowered, the actuator retracts and gravity causes the legrest to lower.

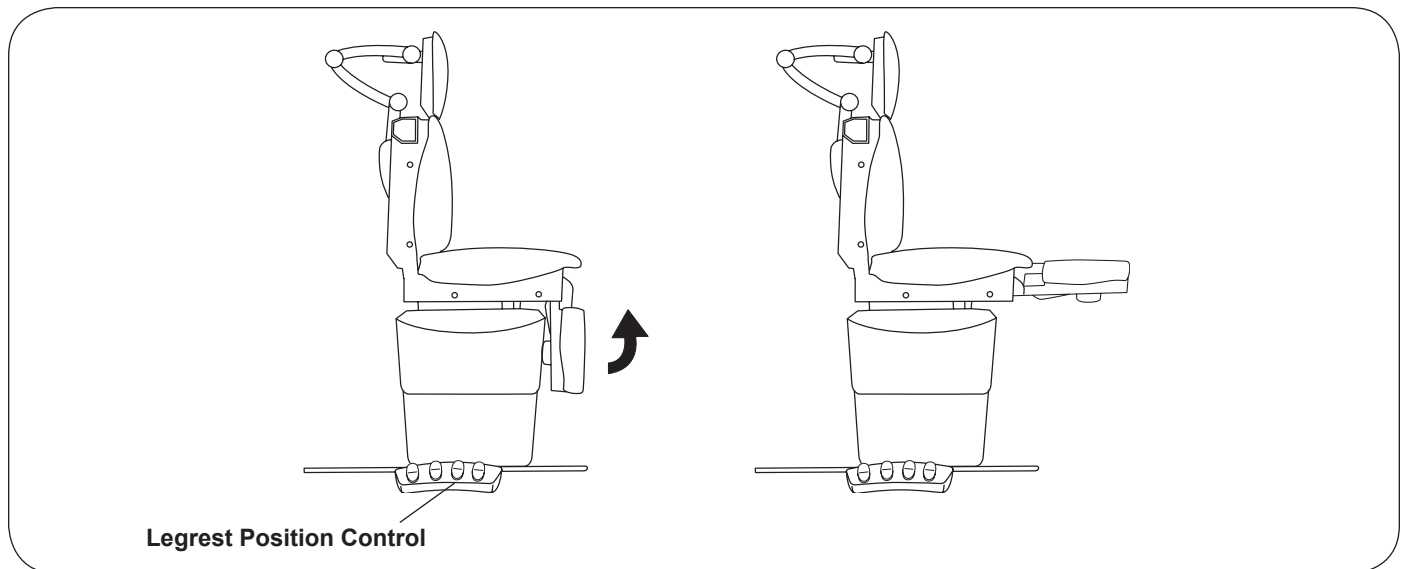


Figure 14. Legrest Positions

Legrest Extension (Figure 15)

In the horizontal position, the legrest can be extended 5" to increase the overall length of the table.

Lift up on the legrest and pull outward to extend the legrest. To return the legrest to the shortest position, lift up on the legrest and push fully inward.

⚠ CAUTION
To prevent damage to the unit, the legrest must be returned to the shortest position prior to lowering the legrest to the vertical position.

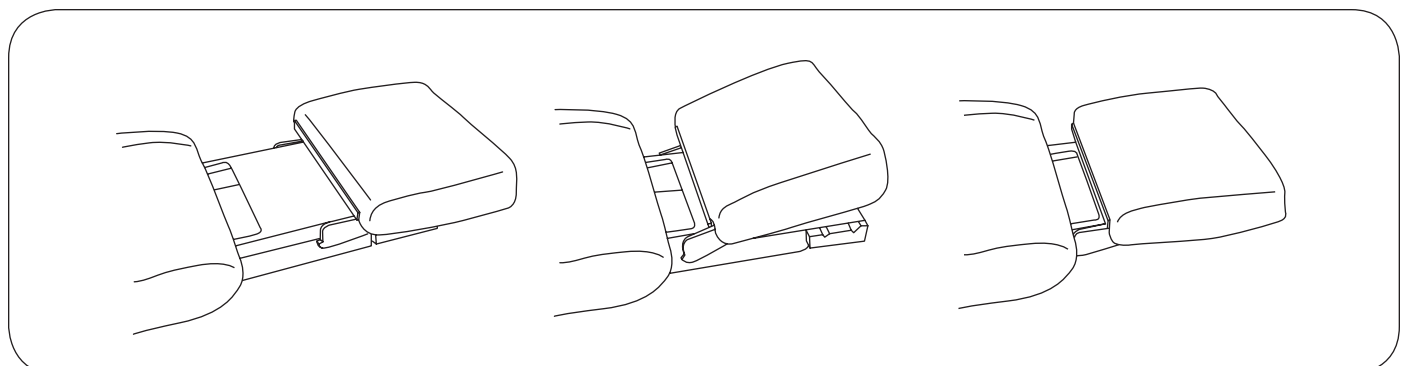


Figure 15. Legrest Extension

TABLE ADJUSTMENTS (CONTINUED)

Legrest Kneeling Position (Figure 16)

The legrest can be rotated to a kneeling position.

NOTE: Make sure the legrest cushion is full engaged with the stops on both sides. When properly engaged, the legrest cushion is parallel to the ground.

1. Grasp the legrest cushion on both sides.
2. Rotate the cushion upward until rotation stops.
3. Slide the legrest downward and rotate the cushion downward to engage the stop. Two height positions are provided.

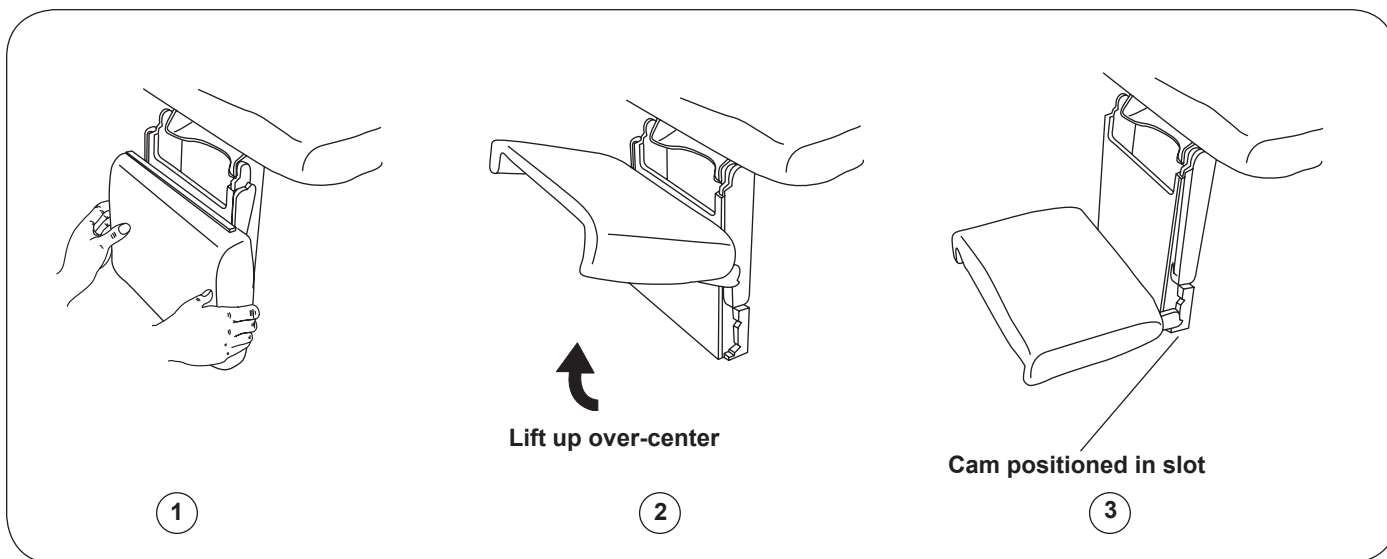


Figure 16. Legrest Kneeling Position

Paper Roll (Figure 17)

To change a paper roll, insert the paper through the slot and set the paper roll in the holder.

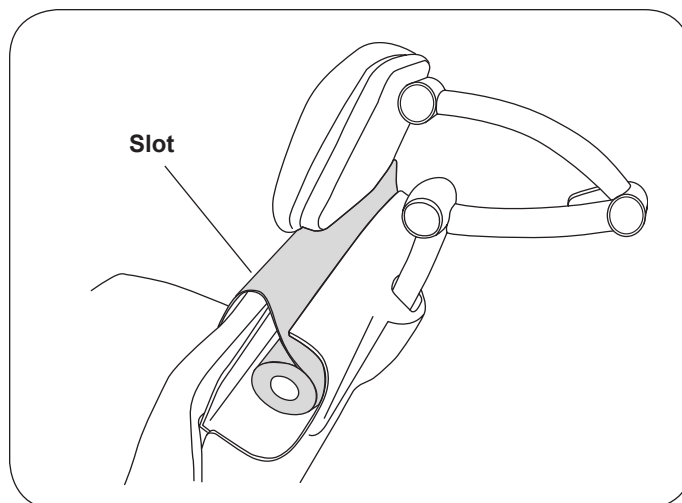


Figure 17. Paper Roll

TABLE ADJUSTMENTS (CONTINUED)

Stirrups

OPERATING THE STIRRUPS (FIGURE 18)

1. To operate the stirrups, grasp end of stirrup and pull straight out of the table. Lift up slightly while sliding the stirrup out.

NOTE: Do not apply any downward pressure when pulling stirrup from table or it may be difficult to move. This is normal and is part of the stirrup friction locking mechanism

2. Unfold stirrup upward to the fully open position.
3. Adjust the stirrup to the desired length by sliding it in or out.

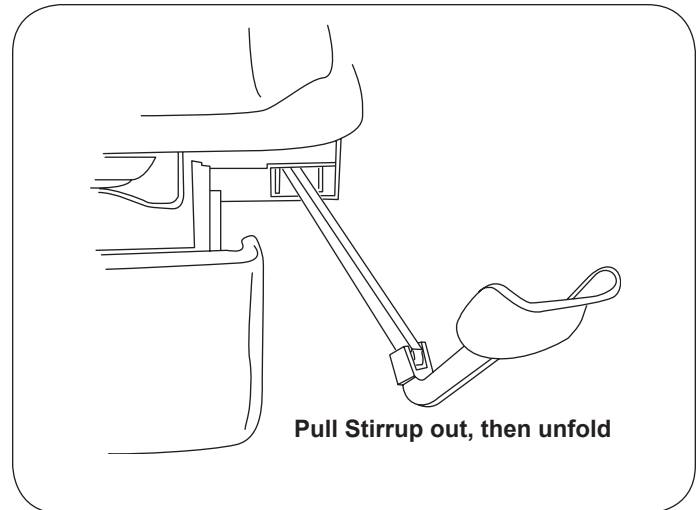


Figure 18. Operating the Stirrups

STIRRUP LATERAL ADJUSTMENT (FIGURE 19)

1. Lift end of stirrup and then rotate outward to desired position.
2. When the desired position is achieved, lower the stirrup to engage the lateral locking mechanism.
3. Check that lateral locking mechanism is engaged by attempting to rotate stirrup assembly without lifting on the stirrup end.

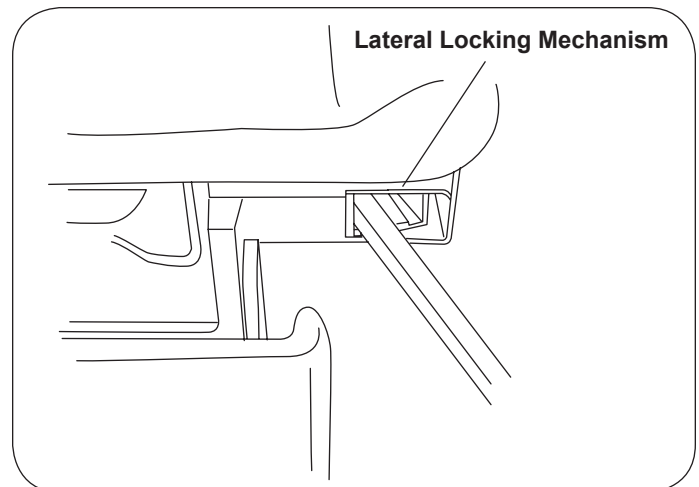


Figure 19. Stirrup Lateral Adjustment

! WARNING

Failure to engage the lateral locking mechanism could allow patient to lose balance resulting in personal injury to patient.

STORING THE STIRRUPS (FIGURE 20)

1. To store the stirrups in the table, grasp end of stirrup and pull straight out to its full extension.
2. Fold stirrup down against bar, then rotate it to the inner most lateral position and slide it back into the stowed position.

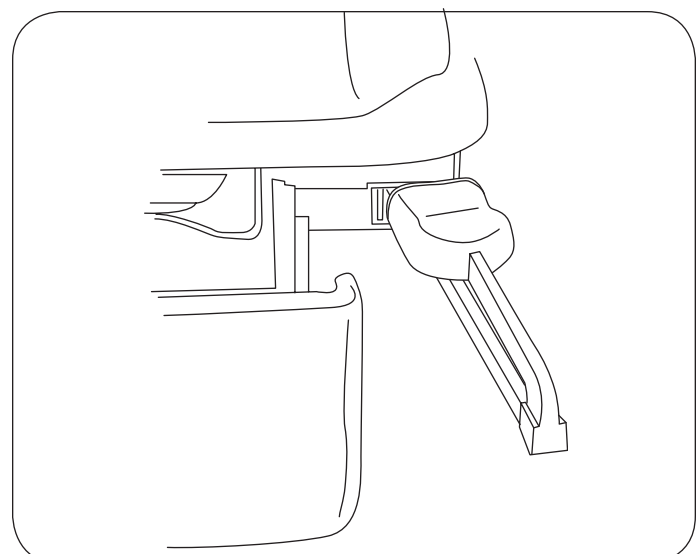


Figure 20. Storing the Stirrups

TABLE ADJUSTMENTS (CONTINUED)

Treatment Pan (Figure 21)

NOTE: A safety switch prevents operation of the foot function when the treatment pan tray is extended. This prevents the legrest from contacting the treatment pan tray. If the legrest is inoperable, check to ensure that the treatment pan tray is in its fully stowed position (inward). A light clicking sound will be heard just before the treatment pan reaches its fully stowed position.

1. To expose the treatment pan for use, grasp the tray handle and pull until tray is fully extended (Figure 21).
2. The pan can be easily removed for cleaning with the tray fully extended. Fully seat pan into tray when clean.
3. Push the tray handle as far in as it will go to fully stow the treatment pan after use. A light clicking sound will be heard just before the pan reaches its fully stowed position.

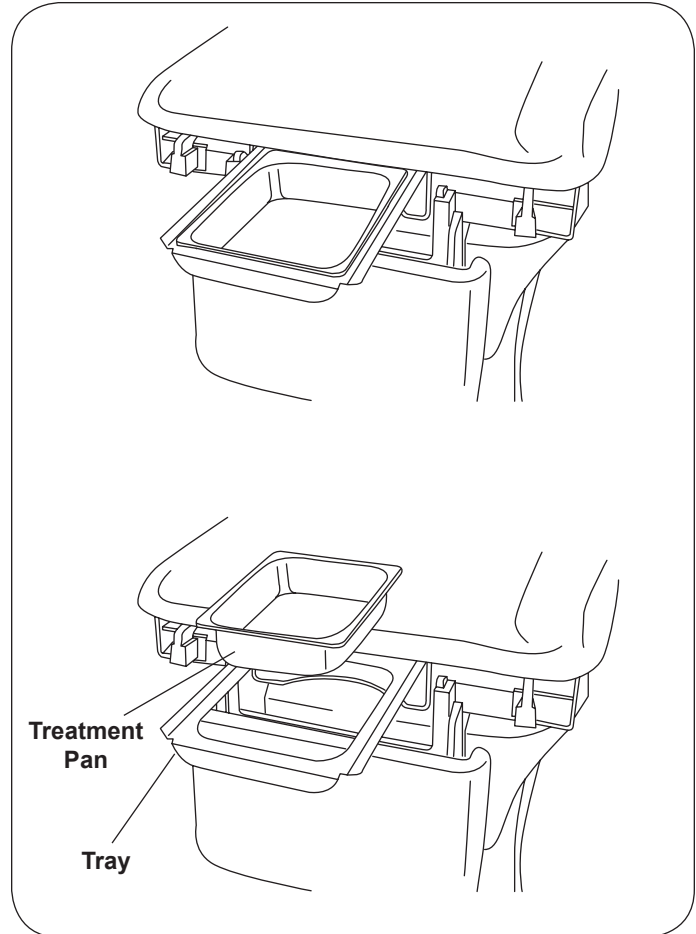


Figure 21. Treatment Pan

Headrest Positions (Figure 22)

⚠ WARNING

Make sure headrest is securely locked into position before use. Failure to have the three handles correctly locked could result in headrest falling during a procedure which could result in serious personal injury.

1. To move the headrest, rotate the three handles to their open position. Move the headrest to its desired location. Rotate the 3 handles to their locked position as shown in Figure 22.
2. Each section of the headrest can be adjusted independently by rotating the handle to the open position, moving the desired section, and then rotating the handle to the closed position.

NOTE: Make sure all three handles are locked. A handle is locked correctly when it is pushed past center and the force of the clamping action pulls the handle into the locked position and holds it there.

⚠ WARNING

If any of the handles fails to lock properly, the headrest assembly could fall during a procedure. This could cause severe injury to a patient. Do not attempt to repair the headrest assembly yourself; call for service.

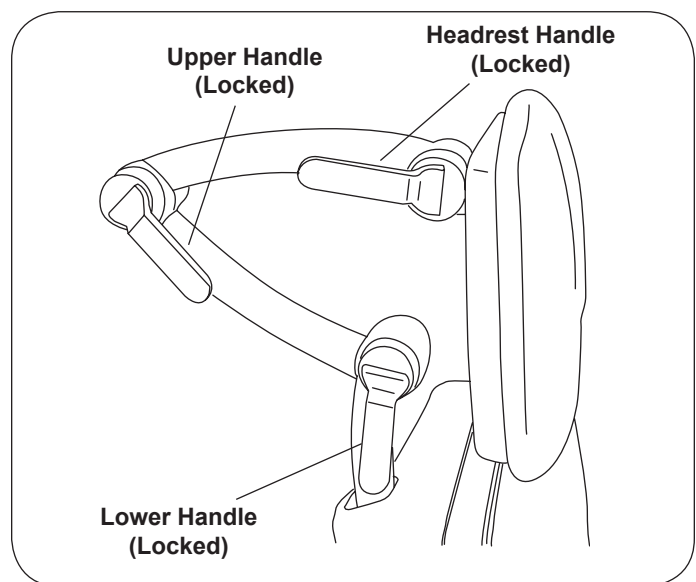


Figure 22. Headrest Handles

MAINTENANCE

Preventative Maintenance

CAUTION

Failure to perform periodic inspections of the table could result in personal injury or equipment damage.

- Periodically inspect the electrical cord to ensure it is free of cuts or damage.
- Inspect the mechanical functions to ensure satisfactory operation.
- Check fasteners to make sure they are present and tightened securely.
- Lubricate moving parts (such as back, tilt, and legrest hinges) with a light machine oil.
- Have your authorized dealer inspect your table every 6 months.

Fuse Replacement

WARNING

Disconnect power by removing plug from the 115V outlet before changing fuses.

1. Remove Seat/Back upholstery shown in Figure 7.
2. Locate fuse cover in round hole in seat back. (Figure 23)
3. Pull out fuse cover with pliers.
4. Replace fuses using spare fuses in fuse cover. Fuse type is 250V/2.5AT.
5. Reassemble.

Table Care

CAUTION

The upholstery material is resistant to most medicinal type stains, but may be damaged by solvents and dyes. Remove any spilled fluids from the upholstery immediately.

Clean the table weekly, wiping the painted metal and plastic surfaces with a clean, soft cloth. If desired, mild cleaners may be used.

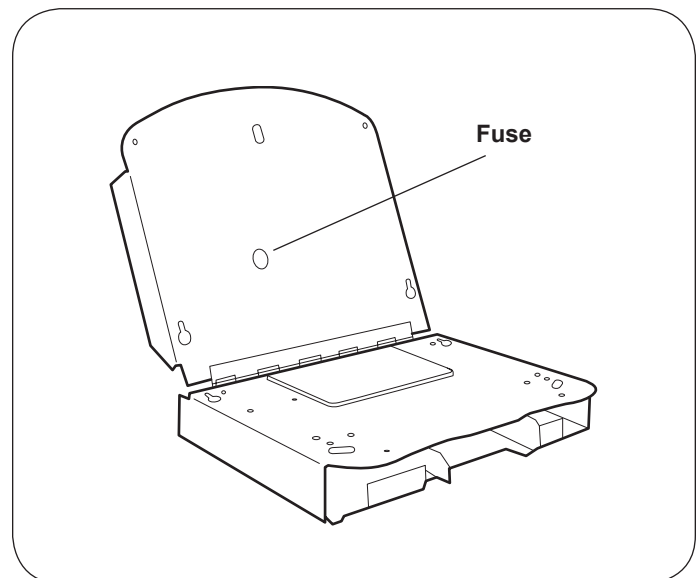


Figure 23. Fuse Location

LIMITED WARRANTY

The Brewer Company GENERAL TERMS AND CONDITIONS

Warranty: The Brewer Company warrants its power tables to be free from defects in parts and workmanship under normal use and service for a period of three (3) years from date of shipment. The Brewer Company will not be responsible for any Product failure due to abuse, misuse, modification or improper use or for any use which exceeds the published capacity of the Product. Products returned by prepaid freight for inspection and found defective will, at the option of The Brewer Company, be repaired or replaced at no charge, but no claim for outside labor or other charges will be allowed. Products must not be returned without proper written authorization from The Brewer Company. Requests for authorization must be in writing and accompanied by the original purchase order, The Brewer Company invoice number and a copy of the invoice for the Product. THIS WARRANTY IS EXCLUSIVE AND IN LIEU OF ALL OTHER WARRANTIES AND REMEDIES WHATSOEVER, INCLUDING BUT NOT LIMITED TO IMPLIED WARRANTIES OF MERCHANTABILITY AND/OR FITNESS FOR A PARTICULAR PURPOSE. NO AGENT, EMPLOYEE, OR REPRESENTATIVE OF THE BREWER COMPANY HAS ANY AUTHORITY TO MAKE ANY AFFIRMATION, REPRESENTATION, OR WARRANTY NOT SET FORTH IN THESE TERMS AND CONDITIONS CONCERNING ANY PRODUCTS OF THE BREWER COMPANY. THE BREWER COMPANY SHALL HAVE NO LIABILITY WHATSOEVER FOR DAMAGES CAUSED BY TRANSPORTATION, ACCIDENTS, FIRE, UNAUTHORIZED ALTERATION, OR NORMAL WEAR OR ABUSE, NOR SHALL THE BREWER COMPANY HAVE ANY LIABILITY WHATSOEVER FOR ANY INCIDENTAL OR CONSEQUENTIAL DAMAGES, including without limitation, lost profits or any such damages arising from (a) the design, manufacture, sale, delivery, installation, repair, operation or use of products of The Brewer Company or any part thereof, (b) any actual or alleged failure or defect in products of The Brewer company or any part thereof, or (c) any actual or alleged breach or non-performance by The Brewer Company of this limited warranty.

Freight Claims: Upon receipt, merchandise should be carefully examined to ascertain that proper amount has been received in good condition. Any claim for shortage or damage must be made with delivering carrier within five (5) days from receipt of goods. We do not assume any responsibility for loss or damage in transit, and compensation for such loss must be obtained from the carrier.