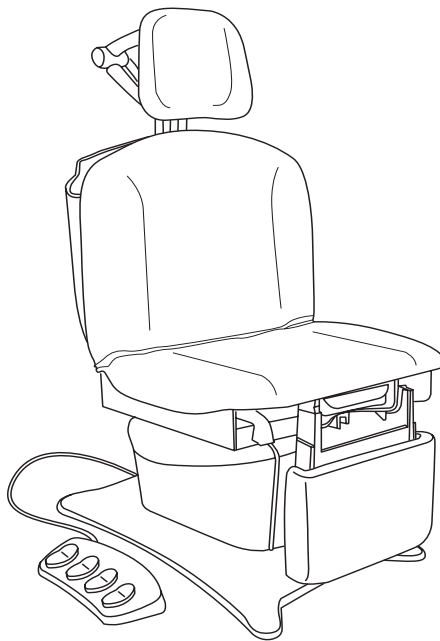


# Brewer Assist PRO

POWER PROCEDURE TABLE

## Installation & Operation Manual



<i>Important Information</i> .....	2	<i>Installation</i> .....	5
<i>Safety Information</i> .....	3	<i>Operation</i> .....	8
<i>Component Identification</i> .....	3	<i>Table Adjustments</i> .....	11
<i>Specifications</i> .....	4	<i>Maintenance</i> .....	19
<i>Electrical Requirements</i> .....	4	<i>Limited Warranty</i> .....	19



The Brewer Company  
13901 Main Street  
Menomonee Falls, WI 53051  
P 1.888.Brewer.1  
F 262.251.1786  
[www.brewercompany.com](http://www.brewercompany.com)

**IMPORTANT INFORMATION**

**General**

The AssistPRO is designed to provide positioning and support of patients during general examinations conducted by qualified medical professionals. Read and understand all operating instructions, safety information, and maintenance requirements contained in this manual prior to operating the table. Become familiar with all of the table functions before using it with a patient.

The AssistPRO is primarily used in examination rooms for general examinations and minor procedures. The wide variety of positions, adjustable legrest, adjustable headrest, stirrups, and treatment pan, create a safe and convenient patient positioning table.

Controlled via the hand pendant or foot control, four powered motions easily adjust the table into a wide variety of positions. The table ascends to 40" high, and can be lowered to 19" (thereby providing easier wheelchair transfer). The seating surface can be tilted from a horizontal position to an angled position of up to 30°. The backrest can be adjusted from a flat position to an 85° angle for seating. Finally, the legrest can be adjusted from a vertical position for seating, to a horizontal position for laying.

The AssistPRO is also capable of storing four preferred positions into the table's memory. Utilizing an intuitive two step programming method, the user can recall any programmed position with the touch of a button. See page 14 for complete programming instructions.

In addition to the electronically controlled positions noted above, several manual adjustments are available:

1. The legrest can be manually adjusted from a sitting to a kneeling position.
2. With the table in the horizontal position, the legrest can be extended an additional 5" for tall patients.
3. Stirrups may be manually extended and positioned anywhere within the lateral range of travel.
4. A removable treatment pan is housed underneath the front of the seat for easy access. Simply pull the tray out for use during examinations.
5. A three point pivot system allows the user to adjust the angle and position of the headrest.
6. The backrest incorporates a self-storing paper roll.

**The table is designed to accommodate a maximum patient weight of 450 lbs.**

Remember to read through the entire manual. The features briefly mentioned are just an introduction into the capabilities provided by the AssistPro. This table was specifically engineered to be the most accessible and safest table on the market. Multi-density upholstery, push-only actuators, and numerous on/off switches are just a few of the many touches that make the AssistPRO the best procedure table for every office.

**Service**

If you require assistance with the installation or operation of your AssistPRO, call the Brewer Customer Service Department at **1-800-558-8777**. Our trained staff will assist you in attempting to correct the problem directly over the phone. If service is required, a factory authorized technician will be sent to your location.

Please fill in the following information for use when calling the Brewer Company or your distributor with questions regarding your unit. See Figure 1 for model and serial number location.

Date of Purchase \_\_\_\_\_

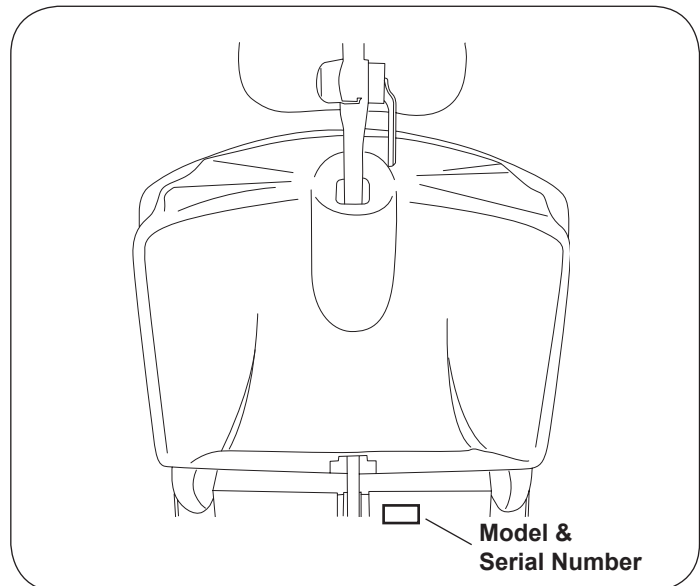
Serial Number \_\_\_\_\_

Model Number \_\_\_\_\_

Authorized Dealer Name \_\_\_\_\_

Dealer Phone Number \_\_\_\_\_

Dealer Address \_\_\_\_\_




**Figure 1. Model and Serial Number Location**

## SAFETY INFORMATION

### Safety Information


The primary concern of The Brewer Company is that the equipment is operated and maintained with the safety of the patient and healthcare staff in mind. To ensure safe and reliable operation:

- Read and understand all instructions in this manual before attempting to install or operate the unit.
- Ensure that appropriate personnel are informed on the manual contents. This is the responsibility of the purchaser.
- Ensure that this manual is located near the table, or if possible permanently affixed to the table.

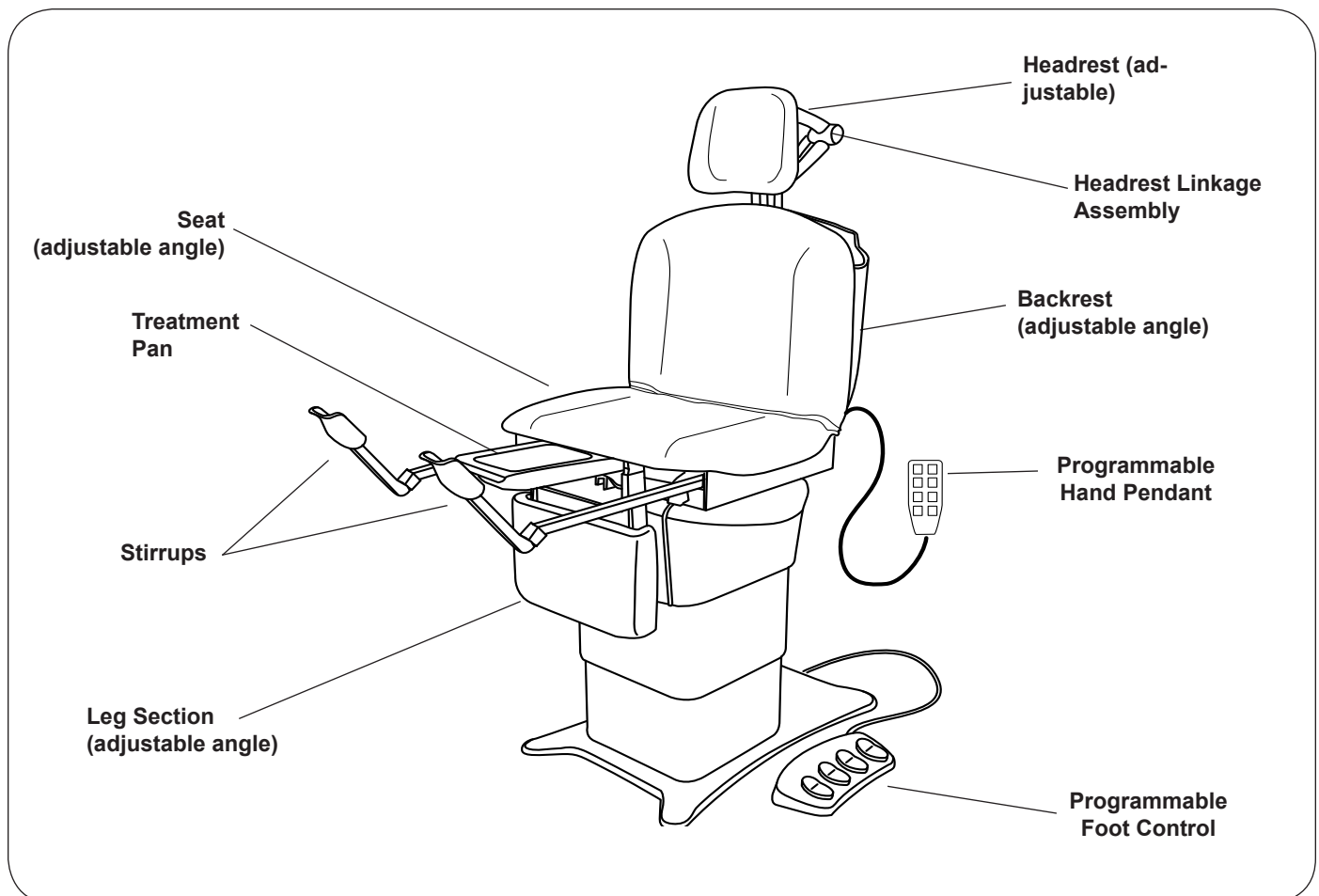
Failure to follow instructions with this symbol  could result in serious personal injury and/or damage to the unit.

 **DANGER** indicates an imminently hazardous situation which, if not avoided, will result in death or serious injury.

 **WARNING** indicates a potentially hazardous situation which, if not avoided, could result in death or serious injury.

 **CAUTION** indicates an imminently or potential hazardous situation which, if not avoided, may result in serious injury and/or equipment damage.

## COMPONENT IDENTIFICATION



*Figure 2. Component Overview*

## SPECIFICATIONS

Weight of Table.....550 lbs.  
 Load Rating (maximum):  
 Seat/Back .....450 lbs.  
 Legrest (Flat & Kneeling).....450 lbs.  
 Headrest.....100 lbs.  
 Back Section Range ..... 0° (horizontal) to +85° ± 5°  
 Table Top Height Range ..... 19 ± 0.5 in. to 40 ± 1.0 in.  
 Leg Section Range .....0° (horizontal) to 90° (vertical)  
 Table Top  
 Tilt Range ..... 0° (horizontal) to +30° ± 5° (foot up)  
 Dimensions:  
 Upholstered Headrest..... 13 in. wide x 11 in. high  
 Upholstered Top .....28.0 in. wide x 44.5 in. long  
 Upholstered  
 Leg Rest ..... 16.5 in. wide x 11.25 in. high  
 Overall Length .....69 in. long  
 With Headrest/  
 Footrest Extended .....90 in. long  
 Electrical Requirements  
 .....115 VAC nominal, 60 HZ, 5.8 amps maximum  
 Duty Cycle (10%)  
 ..... 2 minutes on / 18 minutes off (motor run time)

Power Cord.....  
 ..... Extends 70 in. (Minimum) from table. 18 AWG / 3  
 ..... conductor, SJT grey jacketed junior hard service  
 .....with hospital plug  
 Type of protection against electrical shock ..... Class 1  
 ..... Grounded  
 Type of protection  
 against electrical shock ..... B applied parts  
 Type of protection against ingress of water..... Ordinary  
 Type of protection against ingress of water for foot control..IPX1  
 Can accept paper rolls of  
 ..... 18 in. x 3.0 in.  
 ..... 21 in. x 3.0 in.  
 Certifications\* ..... UL6060-1; UL2601-1;  
 ..... IEC60601-1; CAN-CSA C22.2 No. 601.1  
 Transport and Storage Conditions:  
 Temperature Range.....-20° to 150° F  
 Relative Humidity..... 10% to 90%  
 Operating Conditions:  
 Temperature Range..... 65° to 85°F  
 Relative Humidity..... 10% to 90%

\* ETL classified in the United States and Canada per the following standards.

## ELECTRICAL REQUIREMENTS

**⚠ WARNING**

When performing a cauterization or similar treatment, the patient must be insulated from the metal portions of the table by nonconductive material. Failure to do so may result in electrical shock or burns to the patient.

**⚠ CAUTION**

Do not use any power supply other than that listed on the rating label (Figure 1). Failure to do so may result in serious injury and/or equipment damage.

**⚠ WARNING**

Use 115 VAC, 60 Hz alternating current only. Failure to do so may result in electrical shock to personnel and will result in damage to the table.

**⚠ CAUTION**

This product has been evaluated with respect to electrical shock, fire, and mechanical hazards only in accordance with UL60601-1; IEC60601-1; UL2601-1; CAN/CSA C22.2 No. 601.1

**⚠ WARNING**

Do not use this table in an explosive or oxygen-enriched atmosphere. Failure to do so may result in serious personnel injury or death.

## INSTALLATION

### Overview

Perform the following sequence in order when setting up the table:

- Uncrating
- Leveling the Base
- Installing the Foot Control & Hand Pendant

### Uncrating

*NOTE: Inspect all boxes and contents for damage. Report any damage to the carrier immediately.*

#### **CAUTION**

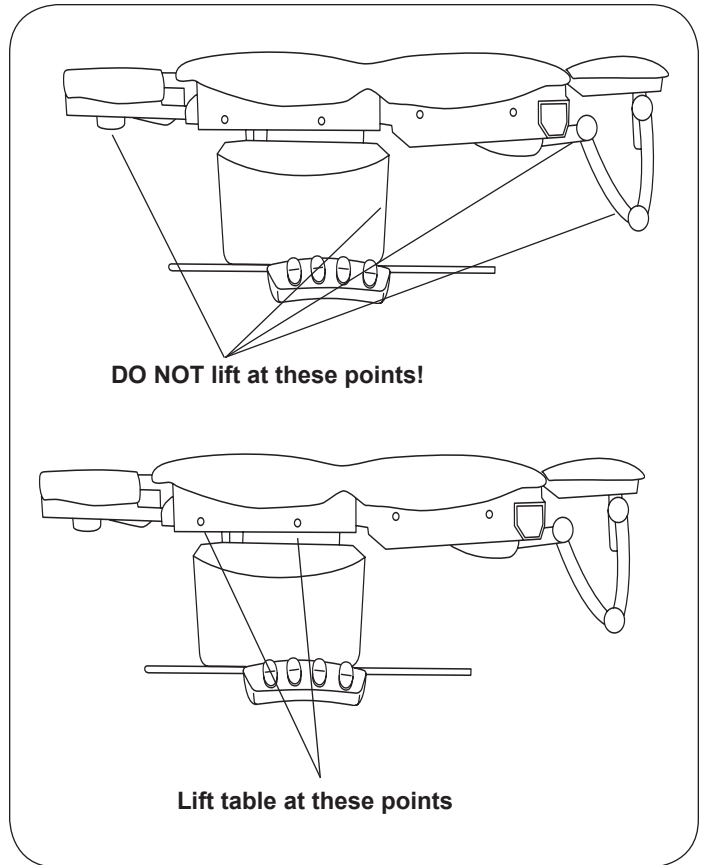
To avoid damaging the table's upholstery or painted surfaces, **DO NOT** use a knife or other sharp object to open the packaging. Also, to avoid damaging the table lift only at points indicated in Figure 3. Do not lift at other points as indicated in Figures 3 and 4.

1. Using a 1/2" open-end wrench, or socket, unbolt the table from the wooden shipping skid by removing the four bolts located underneath the table's base; two on each side.
2. Remove the table from the shipping skid by sliding it off the front of the skid. Be sure to lift at the correct points as indicated in Figure 3. Position the table in the desired room location.

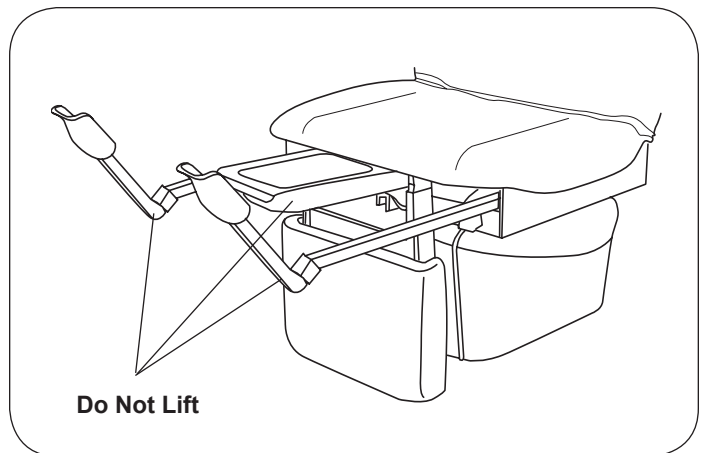
#### **WARNING**

The table weighs approximately 550 lbs. Two or more people should assist in removing the table from the shipping skid. Also, use proper lifting techniques when lifting. Failure to do so could result in serious injury.

3. Remove packing tape from stirrups (Figure 4). Pull out treatment pan slide and remove packing tape from the treatment pan assembly components. Return treatment pan slide to its stowed position.
4. The electrical rating for this unit is 115 VAC, 60 Hz, 5.8 amps. The three-pronged grounding plug on the table power cord must be plugged into a matching three-pronged, grounded, non-isolated, correctly polarized 115 VAC receptacle.



**Figure 3. Table Lift Points**



**Figure 4. Stirrups and Treatment Pan**

## INSTALLATION (CONTINUED)

### Leveling the Table

A leveling screw pad (Figure 5) is located in six places under the table's base. Adjust the six leveling pads to achieve a solid, level installation.

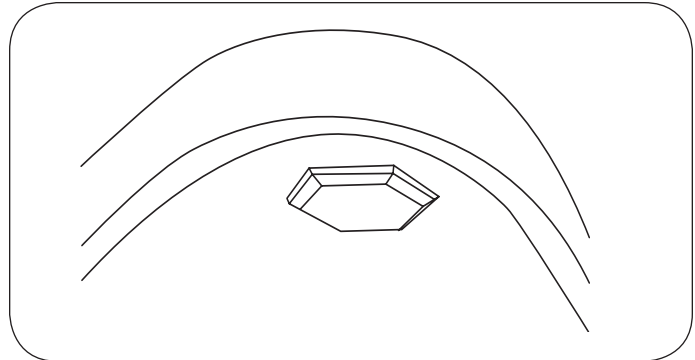


Figure 5. Leveling Screw Pad (located under table)

### Installing the Power Cord

1. Remove the power cord from the shipping box.
2. Insert the plug end of the power cord into the receptacle on the table (Figure 6). Make sure the plug end shape is correctly oriented to the receptacle shape.

### Installing the Foot Control

1. Remove the foot control from the shipping box.
2. Insert the end of the cord into the foot control receptacle on the table (Figure 6). Make sure the tab on the cord plug is aligned with the groove in the receptacle, and the plug is fully seated.
3. Thread the locking collar onto the receptacle
4. Make sure the on/off switch located on the backrest shroud is turned to the "on" position. See figure 7.
5. Make sure both Safety On/Off Switches are on (lighted). See figure 9.
6. Test the foot control for operation.

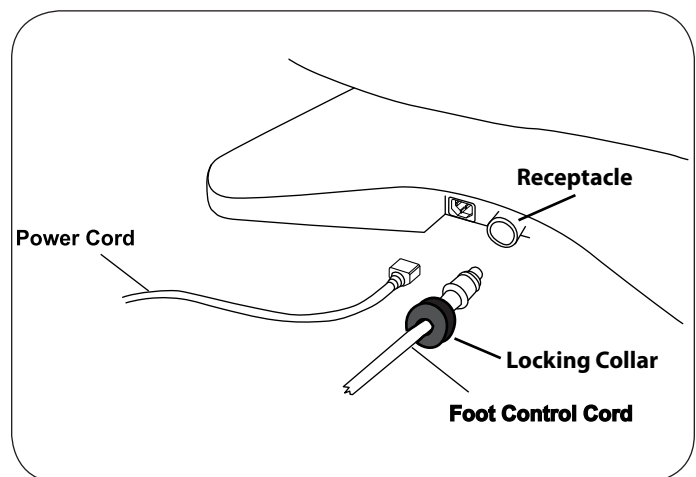


Figure 6. Power Cord & Foot Control Cord Receptacles



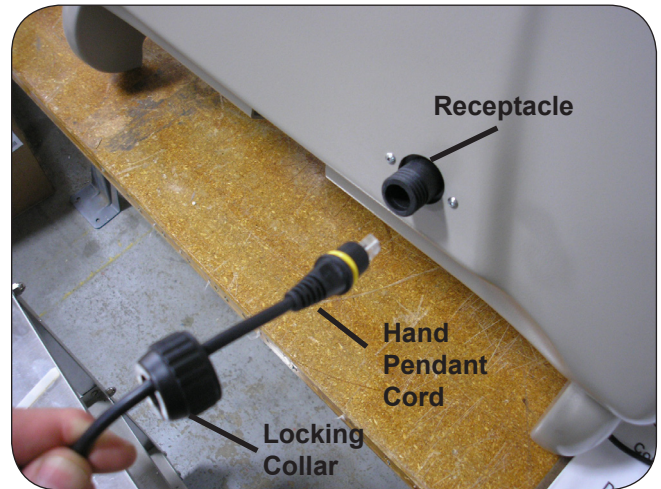
Figure 7

Foot Control/Hand  
Pendant On/Off  
switch

## INSTALLATION (CONTINUED)

### Installing the Hand Pendant

1. Remove the hand pendant from the shipping bag
2. Insert the plug end of the cord into the hand pendant receptacle on the backrest shroud. See figure 8.
3. Make sure the tab on the cord plug is aligned with the groove in the receptacle and plug is fully seated
4. Thread the locking collar onto the receptacle
5. Test the hand pendant for operation



*Figure 8*

## OPERATION

### General

#### **⚠ WARNING**

If the table malfunctions, immediately remove your hand or foot from the controls, unplug the power cord from the electrical receptacle, and assist the patient from the table. If table continues to malfunction, call for service. Do not attempt to repair table yourself.

#### **⚠ WARNING**

Before initiating power, keep personnel and equipment clear of the table movement to avoid personal injury or equipment damage.

*NOTE: For optimum table performance, allow the table to reach room temperature before operating.*

*NOTE: The table is not designed for continuous operation. If the table is operated continuously causing the control to exceed its allowable operating temperature, the table will go into a reduced speed mode. If normal operation ceases, do not attempt to operate the table. Allow the table to cool for 10-15 minutes before attempting to use again.*

*NOTE: If operation does not resume after a cooling period of one hour, contact your dealer or an authorized service center for repair.*

### Safety On/Off switches

1. The table is equipped with two On/Off switches that disrupt the main power to the table.
2. The switches are located on the upper left and right hand sides of the backrest shroud. See figure 9.
3. In the "On" position the switch is lighted green. Both switches must be in the On, lighted position for the table to operate.



**Figure 9**



**OPERATION (CONTINUED)**

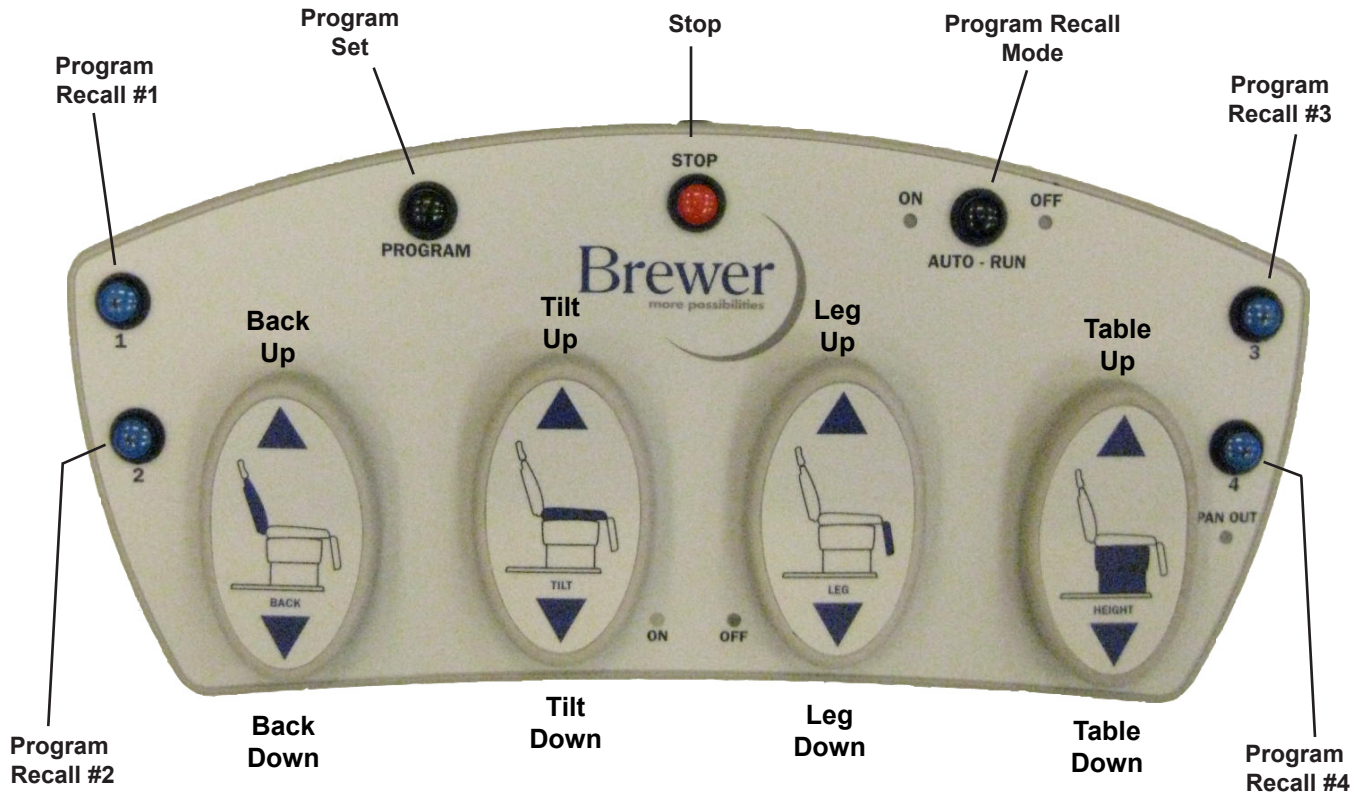


Figure 10

**Controls**

1. See figure 10 for the pedal and button identifications on the foot control
2. See figure 11 for the button identifications on the hand pendant

**⚠ CAUTION**  
The foot control and hand pendant are moisture resistant and run on low voltage. To avoid temporary or permanent damage to the controls, do not immerse in water or liquids.

**⚠ CAUTION**  
Keep foreign objects away from controls. To avoid accidental operation, be sure the controls are NOT positioned below the legrest or headrest linkage. Failure to do so could result in unwanted motion and possible damage to the table.

**⚠ WARNING**  
Keep personnel and equipment clear of table before initiating movement to avoid personal injury or damage to the equipment.

*NOTE: Each control function will automatically stop moving when either the UP or DOWN travel limit is reached. If the button is pressed with travel at its limit, the actuator will not run. Sensors prevent the actuator motor from operating when travel limit has been reached, preventing wear of the actuator.*

**OPERATION (CONTINUED)**

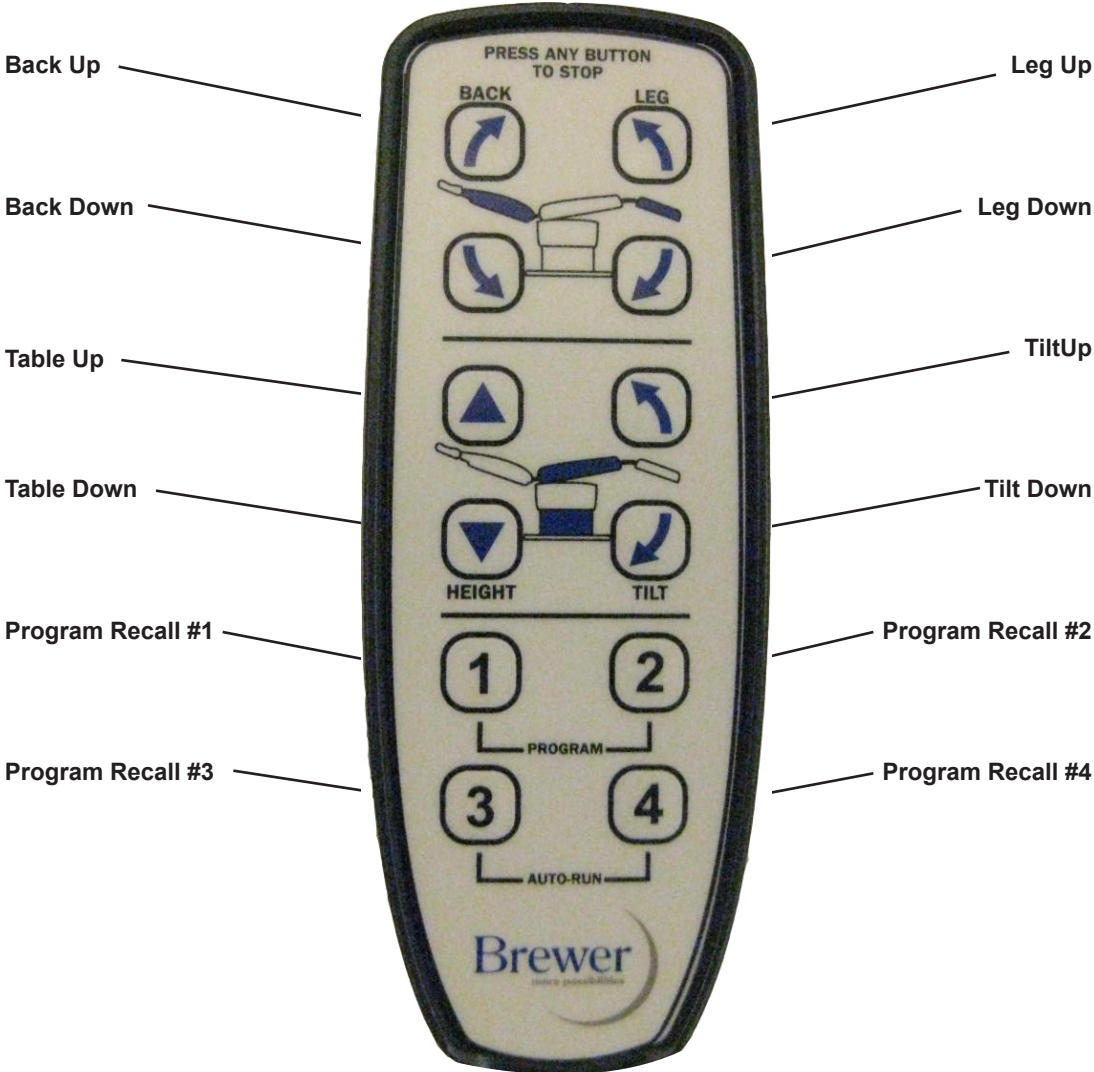


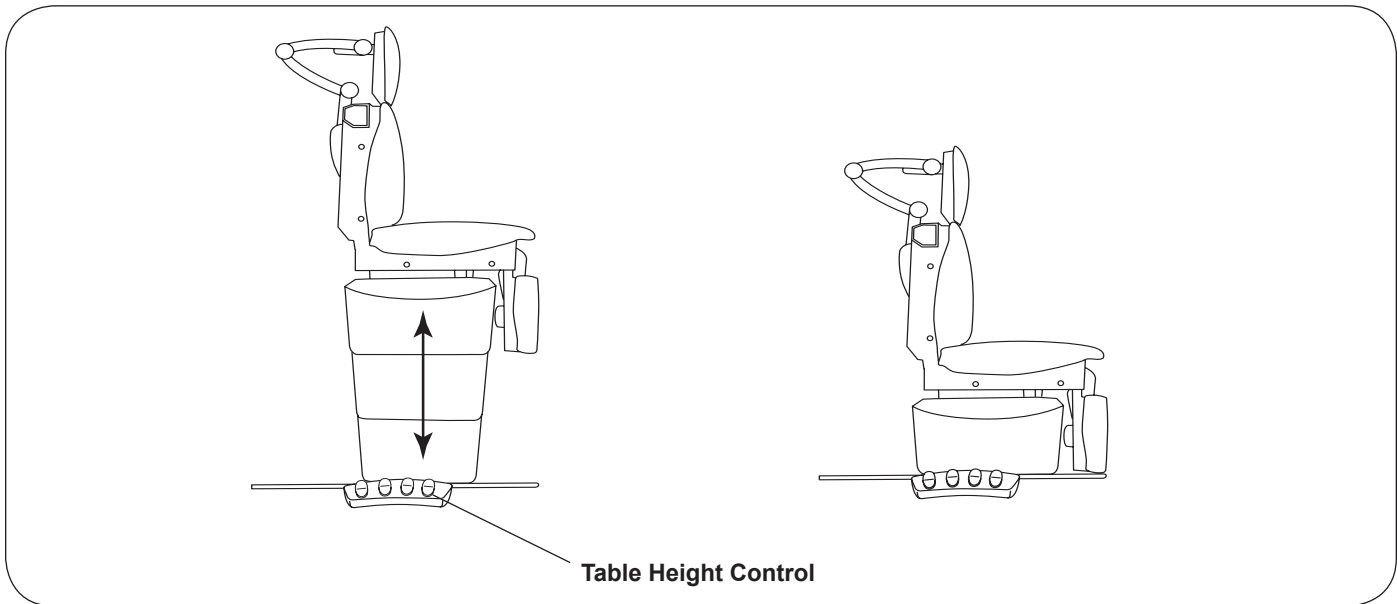
Figure 11

**TABLE ADJUSTMENTS**

**Table Height (Figure 12)**

The table top can be adjusted to any height between 19” to 40”.

1. To raise the table, depress and hold the Table/Up function until the desired height is achieved.
2. To lower the table, depress and hold the Table/Down function until the desired height is achieved.



**Figure 12. Table Height Positioning**

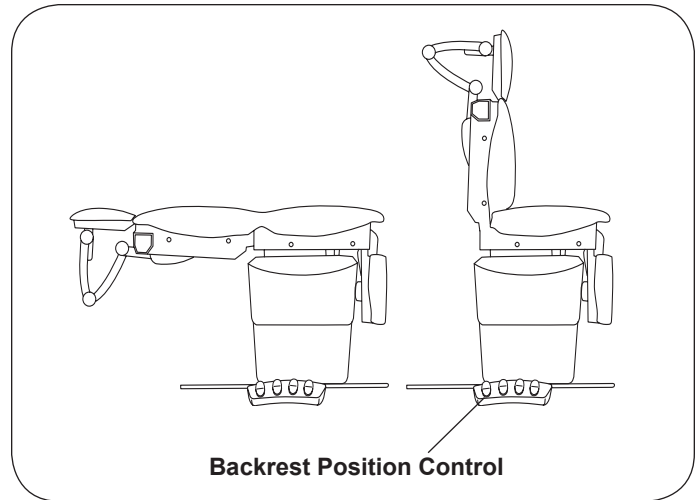
**TABLE ADJUSTMENTS (CONTINUED)**

**Back Positions (Figure 13)**

The back can be adjusted to any angle between horizontal and 85°.

1. To adjust the back from a chair (upright) position to a horizontal position, depress and hold the Back/Down function until the desired angle is achieved.
2. To adjust the backrest from a horizontal position to a chair (upright) position, depress and hold the Back/Up function until the desired angle is achieved.

*NOTE: The back is controlled by an actuator that raises the back when activated. When lowered, the actuator retracts and gravity causes the back to lower.*



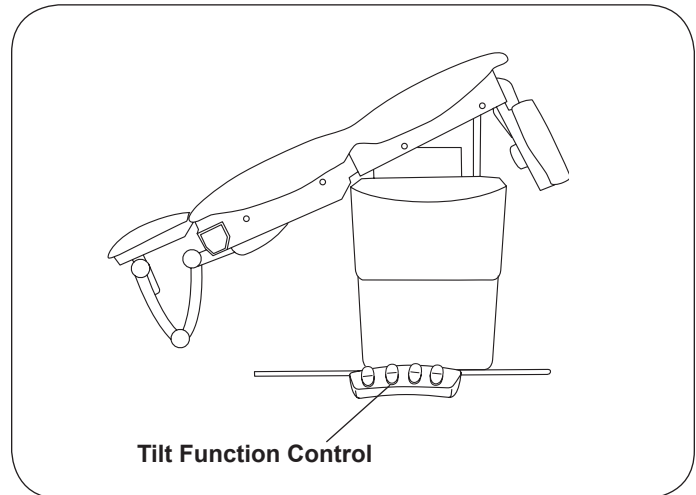
**Figure 13. Adjusting Backrest**

**Tilt Function (Figure 14)**

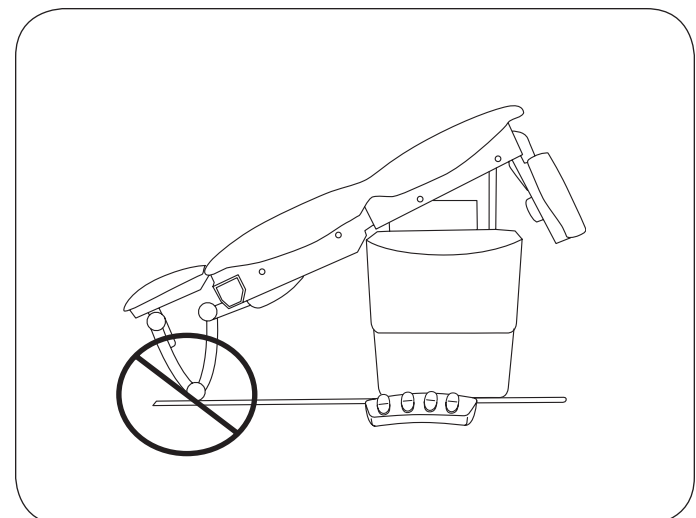
The table top can be tilted to any angle between horizontal and +30° (foot end of table raised).

1. To tilt the foot end of the table upward, depress and hold the Tilt/Up function until the desired angle is achieved.
2. To tilt the foot end of the table downward, depress and hold the Tilt/Down function until the desired angle is achieved.

*NOTE: The headrest linkage may contact the floor or other object when the table is tilted (Figure 15). If this occurs, raise the table, reduce the amount of tilt, or raise the back.*



**Figure 14. Tilt Function**



**Figure 15. Do Not Allow Headrest to Contact Objects**

**TABLE ADJUSTMENTS (CONTINUED)**

**Legrest Positions (Figure 16)**

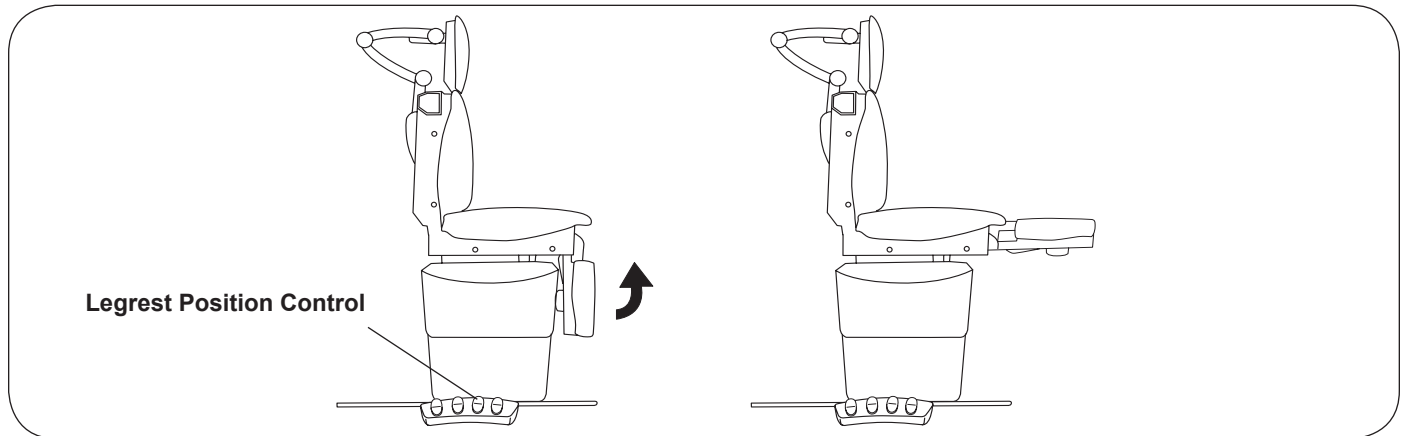
The legrest can be adjusted from a horizontal position to a vertical position.

1. To adjust the legrest from a vertical position to a horizontal position, depress and hold the Legrest/Up function until the desired angle is achieved.
2. To adjust the legrest from a horizontal position to a vertical position, depress and hold the Legrest/Down function until the desired angle is achieved.

*NOTE: A safety switch inhibits upward movement of the legrest when the treatment pan tray is extended-*

*ed preventing the legrest from contacting the treatment pan tray. If the legrest is inoperable, check to ensure that the treatment pan tray is in its fully stowed position (inward). \*When the treatment pan tray is extended, a light on the foot control labeled "Pan Out" is illuminated. The legrest will not rise. Depressing the legrest up function will cause the light to blink and a double beep alarm to sound.*

*NOTE: The legrest mechanism is controlled by an actuator that raises the legrest when activated. When lowered, the actuator retracts and gravity causes the legrest to lower.*

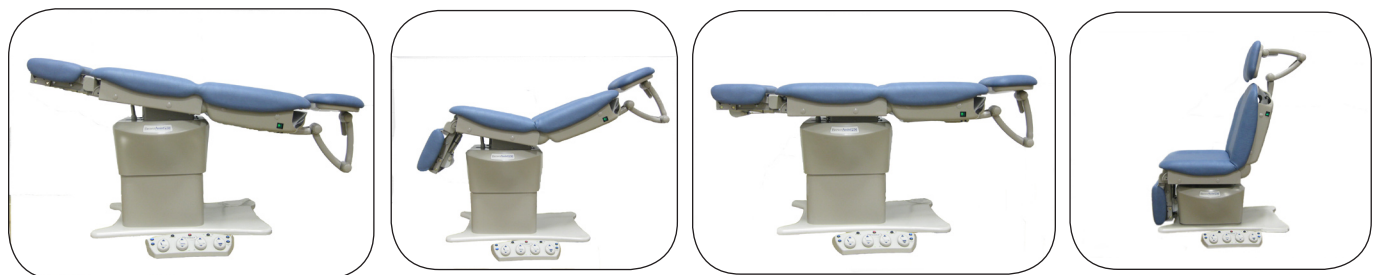


**Figure 16. Legrest Positions**

**Using the Program Feature**

1. The table can be programmed using the hand pendant or the foot control. Up to four different positions can be programmed.
2. The table is already programmed from the factory with four preset positions. See figure 17 below.
3. Refer to figure 10. The mode in which the pre-programmed positions are recalled can be set by the end user. The black "Program Recall Mode" button is used to set the recall motion to "Auto Run" or "Continuous Touch". In the "Auto Run" mode, a single instantaneous touch of a blue Program Recall button will recall that position. In the "Continuous Touch" mode, the blue Program Recall button must be held down continuously until the table reaches the programmed position.
4. To set the program mode, depress the black "Program Recall Mode" button on the foot control for (5) five seconds, until (2) beeps are heard. A light

(Continued...)



**Position 1**

**Position 2**

**Position 3**

**Position 4**

**Figure 17**

## TABLE ADJUSTMENTS (CONTINUED)

on the foot control will indicate if the “Auto-Run” mode is on or off. To set the program mode using the hand pendant, simultaneously depress the program recall number “3” and number “4” buttons for five seconds until two beeps are heard.

5. When the table is moving in the auto run mode, motion of the table can be stopped by:
  - a. Tapping the “Stop” button on the foot control.
  - b. Tapping any pedal or button on the foot control.
  - c. Depressing any button on the hand pendant

Note: For emergency situations, the table can be turned off using either of the two lighted switches located at the top of the backrest. See figure 9.

### Programming the Table with the Foot Control

1. Using the foot control pedals, move the table to the desired position. (see figure 10) Tap the black “Program Set” button. The four blue “Program Recall” buttons will flash. Tap one of the blue buttons to store the position. The blue light will stay lit for that position and two beeps will sound.

Note: The blue lights will flash for three seconds, after which the program set mode is discontinued.

2. Move the table to a new position and repeat step 1 to store up to three additional positions.
3. Any of the four stored positions can be re-programmed by following the steps above.

Note: if the treatment pan tray is out, the position recall will not work if the pre-set position requires the legrest to move upward.

### Programming the Table with the Hand Pendant

1. Move the table to the desired position. Simultaneously depress the number “1” and the number “2” “Program Recall” buttons. (see figure 11) Release the two buttons. Depress one of the four “Program Recall” buttons to store the position. Two beeps will sound.

Note: The Program Set Mode will remain active for three seconds after simultaneously depressing the number “1” and the number “2” “Program Recall” buttons.

2. Move the table to a new position and repeat step 1 to store up to three additional positions.
3. Any of the four stored positions can be re-programmed by following the steps above.

Note: if the treatment pan tray is out, the position recall will not work if the pre-set position requires the legrest to move upward.

### Safety

The table has a built in safety feature which helps avoid injury to the patient or physician when recalling a programmed position in the “Auto-Run” mode:

1. The table will stop moving downward once the legrest (in the stowed position) reaches a height of four inches off the ground
2. The legrest will stop one inch from the lift column shrouding.
3. The pelvic tilt will stop after moving to 10 degrees

**TABLE ADJUSTMENTS (CONTINUED)**

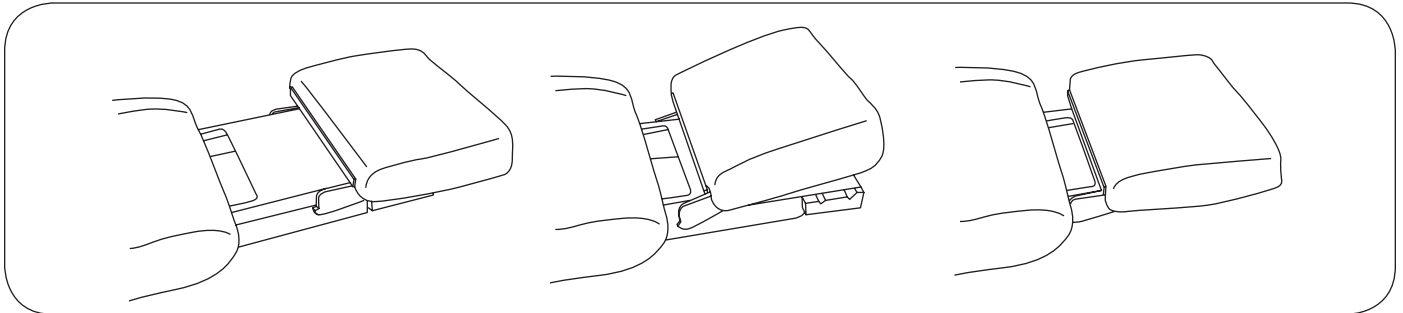
**Legrest Extension (Figure 18)**

In the horizontal position, the legrest can be extended 5" to increase the overall length of the table.

Lift up on the legrest and pull outward to extend the legrest. To return the legrest to the shortest position, lift up on the legrest and push fully inward.

**⚠ CAUTION**

To prevent damage to the unit, the legrest must be returned to the shortest position prior to lowering the legrest to the vertical position.



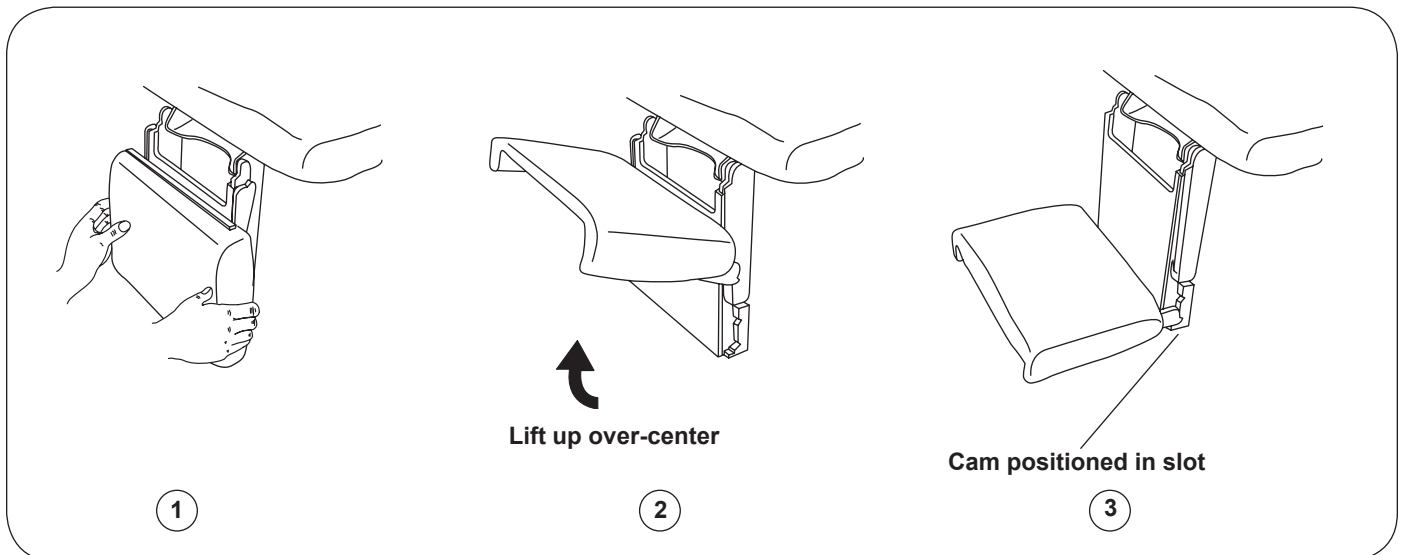
**Figure 18. Legrest Extension**

**Legrest Kneeling Position (Figure 19)**

The legrest can be rotated to a kneeling position.

*NOTE: Make sure the legrest cushion is full engaged with the stops on both sides. When properly engaged, the legrest cushion is parallel to the ground.*

1. Grasp the legrest cushion on both sides.
2. Rotate the cushion upward until rotation stops.
3. Slide the legrest downward and rotate the cushion downward to engage the stop. Two height positions are provided.

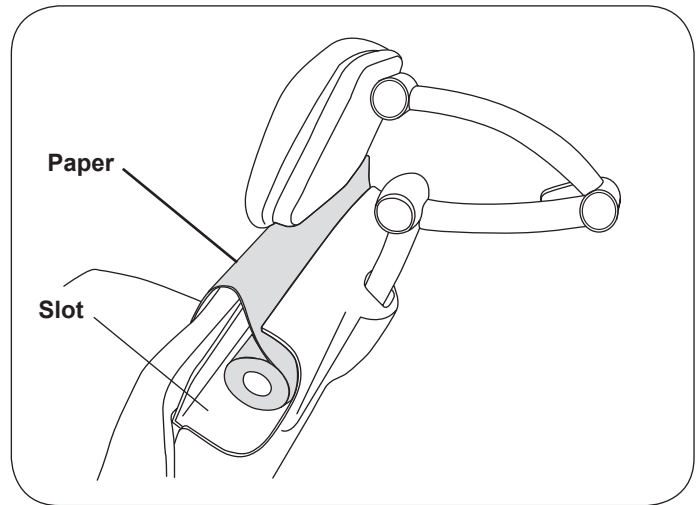


**Figure 19. Legrest Kneeling Position**

**TABLE ADJUSTMENTS (CONTINUED)**

**Paper Roll (Figure 20)**

To change a paper roll, insert the paper through the slot in the backrest shrouding and set the paper roll in the holder.



*Figure 20. Paper Roll*



## TABLE ADJUSTMENTS (CONTINUED)

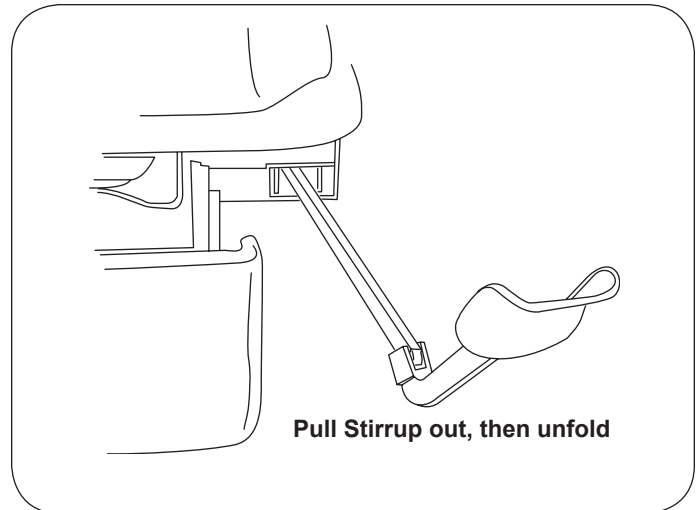
### Stirrups

#### OPERATING THE STIRRUPS (FIGURE 21)

1. To operate the stirrups, grasp end of stirrup and pull straight out of the table. Lift up slightly while sliding the stirrup out.

*NOTE: Do not apply any downward pressure when pulling stirrup from table or it may be difficult to move. This is normal and is part of the stirrup friction locking mechanism*

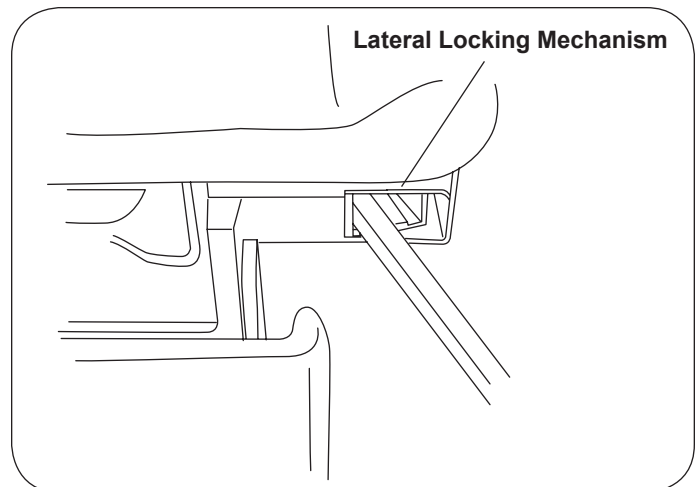
2. Unfold stirrup upward to the fully open position.
3. Adjust the stirrup to the desired length by sliding it in or out.



**Figure 21. Operating the Stirrups**

#### STIRRUP LATERAL ADJUSTMENT (FIGURE 22)

1. Lift end of stirrup and then rotate outward to desired position.
2. When the desired position is achieved, lower the stirrup to engage the lateral locking mechanism.
3. Check that lateral locking mechanism is engaged by attempting to rotate stirrup assembly without lifting on the stirrup end.



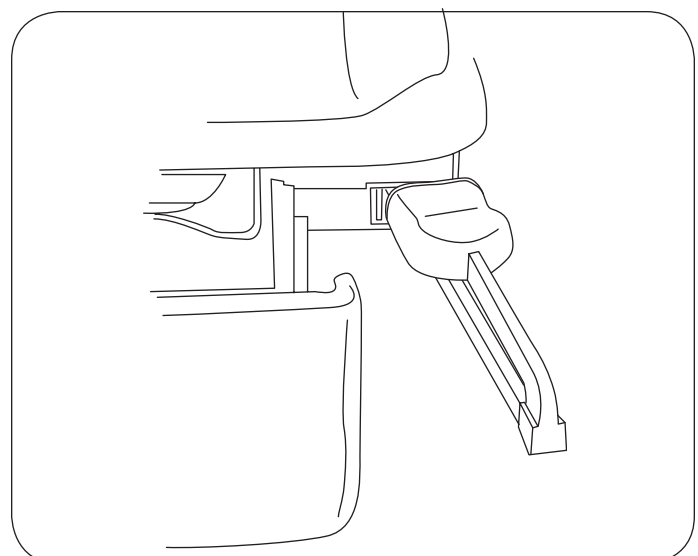
**Figure 22. Stirrup Lateral Adjustment**

### **⚠ WARNING**

**Failure to engage the lateral locking mechanism could allow patient to lose balance resulting in personal injury to patient.**

#### STORING THE STIRRUPS (FIGURE 23)

1. To store the stirrups in the table, grasp end of stirrup and pull straight out to its full extension.
2. Fold stirrup down against bar, then rotate it to the inner most lateral position and slide it back into the stowed position.



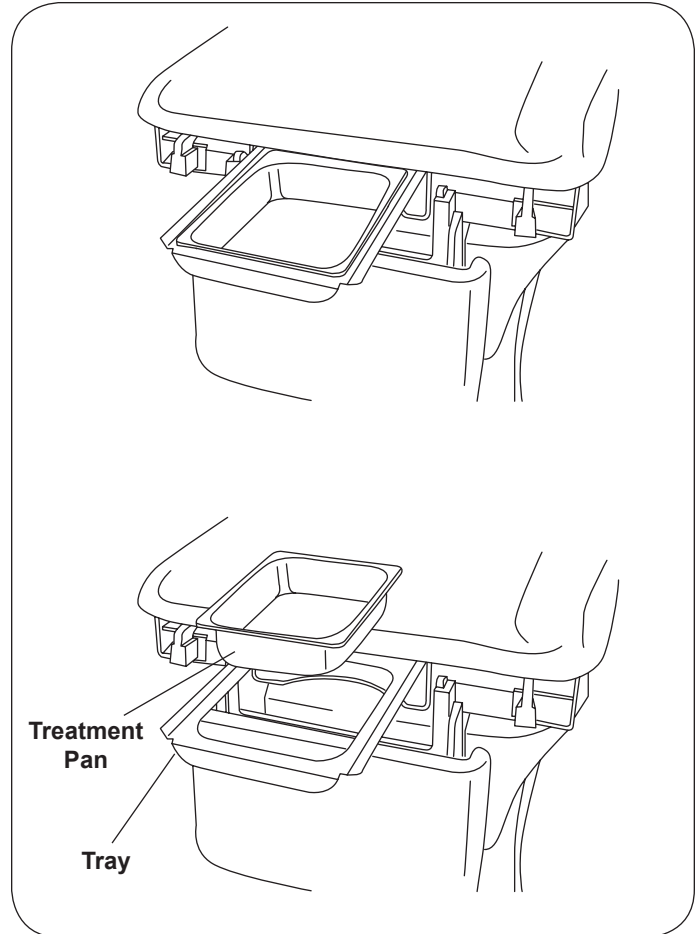
**Figure 23. Storing the Stirrups**

## TABLE ADJUSTMENTS (CONTINUED)

### Treatment Pan (Figure 24)

*NOTE: A safety switch prevents upward motion of the legrest when the treatment pan tray is extended. This prevents the legrest from contacting the treatment pan tray. If the legrest upward motion is inoperable, check to ensure that the treatment pan tray is in its fully stowed position (inward). A light clicking sound will be heard just before the treatment pan reaches its fully stowed position.*

1. To expose the treatment pan for use, grasp the tray handle and pull until tray is fully extended (Figure 24).
2. The pan can be easily removed for cleaning with the tray fully extended. Fully seat pan into tray when clean.
3. Push the tray handle as far in as it will go to fully stow the treatment pan after use. A light clicking sound will be heard just before the pan reaches its fully stowed position.



**Figure 24. Treatment Pan**

### Headrest Positions (Figure 25)

#### **⚠ WARNING**

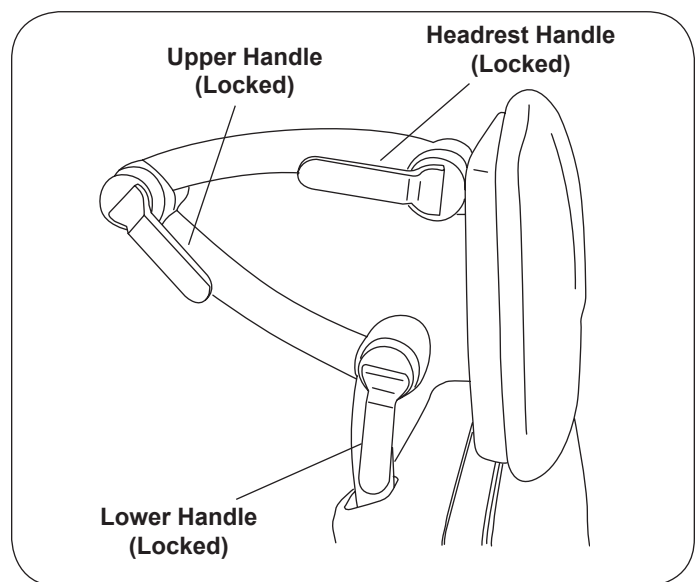
**Make sure headrest is securely locked into position before use. Failure to have the three handles correctly locked could result in headrest falling during a procedure which could result in serious personal injury.**

1. To move the headrest, rotate the three handles to their open position. Move the headrest to its desired location. Rotate the 3 handles to their locked position as shown in Figure 25.
2. Each section of the headrest can be adjusted independently by rotating the handle to the open position, moving the desired section, and then rotating the handle to the closed position.

*NOTE: Make sure all three handles are locked. A handle is locked correctly when it is pushed past center and the force of the clamping action pulls the handle into the locked position and holds it there.*

#### **⚠ WARNING**

**If any of the handles fails to lock properly, the headrest assembly could fall during a procedure. This could cause severe injury to a patient. Do not attempt to repair the headrest assembly yourself; call for service.**



**Figure 25. Headrest Handles**

## MAINTENANCE

### Preventative Maintenance

#### ⚠ CAUTION

Failure to perform periodic inspections of the table could result in personal injury or equipment damage.

- Periodically inspect the electrical cord to ensure it is free of cuts or damage.
- Inspect the mechanical functions to ensure satisfactory operation.
- Check fasteners to make sure they are present and tightened securely.
- Lubricate moving parts (such as back, tilt, and legrest hinges) with a light machine oil.
- Have your authorized dealer inspect your table every 6 months.

### Table Care

#### ⚠ CAUTION

The upholstery material is resistant to most medicinal type stains, but may be damaged by solvents and dyes. Remove any spilled fluids from the upholstery immediately.

Clean the table weekly, wiping the painted metal and plastic surfaces with a clean, soft cloth. If desired, mild cleaners may be used.

## LIMITED WARRANTY

### The Brewer Company GENERAL TERMS AND CONDITIONS

**Warranty:** The Brewer Company warrants its AssistPRO programmable power table to be free from defects in parts and workmanship under normal use and service for a period of three (3) years from date of shipment. The Brewer Company will not be responsible for any Product failure due to abuse, misuse, modification or improper use or for any use which exceeds the published capacity of the Product. Products returned by prepaid freight for inspection and found defective will, at the option of The Brewer Company, be repaired or replaced at no charge, but no claim for outside labor or other charges will be allowed. Products must not be returned without proper written authorization from The Brewer Company. Requests for authorization must be in writing and accompanied by the original purchase order, The Brewer Company invoice number and a copy of the invoice for the Product. THIS WARRANTY IS EXCLUSIVE AND IN LIEU OF ALL OTHER WARRANTIES AND REMEDIES WHATSOEVER, INCLUDING BUT NOT LIMITED TO IMPLIED WARRANTIES OF MERCHANTABILITY AND/OR FITNESS FOR A PARTICULAR PURPOSE. NO AGENT, EMPLOYEE, OR REPRESENTATIVE OF THE BREWER COMPANY HAS ANY AUTHORITY TO MAKE ANY AFFIRMATION, REPRESENTATION, OR WARRANTY NOT SET FORTH IN THESE TERMS AND CONDITIONS CONCERNING ANY PRODUCTS OF THE BREWER COMPANY. THE BREWER COMPANY SHALL HAVE NO LIABILITY WHATSOEVER FOR DAMAGES CAUSED BY TRANSPORTATION, ACCIDENTS, FIRE, UNAUTHORIZED ALTERATION, OR NORMAL WEAR OR ABUSE, NOR SHALL THE BREWER COMPANY HAVE ANY LIABILITY WHATSOEVER FOR ANY INCIDENTAL OR CONSEQUENTIAL DAMAGES, including without limitation, lost profits or any such damages arising from (a) the design, manufacture, sale, delivery, installation, repair, operation or use of products of The Brewer Company or any part thereof, (b) any actual or alleged failure or defect in products of The Brewer company or any part thereof, or (c) any actual or alleged breach or non-performance by The Brewer Company of this limited warranty.

**Freight Claims:** Upon receipt, merchandise should be carefully examined to ascertain that proper amount has been received in good condition. Any claim for shortage or damage must be made with delivering carrier within five (5) days from receipt of goods. We do not assume any responsibility for loss or damage in transit, and compensation for such loss must be obtained from the carrier.