

TROUBLESHOOTING

Light does not turn on

- Make sure power cord is connected to outlet, and that outlet is functioning.
- Check the circuit breaker for the outlet (if outlet is not functioning)
- Check the power cord for damaged insulation; replace if necessary.
- Incandescent Model: Fuse blown. Replace Fuse
- Verify bulb is functional and installed properly. Make sure bulb is cool before checking proper installation.
- Replace light bulb. If problem persists, call Customer Service at **1.888.Brewer.1** (1.888.273.9371).
- Halogen Model: Failed wire, connector, or transformer, call Customer Service at **1.888.Brewer.1** (1.888.273.9371).
- Halogen Model: Verify continuity from connector in base through light head.

Light head disconnected

Reinsert gooseneck making sure the 1/4" round clips on side of bushing at bottom of gooseneck align and lock into 1/4" round holes at top of upright pole. DO NOT lift light by gooseneck. Lift light by upright pole.

<p>CAUTION</p> <p>Failure to perform periodic inspections of the light could result in personal injury or equipment damage.</p>	<ul style="list-style-type: none"> • Periodically inspect the electrical cord to ensure it is free of cuts or damage. • Inspect the mechanical functions to ensure satisfactory operation. • Check fasteners to make sure they are present and tighten securely.
--	---

LIMITED WARRANTY

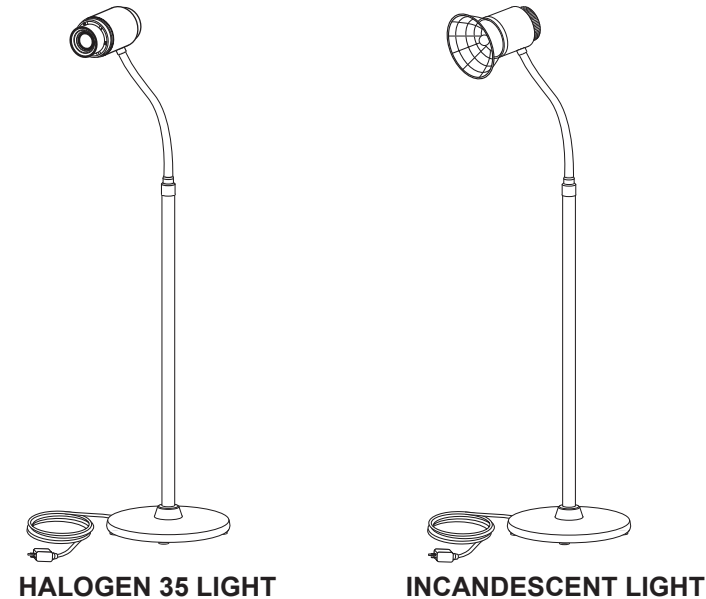
**The Brewer Company
GENERAL TERMS AND CONDITIONS**

Warranty: The Brewer Company warrants its lighting products to be free from defects in parts and workmanship under normal use and service for a period of one (1) year from date of shipment. The Brewer Company will not be responsible for any Product failure due to abuse, misuse, modification or improper use or for any use which exceeds the published capacity of the Product. Products returned by prepaid freight for inspection and found defective will, at the option of The Brewer Company, be repaired or replaced at no charge, but no claim for outside labor or other charges will be allowed. Products must not be returned without proper written authorization from The Brewer Company. Requests for authorization must be in writing and accompanied by the original purchase order, The Brewer Company invoice number and a copy of the invoice for the Product. THIS WARRANTY IS EXCLUSIVE AND IN LIEU OF ALL OTHER WARRANTIES AND REMEDIES WHATSOEVER, INCLUDING BUT NOT LIMITED TO IMPLIED WARRANTIES OF MERCHANTABILITY AND/OR FITNESS FOR A PARTICULAR PURPOSE. NO AGENT, EMPLOYEE, OR REPRESENTATIVE OF THE BREWER COMPANY HAS ANY AUTHORITY TO MAKE ANY AFFIRMATION, REPRESENTATION, OR WARRANTY NOT SET FORTH IN THESE TERMS AND CONDITIONS CONCERNING ANY PRODUCTS OF THE BREWER COMPANY. THE BREWER COMPANY SHALL HAVE NO LIABILITY WHATSOEVER FOR DAMAGES CAUSED BY TRANSPORTATION, FIRE, UNAUTHORIZED ALTERATION, OR NORMAL WEAR OR ABUSE, NOR SHALL THE BREWER COMPANY HAVE ANY LIABILITY WHATSOEVER FOR ANY INCIDENTAL OR CONSEQUENTIAL DAMAGES, including without limitation, lost profits or any such damages arising from (a) the design, manufacture, sale, delivery, installation, repair, operation or use of products of The Brewer Company or any part thereof, (b) any actual or alleged failure or defect in products of The Brewer Company or any part thereof, or (c) any actual or alleged breach or nonperformance by The Brewer Company of this limited warranty.

Freight Claims: Upon receipt, merchandise should be carefully examined to ascertain that proper amount has been received in good condition. Any claim for shortage or damage must be made with delivering carrier within five (5) days from receipt of goods. We do not assume any responsibility for loss or damage in transit, and compensation for such loss must be obtained from the carrier.

**Halogen & Incandescent
Lights**

INSTALLATION & OPERATION MANUAL



IMPORTANT INFORMATION

General

The Halogen 35 Light features a high intensity, low voltage, 35-Watt halogen bulb providing 1500 foot-candles of illumination intensity at a distance of 24". Dichroic film-coated reflectors filter out beam heat resulting in less tissue drying and increased patient comfort. Heat sink technology removes bulb socket heat, keeping the housing cool.

The Incandescent Light features a 25-Watt incandescent bulb coupled with a computer-designed reflector system, to provide shadow-free light.

Other features include:

- Flexible, "no-drift" gooseneck offering superior beam alignment.
- 540° rotation of the light head and gooseneck arm allows for easy positioning of the light source.
- Non-metallic head eliminates surface heat.
- Internal power cord exits the weighted base at floor level.
- Optional compact, 5-leg caster base for increased mobility.

Model & Serial Number

The model number is located on the underside of the light head, near the light switch. The serial number is located on the underside of the light base.

Service

If you require assistance with installation or operation, call the Customer Service Department at 1.888.Brewer.1 (1.888.273.9371). Our trained staff will assist you in correcting the problem directly over the phone. If service is required, a factory authorized technician will be sent to your location.

Please fill in the following information for use when calling Customer Service or your distributor with questions regarding your unit.

Date of Purchase: _____
 Serial Number: _____
 Model Number: _____
 Distributor Name: _____
 Distributor Phone Number: _____

SPECIFICATIONS

Wattage			
• Halogen.....	35	Kelvin (Halogen).....	3000° K
• Incandescent.....	25	Footcandles (Halogen).....	1500 @ 24"
Bulb Type		Rotation, Light Head and Gooseneck.....	540°
• Halogen (qty. 1).....	Part No. 001635	Arm Design.....	Gooseneck
• Incandescent (qty. 1).....	Part No. 001525		

ELECTRICAL REQUIREMENTS

The electrical rating for this unit is 115 VAC, 60 Hz, 0.5 amps for Halogen, 0.3 amps for Incandescent. The three-pronged grounding plug on the power cord must be plugged into a matching three-pronged, grounded, non-isolated, correctly-polarized 115 VAC receptacle.

⚠ WARNING

Use 115 VAC, 60 Hz alternating current only. Failure to do so may result in electrical shock to personnel and will result in damage to the unit.

⚠ CAUTION

This product has been evaluated with respect to electrical shock, fire, and mechanical hazards only in accordance with UL 153; CAN/CSA C22.2 No. 12 or UL 1598.

⚠ CAUTION

Do not use any power supply other than that listed on the rating label. Failure to do so may result in serious injury and/or equipment damage.

SAFETY INFORMATION

Safety Information

The primary concern of The Brewer Company is that the equipment is operated and maintained with the safety of the patient and healthcare staff in mind. To ensure safe and reliable operation:

- Read and understand all instructions in this manual before attempting to install or operate the unit.
- Ensure that appropriate personnel are informed on the manual contents and are familiar with proper operation of the unit before use. This is the responsibility of the purchaser.
- Ensure that this manual is located near the unit.

Failure to follow instructions with this symbol ⚠ could result in serious personal injury and/or damage to the unit.

⚠ **DANGER** indicates an imminently hazardous situation which, if not avoided, will result in death or serious injury.

⚠ **WARNING** indicates a potentially hazardous situation which, if not avoided, could result in death or serious injury.

⚠ **CAUTION** indicates an imminently or potentially hazardous situation which, if not avoided, may result in serious injury and/or equipment damage.

SET-UP & OPERATION

Uncrating

NOTE: Inspect all boxes and contents for damage. Report any damage to the carrier immediately.

⚠ Caution

To avoid damaging the unit or painted surfaces, DO NOT use a knife or other sharp object to open the packaging.

Carefully remove the light from the shipping carton. Remove plastic bag from head and base before operating. Do not dispose of the packaging until setup is complete and light is operational. For your convenience, the light is fully assembled and ready for operation.

Operation

1. Plug power cord into appropriate size electrical outlet.
2. Turn switch, located at rear underside of light head, to the ON position.
3. Adjust location of light by grasping vinyl coated gooseneck and bending to desired location.

MAINTENANCE

Incandescent

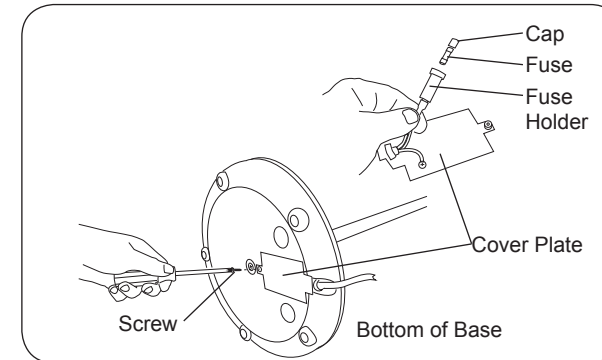


Figure 1. Fuse Location - Incandescent Only

⚠ WARNING

Disconnect power by removing plug from the 115V outlet before changing bulb or fuse. Make sure bulb is cool to the touch.

Fuse Replacement - Incandescent Only

1. Remove cover plate from bottom of base assembly (Figure 1).
- ### ⚠ WARNING
- Electric Shock Hazard
2. Remove fuse cap and fuse from holder.
 3. Replace blown fuse with part no.100892.
 4. Reassemble.

Bulb Replacement - Incandescent

Simply unscrew the bulb from the socket and replace with a new bulb, part no. 001525.

⚠ DANGER

The maximum allowable bulb wattage which can be used is 25 watts. There is risk of fire if the 25 watt limit is exceeded. Use replacement bulb part no. 001525 only.

Halogen

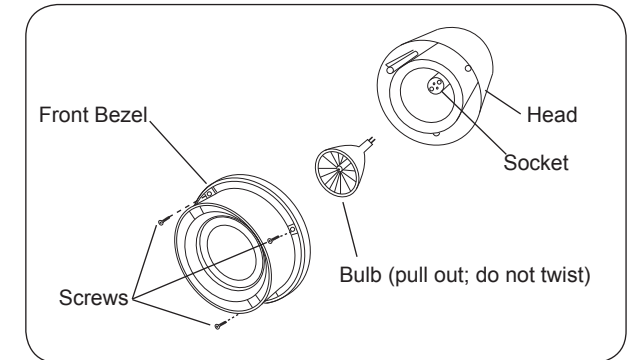


Figure 2. Bulb Replacement - Halogen

Bulb Replacement - Halogen

1. Remove three screws from front bezel (Figure 2).
- ### ⚠ WARNING
- Electric Shock Hazard
2. Pull front bezel and exposed bulb outward to disengage pins.
 3. Install new bulb, part no. Reorder No. 001635. Reinstall bezel and three screws.

⚠ DANGER

The maximum allowable bulb wattage which can be use is 35 watts. There is risk of fire if the 35 watt limit is exceeded. Use replacement bulb part no. 001635 only.

MAINTENANCE

⚠ Caution

Before cleaning or disinfecting the light, remove power from the light and allow optical unit to cool. Clean EXTERNAL SURFACES ONLY. Prevent fluids from leaking into interior or onto electrical contacts. DO NOT ATTEMPT to clean or disinfect interior; instead call an authorized dealer or service technician.

⚠ Caution

Use only ammonia-based germicide to disinfect the light. Staining, pitting, discoloration or softening could occur if phenolic,-iodophor-, or glutaraldehyde-based disinfectant is used on plastic surfaces of the light head.

External Cleaning Procedures

For general cleaning, use a mild detergent and water solution. Wring excess solution from sponge or cloth before wiping.

External Disinfecting Procedures

According to your facility's procedure:

1. Use only ammonia-based germicide to disinfect light.
2. Wring excess solution from cloth.
3. Using a soft cloth, wipe all external surfaces of arm assemblies and light head.
4. DO NOT rinse or dry external surfaces. Allow germicidal solution to air dry.